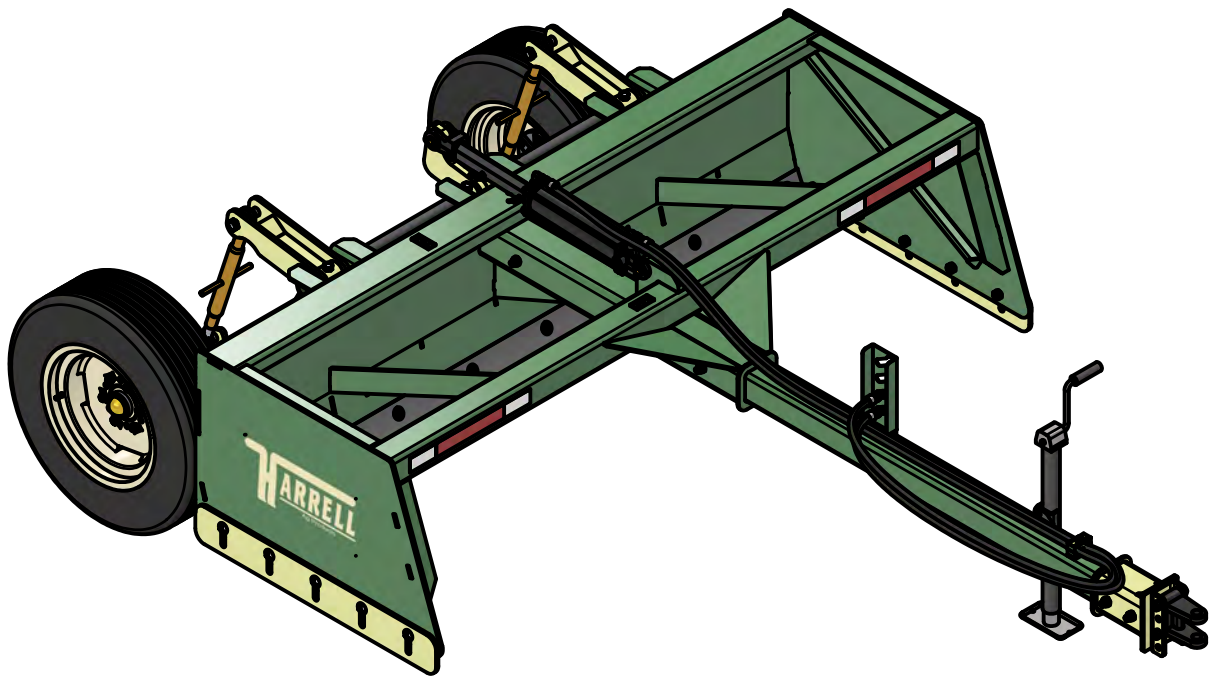




SERIES 55 8' BOX SCRAPER



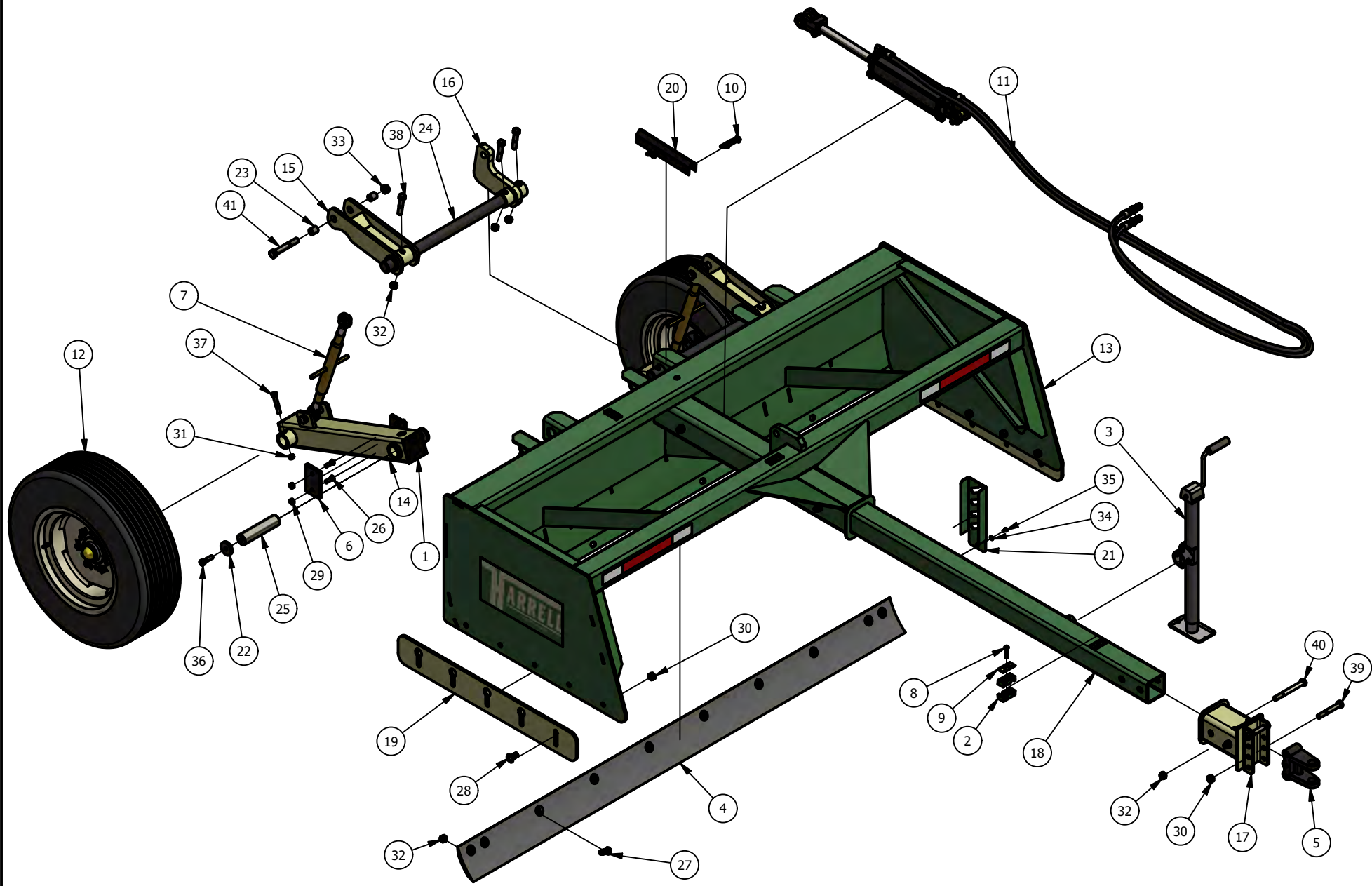
216 INDUSTRIAL BLVD., RAMP 2
BAINBRIDGE, GA 39817
(229) 246-0350
www.harrellag.com

55-PM-001-01

TABLE OF CONTENTS

70-105-55.....	5508 BOX SCRAPER 8FT, MANUAL TILT.....	4
70-106-55.....	5508T BOX SCRAPER 8FT, w/TILT.....	6
83-101-55.....	HYDRAULIC KIT, NO TILT	8
83-105-55.....	HYDRAULIC KIT, WITH TILT	10
84-004-55.....	TIRE/WHEEL/HUB/SPINDLE ASSEMBLY.....	12
84-013-06.....	BOX BLADE HUB	14
MISC PARTS.....		16

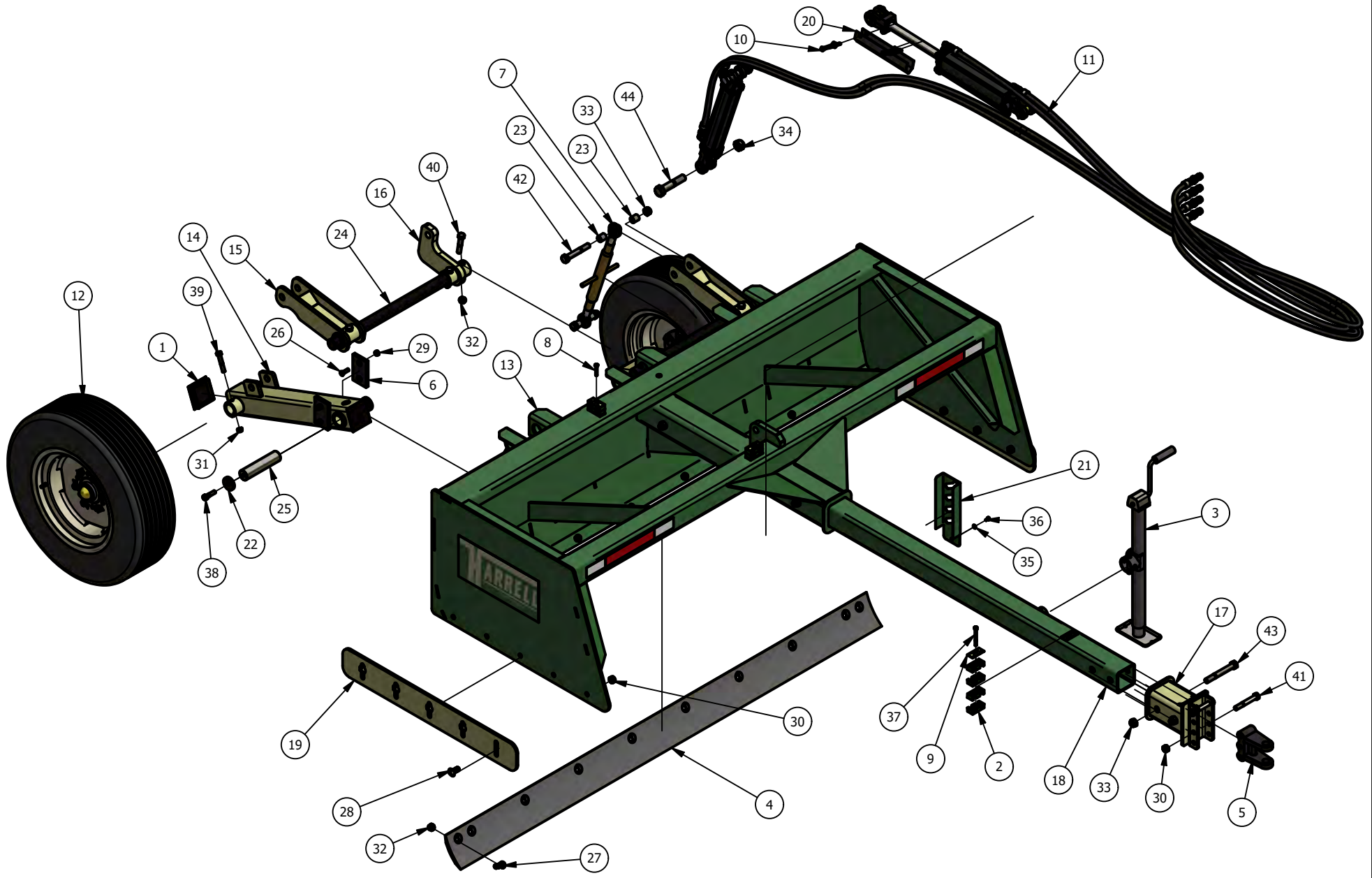
70-105-55
5508 BOX SCRAPER 8FT, MANUAL TILT



55-PM-001-01
4 of 19

ITEM	ITEM QTY	PART NUMBER	DESCRIPTION
1	4	77-005-55	SQUARE PLUG 4"
2	2	79-002-36	TWIN HOSE CLAMP, 3/4"
3	1	79-008-55	JACK TOP WIND SIDE MOUNT 15"
4	1	79-011-55	BLADE, 8' SCRAPER
5	1	79-018-55	DROP PIN HITCH
6	4	79-028-55	UHMW - SCRAPER WEAR PAD
7	2	79-297-82	TURNBUCKLE
8	1	79-496-50	TWIN CLAMP ASSEMBLY BOLT 3/8"X1-3/4" BRASS
9	1	79-497-50	TWIN CLAMP, LARGE TOP
10	2	79-1178-01	WIRE LOCK CLEVIS PIN 3/8X2-1/8
11	1	83-101-55	HYDRAULIC KIT BOX SCRAPER NO TILT
12	2	84-005-55	BOX BLADE 8FT,TIRE/ HUB/SPINDLE ASSEMBLY
13	1	85-049-55	BODY, 8' BOX BLADE
14	2	85-050-55	LIFT WHEEL ARM
15	2	85-053-55	ARM, LIFT WHEEL LIFT
16	1	85-054-55	LUG, LIFT CYL LIFT
17	1	85-061-55	HITCH, TUBE BOLT-ON
18	1	85-062-55	TONGUE, BOX BLADE BOLT-IN
19	2	93-077-55	ADJUSTABLE SIDE PLATE
20	1	93-092-55	HYDRAULIC CYLINDER LOCKOUT
21	1	93-095-55	HYDRAULIC HOSE END HOLDER
22	4	93-096-55	GW SHAFT CAP
23	8	94-059-55	BUSHING, TOP LINK WHEEL
24	2	96-048-55	SHAFT, 8' LIFT WHEEL
25	2	96-053-55	SHAFT, LIFT WHEEL PIVOT
26	8	0315-1414	PLOW BOLT, 7/16x1-1/2 Gr5
27	10	0315-2020	PLOW BOLT, 5/8X2 GR5 ZP
28	10	0516-2014	CARRIAGE BOLT, 5/8X1-1/2
29	8	0812-1400	HEX NUT, 7/16
30	12	0812-2000	HEX NUT, 5/8 ZP
31	4	1412-1600	LOCK NUT, 1/2 STOVER ZP
32	18	1412-2000	LOCK NUT, 5/8 STOVER ZP
33	4	1412-2400	LOCK NUT, 3/4 STOVER ZP
34	1	1702-0800	FLAT WASHER, 1/4 ZP
35	1	2814-0804	HEX HEAD BOLT, 1/4 X 1/2 GR 2 ZP
36	4	2816-1620	HEX HEAD BOLT, 1/2 X 2 GR5 ZP
37	4	2816-1630	HEX HEAD BOLT, 1/2 X 3 GR5 ZP
38	4	2816-2032	HEX HEAD BOLT, 5/8 X 3 1/4 GR5 ZP
39	2	2816-2044	HEX HEAD BOLT, 5/8 X 4 1/2 GR5 ZP
40	4	2816-2060	HEX HEAD BOLT, 5/8 X 6 GR5 ZP
41	4	2816-2450	HEX HEAD BOLT, 3/4 X 5 GR5 ZP

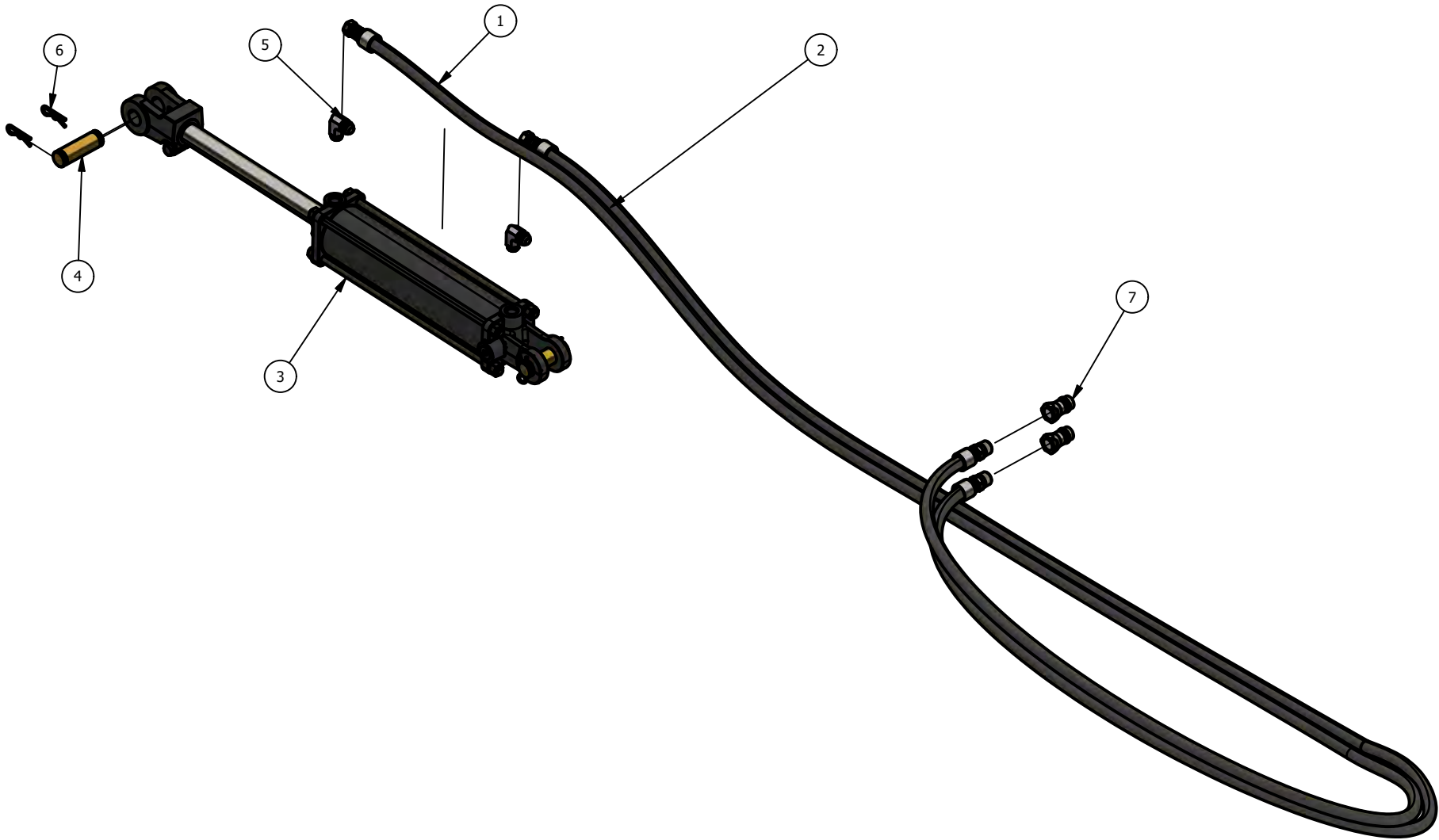
70-106-55 5508T BOX SCRAPER, W/ HYD TILT



55-PM-001-01
6 of 19

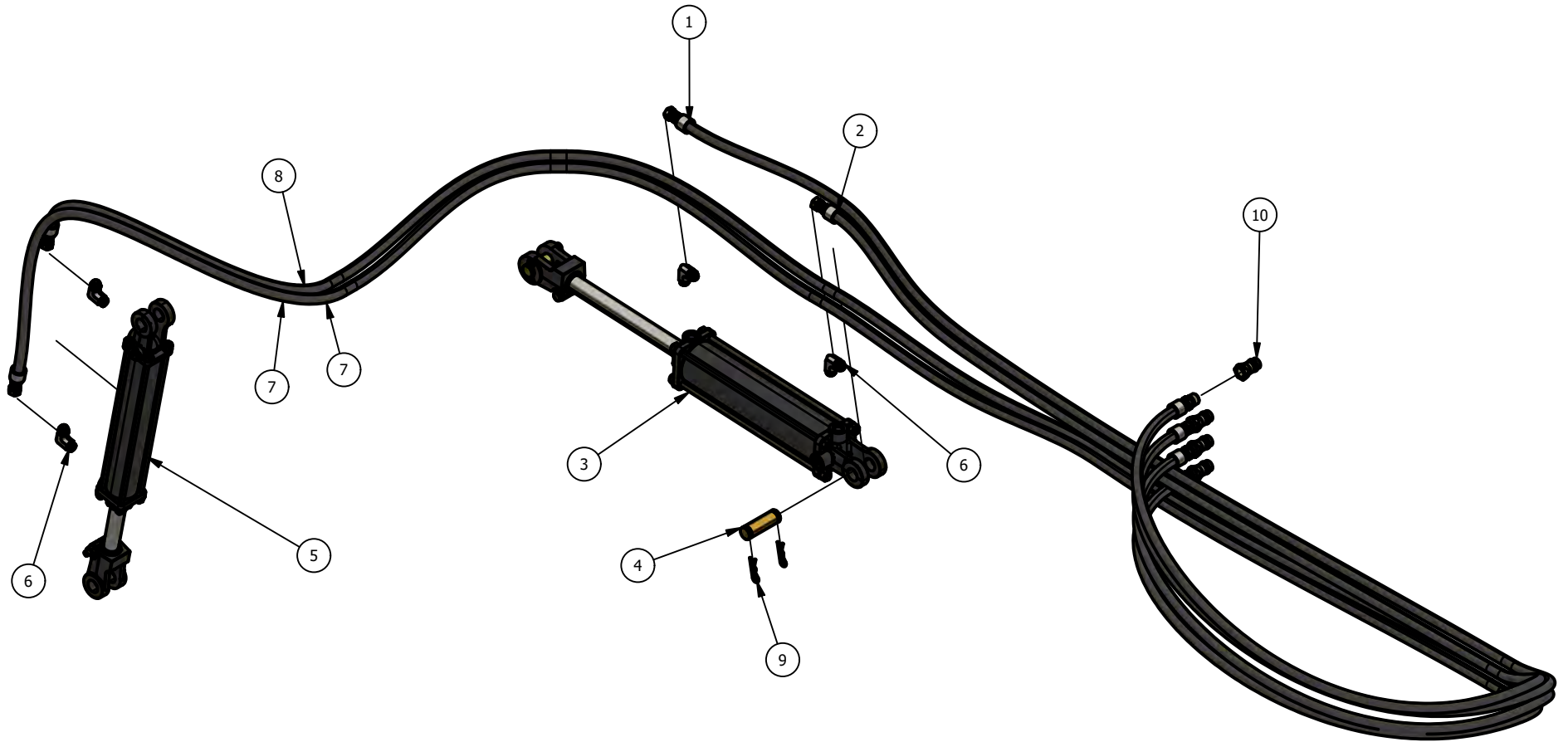
ITEM	ITEM QTY	PART NUMBER	DESCRIPTION
1	4	77-005-55	SQUARE PLUG 4"
2	8	79-002-36	TWIN HOSE CLAMP, 3/4"
3	1	79-008-55	JACK TOP WIND SIDE MOUNT 15"
4	1	79-011-55	BLADE, 8' SCRAPER
5	1	79-018-55	DROP PIN HITCH
6	4	79-028-55	UHMW - SCRAPER WEAR PAD
7	1	79-297-82	TURNBUCKLE
8	2	79-496-50	TWIN CLAMP ASSEMBLY BOLT 3/8"X1-3/4" BRASS
9	3	79-497-50	TWIN CLAMP, LARGE TOP
10	2	79-1178-01	WIRE LOCK CLEVIS PIN 3/8X2-1/8
11	1	83-105-55	HYDRAULIC KIT, 8FT BOX SCRAPER
12	2	84-005-55	BOX BLADE 8FT, TIRE/ HUB/SPINDLE ASSEMBLY
13	1	85-049-55	BODY, 8' BOX BLADE
14	2	85-050-55	LIFT WHEEL ARM
15	2	85-053-55	ARM, LIFT WHEEL LIFT
16	1	85-054-55	LUG, LIFT CYL LIFT
17	1	85-061-55	HITCH, TUBE BOLT-ON
18	1	85-062-55	TONGUE, BOX BLADE BOLT-IN
19	2	93-077-55	ADJUSTABLE SIDE PLATE
20	1	93-092-55	HYDRAULIC CYLINDER LOCKOUT
21	1	93-095-55	HYDRAULIC HOSE END HOLDER
22	4	93-096-55	GW SHAFT CAP
23	4	94-059-55	BUSHING, TOP LINK WHEEL
24	2	96-048-55	SHAFT, 8' LIFT WHEEL
25	2	96-053-55	SHAFT, LIFT WHEEL PIVOT
26	8	0315-1414	PLOW BOLT, 7/16x1-1/2 Gr5
27	10	0315-2020	PLOW BOLT, 5/8X2 GR5 ZP
28	10	0516-2014	CARRIAGE BOLT, 5/8X1-1/2
29	8	0812-1400	HEX NUT, 7/16
30	12	0812-2000	HEX NUT, 5/8 ZP
31	4	1412-1600	LOCK NUT, 1/2 STOVER ZP
32	14	1412-2000	LOCK NUT, 5/8 STOVER ZP
33	6	1412-2400	LOCK NUT, 3/4 STOVER ZP
34	2	1412-3200	LOCK NUT, 1 STOVER ZP
35	1	1702-0800	FLAT WASHER, 1/4 ZP
36	1	2814-0804	HEX HEAD BOLT, 1/4 X 1/2 GR 2 ZP
37	1	2816-1032	HEX HEAD BOLT, 5/16 X 3-1/4" GR5 ZP
38	4	2816-1620	HEX HEAD BOLT, 1/2 X 2 GR5 ZP
39	4	2816-1630	HEX HEAD BOLT, 1/2 X 3 GR5 ZP
40	4	2816-2032	HEX HEAD BOLT, 5/8 X 3 1/4 GR5 ZP
41	2	2816-2044	HEX HEAD BOLT, 5/8 X 4 1/2 GR5 ZP
42	2	2816-2450	HEX HEAD BOLT, 3/4 X 5 GR5 ZP
43	4	2816-2460	HEX HEAD BOLT, 3/4 X 6 GR5 ZP
44	2	2816-3250	HEX HEAD BOLT, 1 X 5 GR5 ZP

83-101-55
HYDRAULIC KIT BOX SCRAPER NO TILT



ITEM	ITEM QTY	PART NUMBER	DESCRIPTION
1	1	79-001-55	HYD HOSE 3/8"x156"
2	1	79-002-55	HYD HOSE 3/8"x141"
3	1	79-003-55	HYD CYLINDER, 3"x12"
4	2	79-006-06	CLEVIS PIN - 1" DIA. X 3-1/4"
5	2	79-013-55	ELBOW, 3/8 MJIC - 3/8 MP
6	4	79-043-06	1/8" HAIR PIN
7	2	79-482-36	QUICK-CONNECT

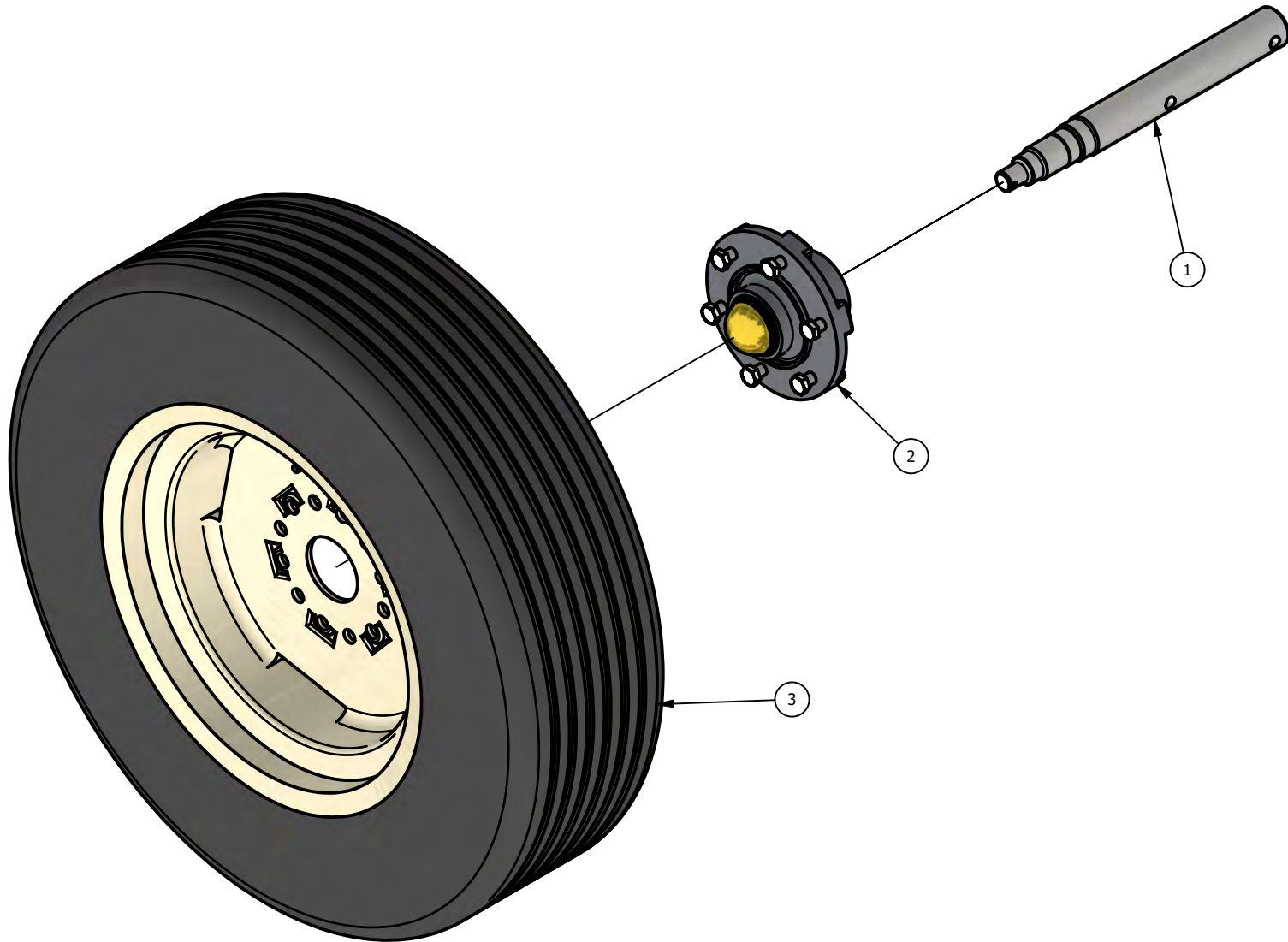
83-103-55
HYDRAULIC KIT, BOX SCRAPER W/TILT 10/12ft



ITEM	ITEM QTY	PART NUMBER	DESCRIPTION
1	1	77-001-55	HYD HOSE 3/8"x154"
2	1	77-002-55	HYD HOSE 3/8"x139"
3	1	79-003-55	HYD CYLINDER, 3"X12"
4	2	79-006-06	CLEVIS PIN - 1" DIA. X 3-1/4"
5	1	79-012-55*	HYD CYLINDER 2"X12"
6	4	79-013-55	ELBOW, 3/8 MJIC - 3/8 MP
7	1	79-016-55*	HYD HOSE 3/8x240"
8	1	79-017-55*	HYD HOSE 3/8"x233"
9	4	79-043-06	1/8" HAIR PIN
10	4	79-482-36*	QUICK-CONNECT

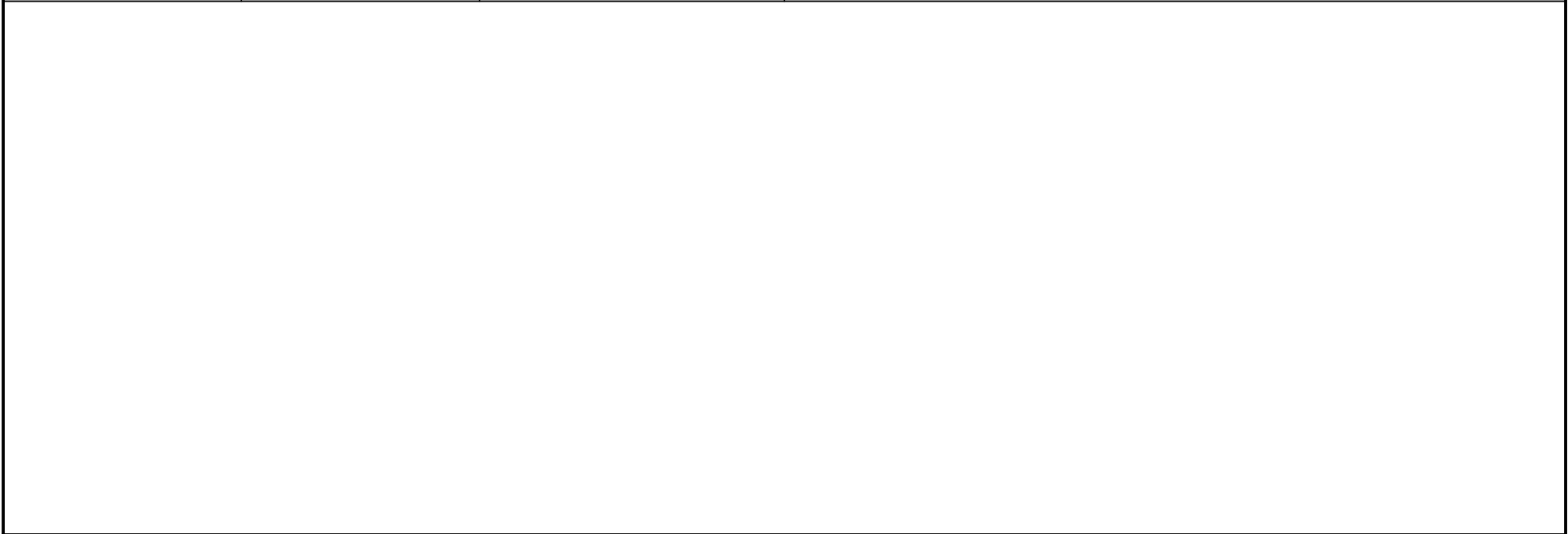
** PARTS INCLUDED IN HYDRAULIC TILT ADD ON KIT 83-104-55*

84-005-55
BOX BLADE 8FT, TIRE/ HUB/SPINDLE ASSEMBLY



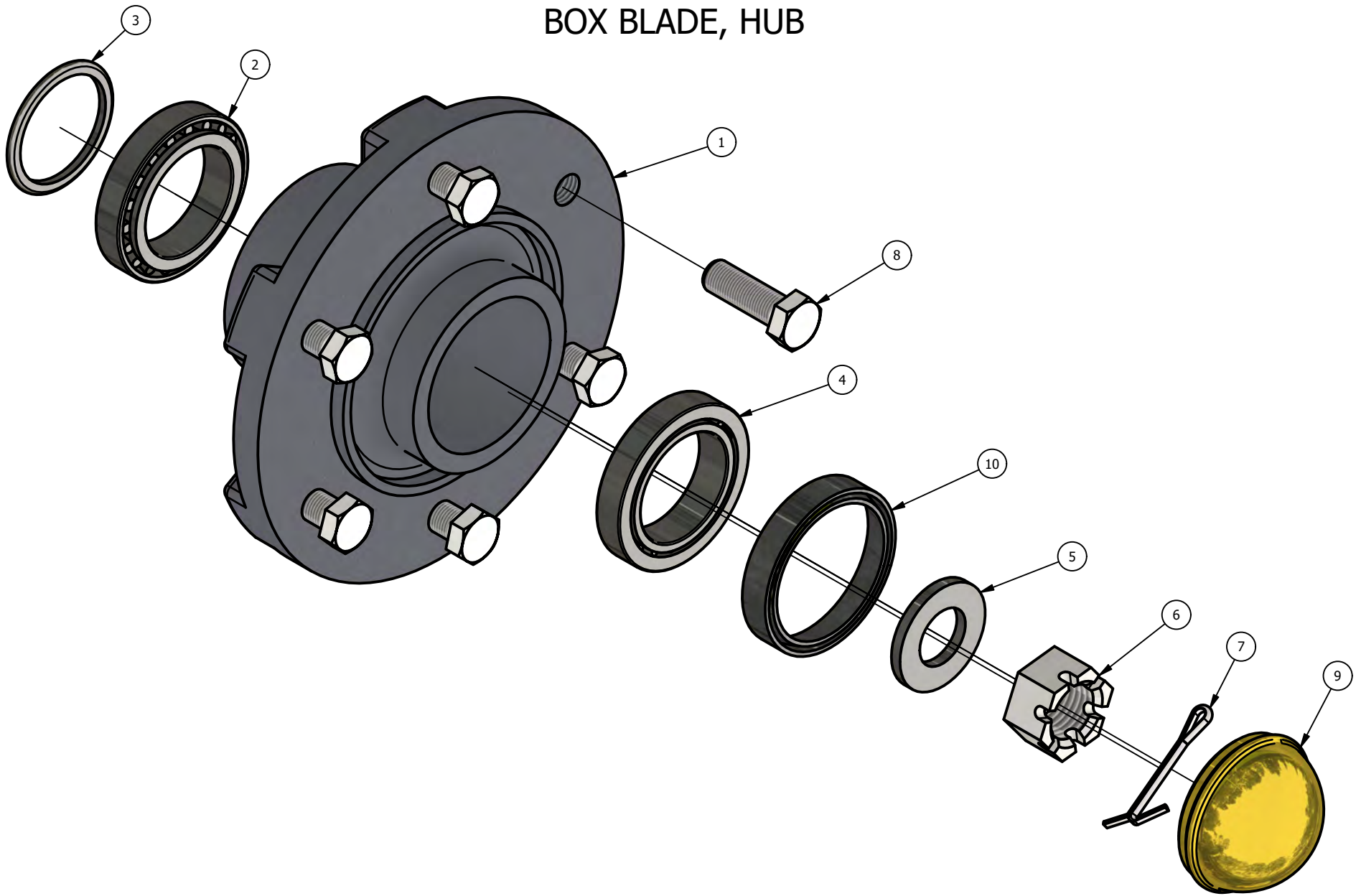


ITEM	ITEM QTY	PART NUMBER	DESCRIPTION
1	1	77-003-55	SPINDLE, PULL TYPE BOX BLADE SINGLE TIRE
2	1	84-013-06	BOX BLADE, HUB ASSEMBLY
3	1	84-2804-01	TIRE / WHEEL ASSEMBLY



55-PM-001-01
13 of 19

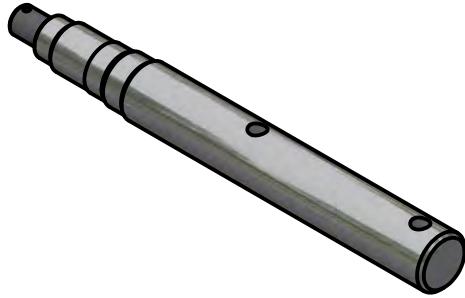
84-013-06 BOX BLADE, HUB



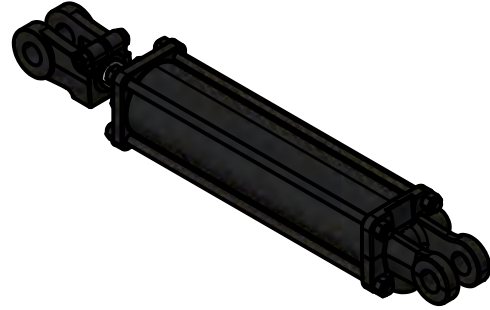
55-PM-001-01
15 of 19

ITEM	ITEM QTY	PART NUMBER	DESCRIPTION
1	1	77-001-02	6 BOLT HUB W/RACES - PICTORIAL
2	1	77-007-02	INNER ROLLER BEARING - PICTORIAL
3	1	77-006-02	HUB SEAL - PICTORIAL
4	1	77-008-02	OUTER ROLLER BEARING - PICTORIAL
5	1	77-005-02	SPINDLE WASHER - PICTORIAL
6	1	77-004-02	SPINDLE NUT - PICTORIAL
7	1	77-011-02	COTTER PIN - PICTORIAL
8	6	77-013-02	LUG BOLT 1/2-20 - PICTORIAL
9	1	77-012-02	DUST CAP - PICTORIAL
10	1	77-010-02	OUTER RACE - PICTORIAL

77-003-55
SPINDLE, PULL TYPE BOX BLADE SINGLE TIRE



79-003-55
HYD CYLINDER, 3"X12"



79-011-55
BLADE, 8' SCRAPER



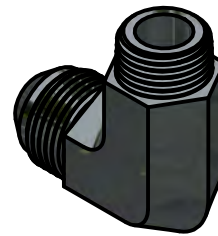
79-008-55
JACK TOP WIND SIDE MOUNT 15"



79-012-55
HYD CYLINDER 2"X12"

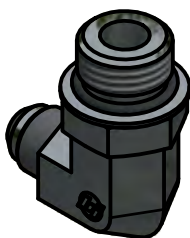


79-013-55
ELBOW, 3/8 MJIC - 3/8 MP



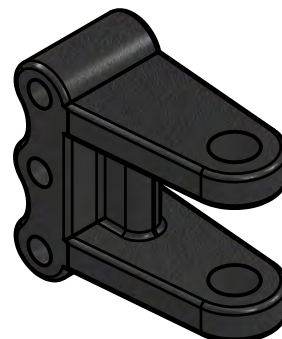
**FOR TIE ROD CYLINDERS ONLY*

77-002-75
ELBOW, 1/2 MORB-3/8 MJIC



**FOR WELDED CYLINDERS ONLY*

79-018-55
DROP PIN HITCH



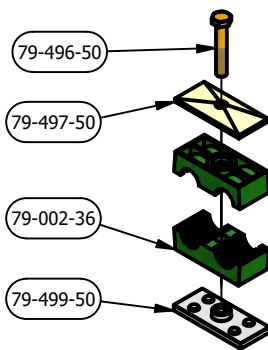
79-297-82
ADJUSTABLE TOP LINK



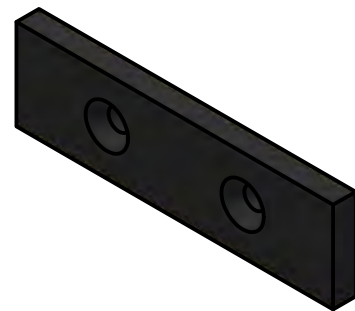
79-482-36
QUICK-CONNECT



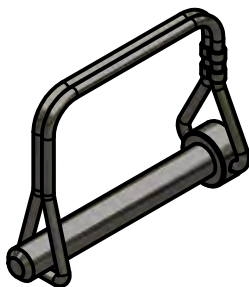
79-001-36
TWIN HOSE CLAMP ASSEMBLY 3/4"



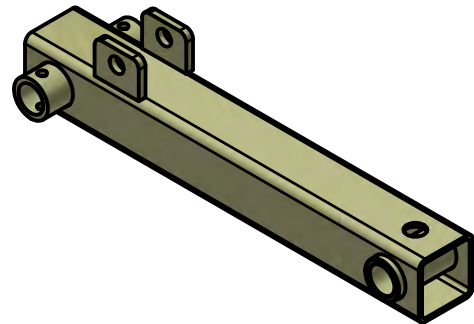
79-203-36
SLIDE WEAR PAD, FRONT SHANK



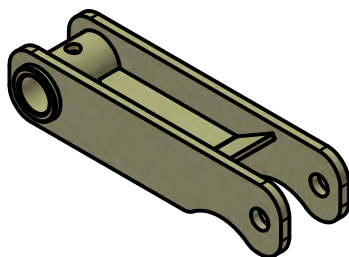
79-1178-01
WIRE LOCK CLEVIS PIN 3/8X2-1/8



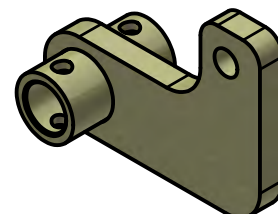
85-050-55
LIFT WHEEL ARM



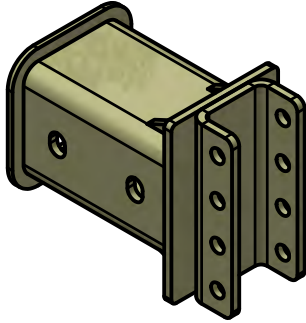
85-053-55
ARM, LIFT WHEEL LIFT



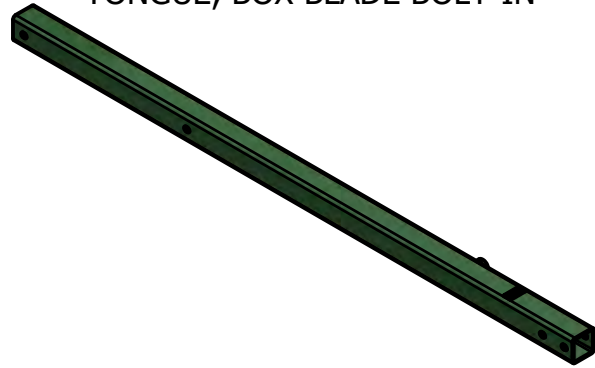
85-054-55
LUG, LIFT CYL LIFT



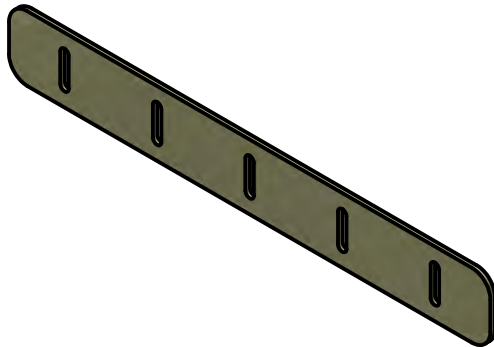
85-061-55
HITCH, TUBE BOLT-ON



85-062-55
TONGUE, BOX BLADE BOLT-IN



93-077-55
ADJUSTABLE SIDE PLATE



93-092-55
HYDRAULIC CYLINDER LOCKOUT



93-095-55
HYDRAULIC HOSE END HOLDER



93-096-55
GW SHAFT CAP



94-059-55
BUSHING, TOP LINK WHEEL



96-053-55
SHAFT, LIFT WHEEL PIVOT



96-049-55
SHAFT, LIFT WHEEL, 8'



HYDRAULIC HOSES

LIFT RETRACT; 79-001-55

LIFT EXTEND; 79-002-55

TILT RETRACT; 79-016-55

TILT EXTEND; 79-017-55