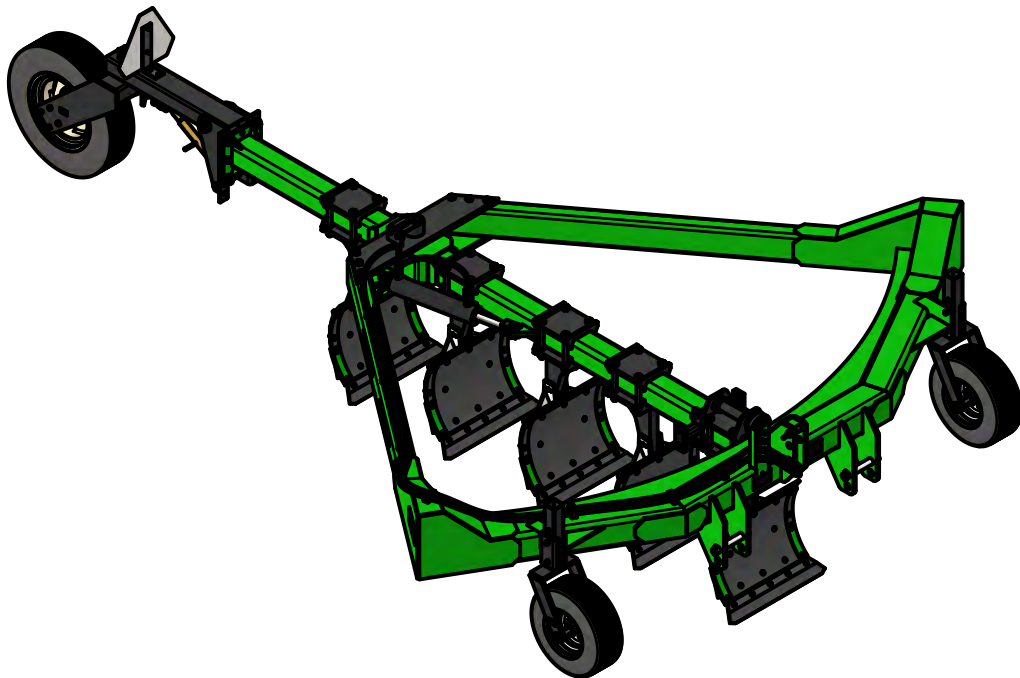




6300 ON LAND PLOW ASSEMBLY & PARTS BOOK



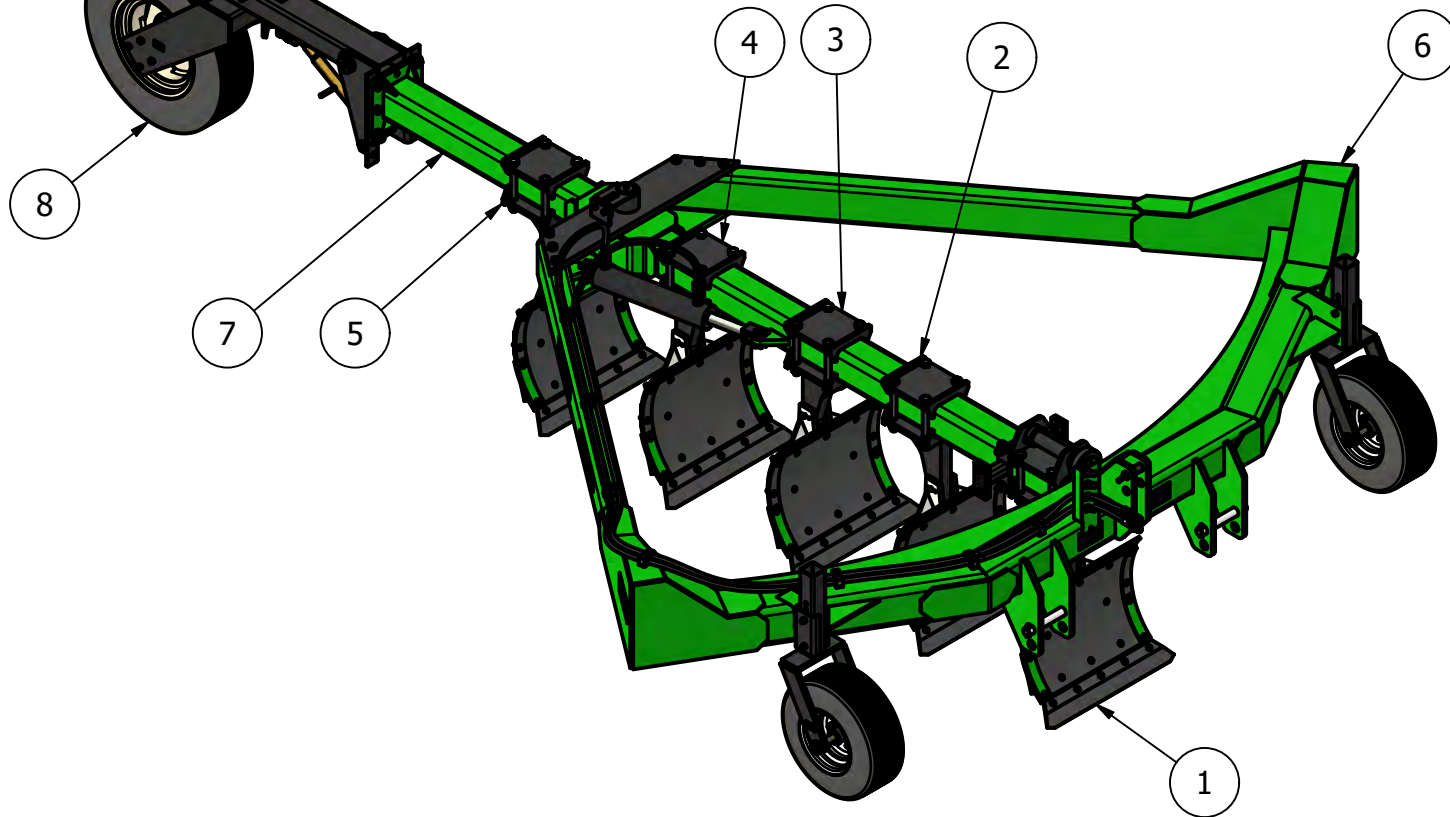
216 INDUSTRIAL BLVD., RAMP 2
BAINBRIDGE, GA 39817
(229) 246-0350
www.harrellag.com

TABLE OF CONTENTS

6305 - 5 BOTTOM.....3
6306 - 6 BOTTOM.....4
6307 - 7 BOTTOM.....5
6308 - 8 BOTTOM.....6
72-001-63.....7
72-002-63.....8
72-003-63.....9
72-004-63.....10
72-005-63.....11
83-001-63.....12
83-002-63.....14
83-003-63.....16
83-003-36.....17
83-004-63.....18
84-214-36.....19
84-1000-63.....20
84-003-63.....22
84-1006-63.....23
84-1007-63.....24
84-1009-63.....25
84-1012-63.....26

6305 - 5 BOTTOM

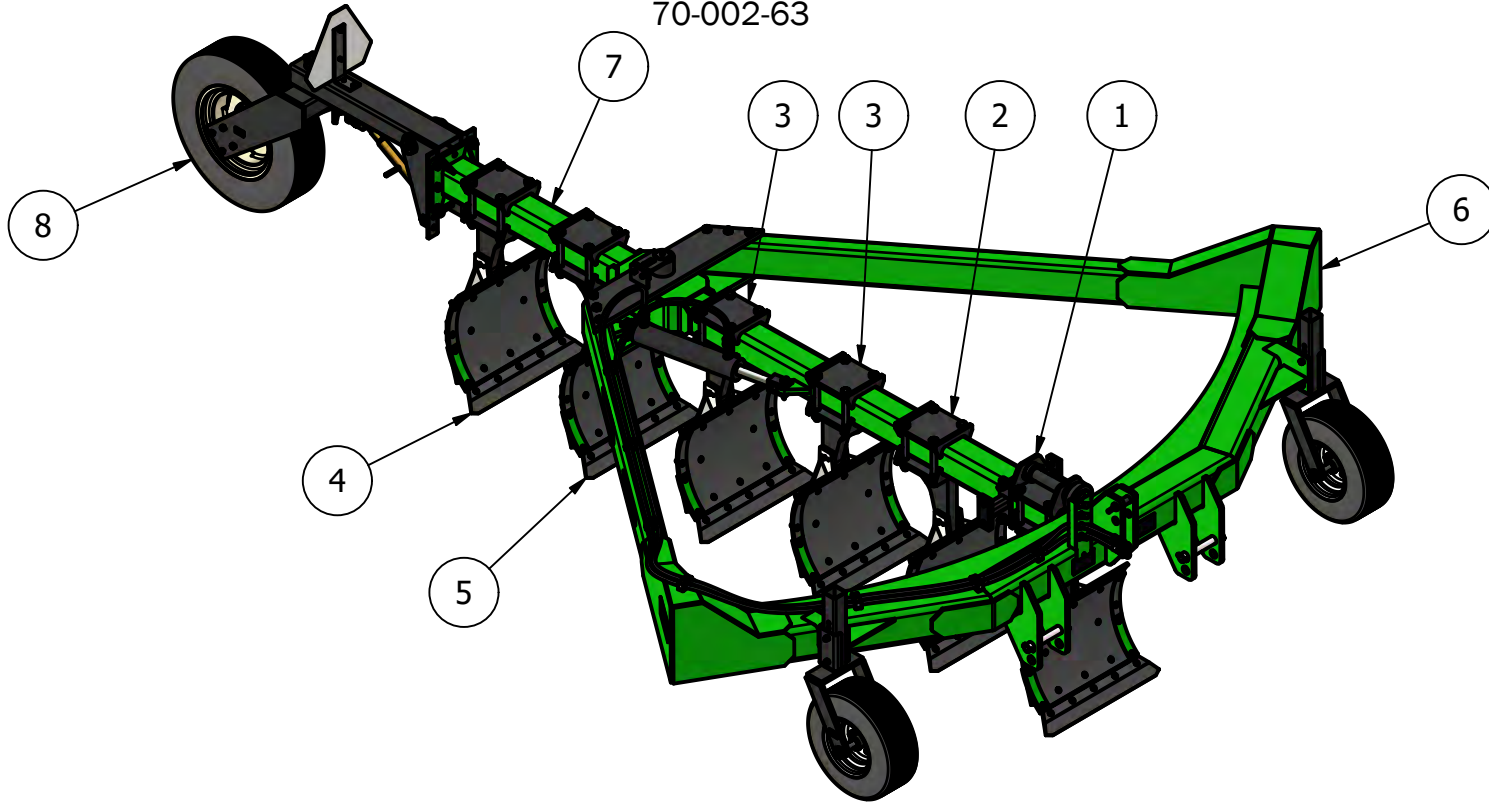
70-001-63



ITEM	ITEM QTY	PART NUMBER	DESCRIPTION
1	1	72-001-63	6300 SWITCH PLOW - FRONT BOTTOM KIT
2	1	72-002-63	6300 SWITCH PLOW - FORWARD INTERMEDIATE BOTTOM KIT
3	1	72-003-63	6300 SWITCH PLOW - REVERSE INTERMEDIATE BOTTOM KIT
4	1	72-004-63	6300 SWITCH PLOW - REVERSE REAR BOTTOM KIT
5	1	72-005-63	6300 SWITCH PLOW - FORWARD REAR BOTTOM KIT
6	1	83-001-63	6300 SWITCH PLOW - FRAME BUNDLE
7	1	83-003-63	6300 TOOL BAR
8	1	83-004-63	6300, 9400 SWITCH PLOW - REAR GAUGE WHEEL BUNDLE

6306 - 6 BOTTOM

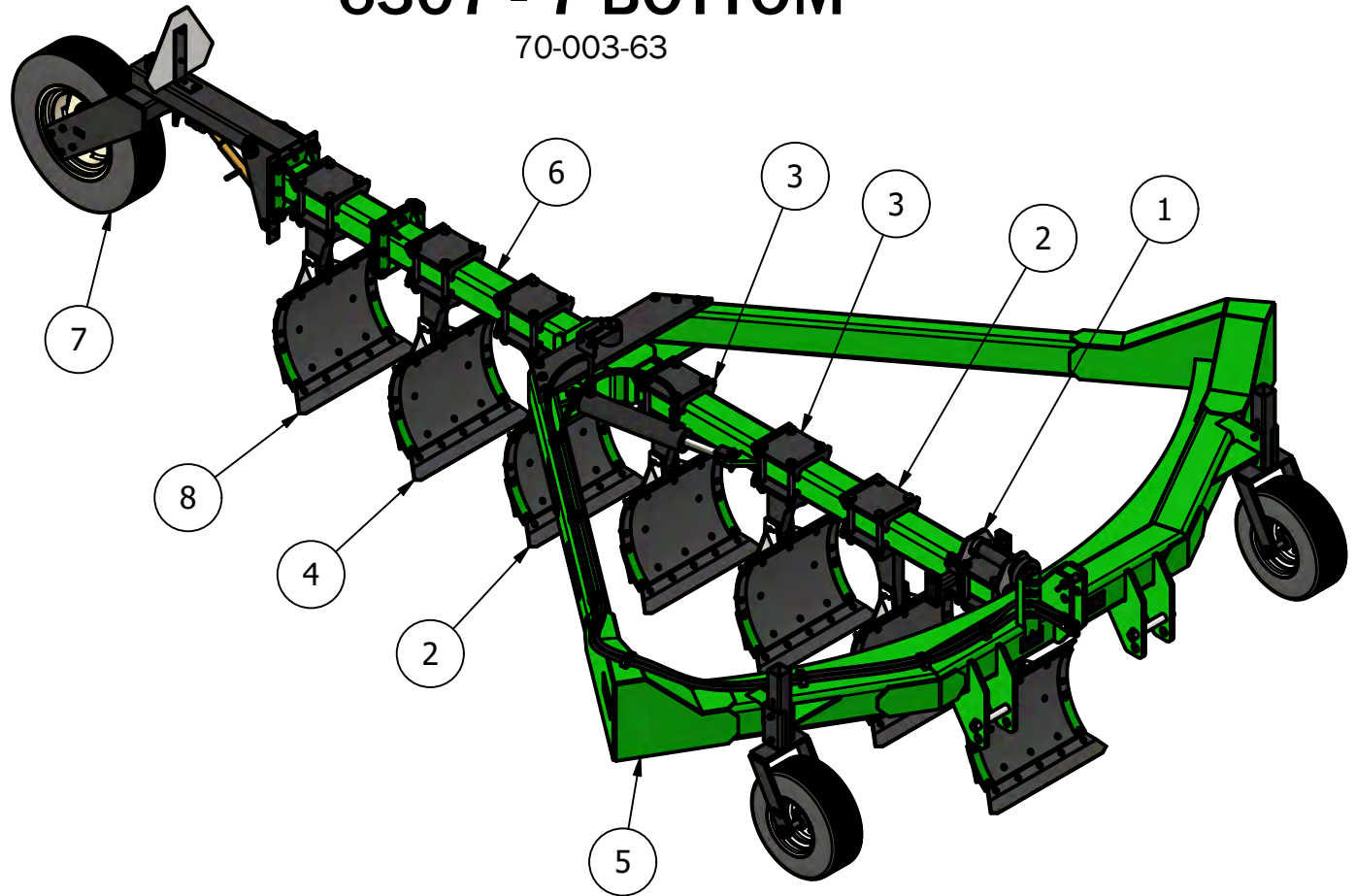
70-002-63



ITEM	ITEM QTY	PART NUMBER	DESCRIPTION
1	1	72-001-63	6300 SWITCH PLOW - FRONT BOTTOM KIT
2	1	72-002-63	6300 SWITCH PLOW - FORWARD INTERMEDIATE BOTTOM KIT
3	2	72-003-63	6300 SWITCH PLOW - REVERSE INTERMEDIATE BOTTOM KIT
4	1	72-004-63	6300 SWITCH PLOW - REVERSE REAR BOTTOM KIT
5	1	72-005-63	6300 SWITCH PLOW - FORWARD REAR BOTTOM KIT
6	1	83-001-63	6300 SWITCH PLOW - FRAME BUNDLE
7	1	83-003-63	6300 TOOL BAR
8	1	83-004-63	6300, 9400 SWITCH PLOW - REAR GAUGE WHEEL BUNDLE

6307 - 7 BOTTOM

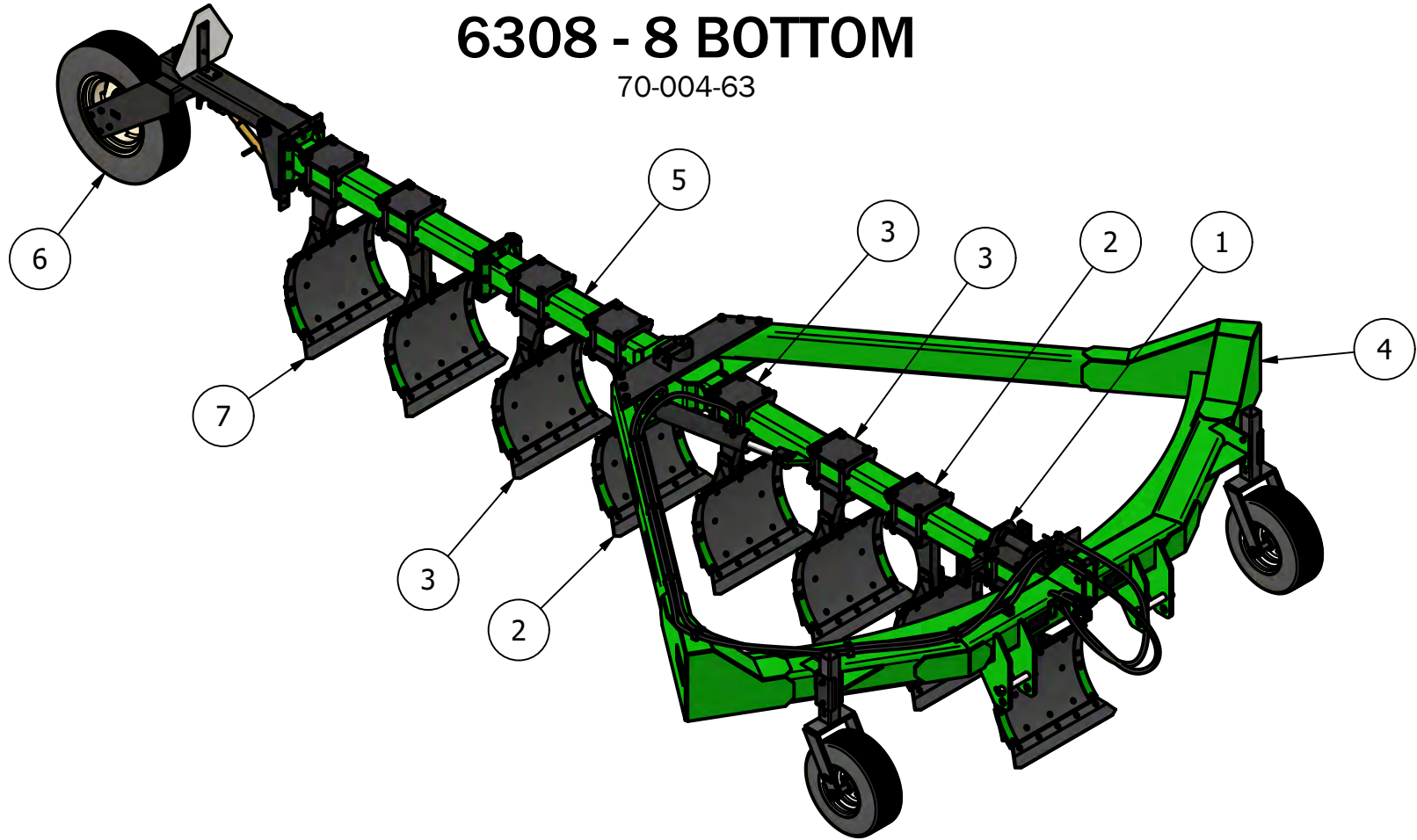
70-003-63



ITEM	ITEM QTY	PART NUMBER	DESCRIPTION
1	1	72-001-63	6300 SWITCH PLOW - FRONT BOTTOM KIT
2	2	72-002-63	6300 SWITCH PLOW - FORWARD INTERMEDIATE BOTTOM KIT
3	2	72-003-63	6300 SWITCH PLOW - REVERSE INTERMEDIATE BOTTOM KIT
4	1	72-004-63	6300 SWITCH PLOW - REVERSE REAR BOTTOM KIT
5	1	83-001-63	6300 SWITCH PLOW - FRAME BUNDLE
6	1	83-003-63	6300 TOOL BAR
7	1	83-004-63	6300, 9400 SWITCH PLOW - REAR GAUGE WHEEL BUNDLE
8	1	84-1009-63	6300 SWITCH PLOW - 1 BOTTOM EXTENSION KIT ASSEMBLY

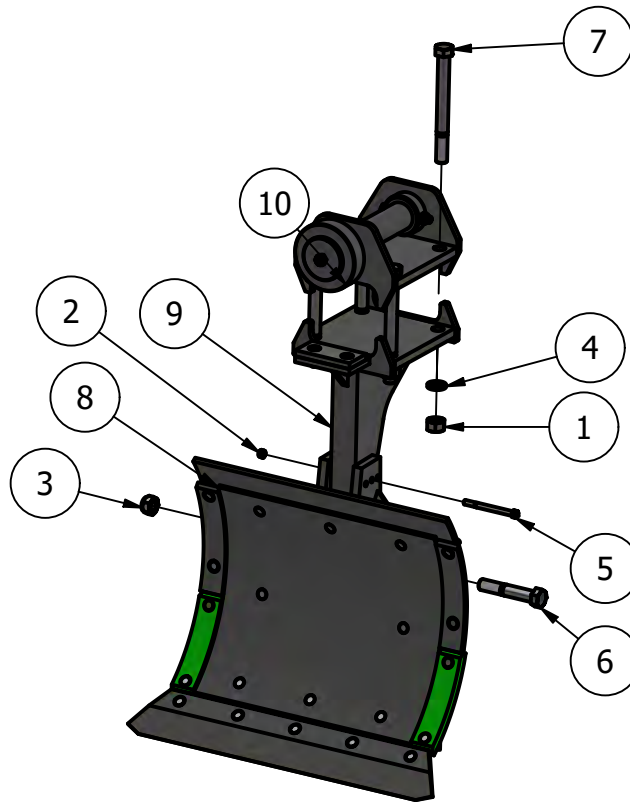
6308 - 8 BOTTOM

70-004-63



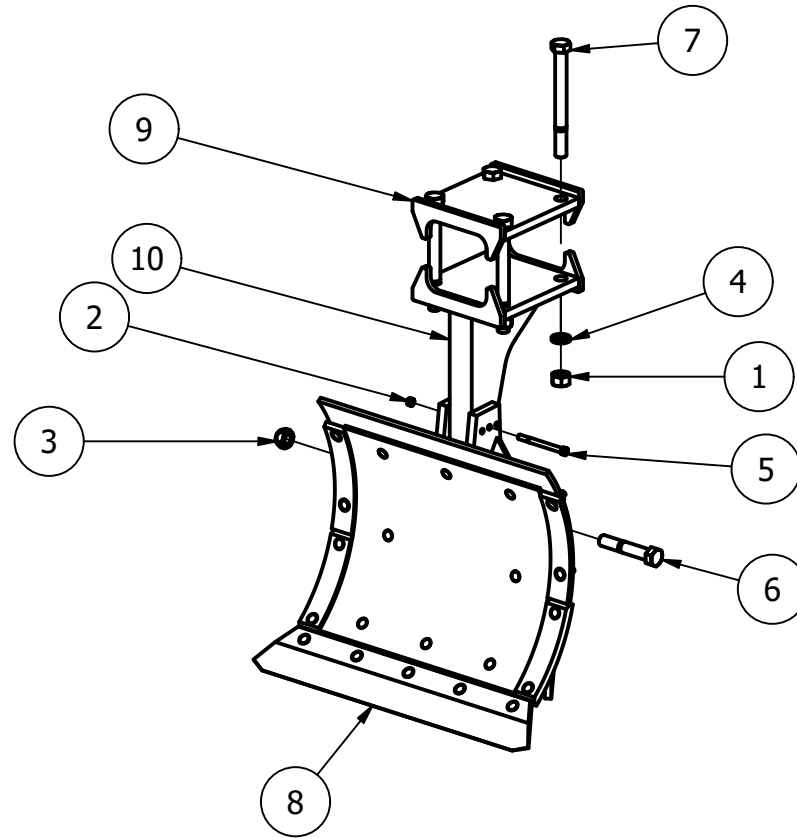
ITEM	ITEM QTY	PART NUMBER	DESCRIPTION
1	1	72-001-63	6300 SWITCH PLOW - FRONT BOTTOM KIT
2	2	72-002-63	6300 SWITCH PLOW - FORWARD INTERMEDIATE BOTTOM KIT
3	3	72-003-63	6300 SWITCH PLOW - REVERSE INTERMEDIATE BOTTOM KIT
4	1	83-002-63	6308 SWITCH PLOW - FRAME BUNDLE
5	1	83-003-63	6300 TOOL BAR
6	1	83-004-63	6300, 9400 SWITCH PLOW - REAR GAUGE WHEEL BUNDLE
7	1	84-1012-63	6308 SWITCH PLOW - 2 BOTTOM EXTENSION KIT

72-001-63



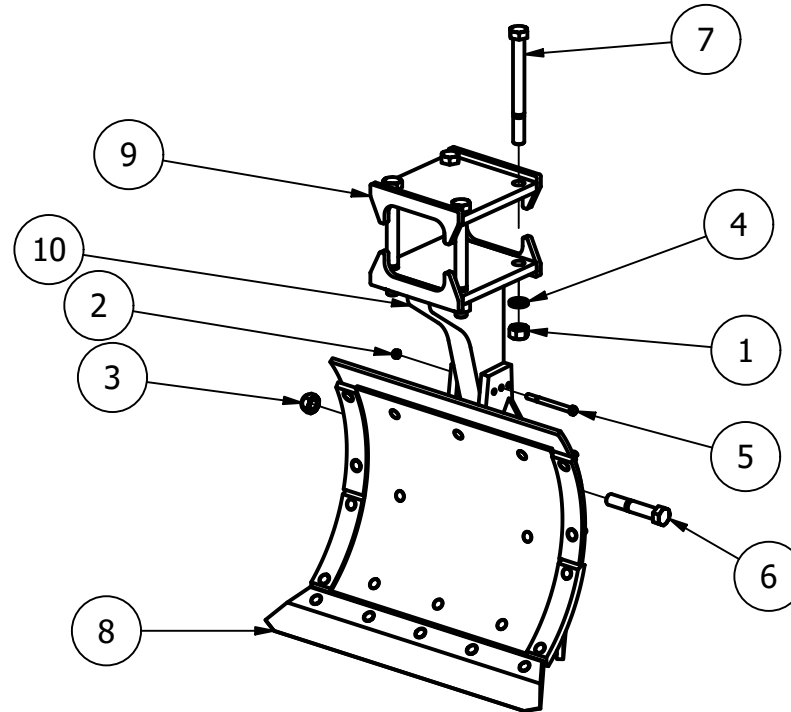
ITEM	ITEM QTY	PART NUMBER	DESCRIPTION
1	4	0812-2800	HEX NUT, 7/8
2	1	1412-1200	LOCK NUT, 3/8 STOVER ZP
3	1	1412-2800	LOCK NUT, 7/8 STOVER ZP
4	4	1602-2800	LOCK WASHER, 7/8 ZP
5	1	2816-1244	HEX HEAD BOLT, 3/8 X 4 1/2 GR5 ZP
6	1	2816-2850	HEX HEAD BOLT, 7/8 X 5 GR5 ZP
7	4	2816-2890	HEX HEAD BOLT, 7/8 X 9 GR5 ZP
8	1	83-003-36	INTERMEDIATE MOLD BOARD W/ SHORT SLIDES - BUNDLE
9	1	84-1007-63	FRONT SHANK ASSEMBLY
10	1	84-214-36	TOOL BAR PIVOT ROLLER ASSEMBLY

72-002-63



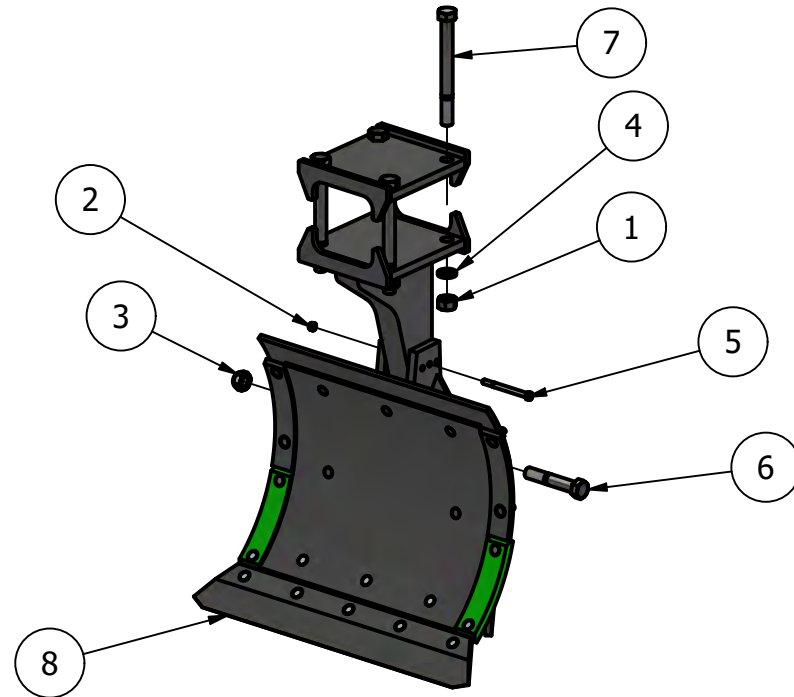
ITEM	ITEM QTY	PART NUMBER	DESCRIPTION
1	4	0812-2800	HEX NUT, 7/8
2	1	1412-1200	LOCK NUT, 3/8 STOVER ZP
3	1	1412-2800	LOCK NUT, 7/8 STOVER ZP
4	4	1602-2800	LOCK WASHER, 7/8 ZP
5	1	2816-1244	HEX HEAD BOLT, 3/8 X 4 1/2 GR5 ZP
6	1	2816-2850	HEX HEAD BOLT, 7/8 X 5 GR5 ZP
7	4	2816-2890	HEX HEAD BOLT, 7/8 X 9 GR5 ZP
8	1	83-003-36	INTERMEDIATE MOLD BOARD W/ SHORT SLIDES - BUNDLE
9	1	85-017-36	TOP PLATE WELDMENT, 6" TOOL BAR
10	1	85-222-36	INTERMEDIATE SHANK WELDMENT

72-003-63



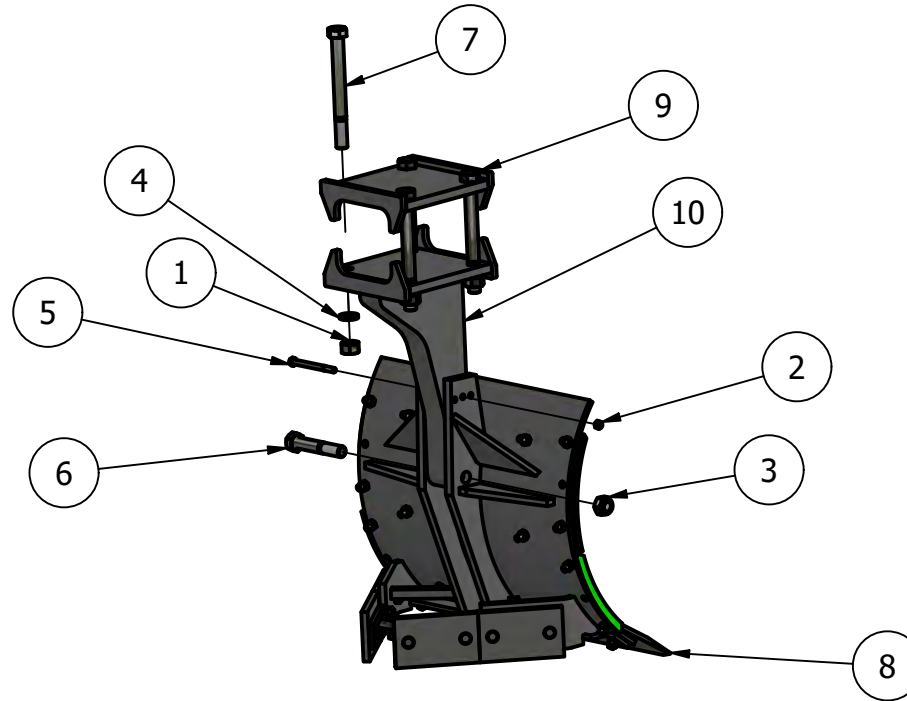
ITEM	ITEM QTY	PART NUMBER	DESCRIPTION
1	4	0812-2800	HEX NUT, 7/8
2	1	1412-1200	LOCK NUT, 3/8 STOVER ZP
3	1	1412-2800	LOCK NUT, 7/8 STOVER ZP
4	4	1602-2800	LOCK WASHER, 7/8 ZP
5	1	2816-1244	HEX HEAD BOLT, 3/8 X 4 1/2 GR5 ZP
6	1	2816-2850	HEX HEAD BOLT, 7/8 X 5 GR5 ZP
7	4	2816-2890	HEX HEAD BOLT, 7/8 X 9 GR5 ZP
8	1	83-003-36	INTERMEDIATE MOLD BOARD W/ SHORT SLIDES - BUNDLE
9	1	85-017-36	TOP PLATE WELDMENT, 6" TOOL BAR
10	1	85-222-36	INTERMEDIATE SHANK WELDMENT

72-004-63



ITEM	ITEM QTY	PART NUMBER	DESCRIPTION
1	4	0812-2800	HEX NUT, 7/8
2	1	1412-1200	LOCK NUT, 3/8 STOVER ZP
3	1	1412-2800	LOCK NUT, 7/8 STOVER ZP
4	4	1602-2800	LOCK WASHER, 7/8 ZP
5	1	2816-1244	HEX HEAD BOLT, 3/8 X 4 1/2 GR5 ZP
6	1	2816-2850	HEX HEAD BOLT, 7/8 X 5 GR5 ZP
7	4	2816-2890	HEX HEAD BOLT, 7/8 X 9 GR5 ZP
8	1	83-206-36	REAR MOLD BOARD W/ LONG SLIDES - BUNDLE
9	1	85-017-36	TOP PLATE WELDMENT, 6" TOOL BAR
10	1	85-222-36	INTERMEDIATE SHANK WELDMENT

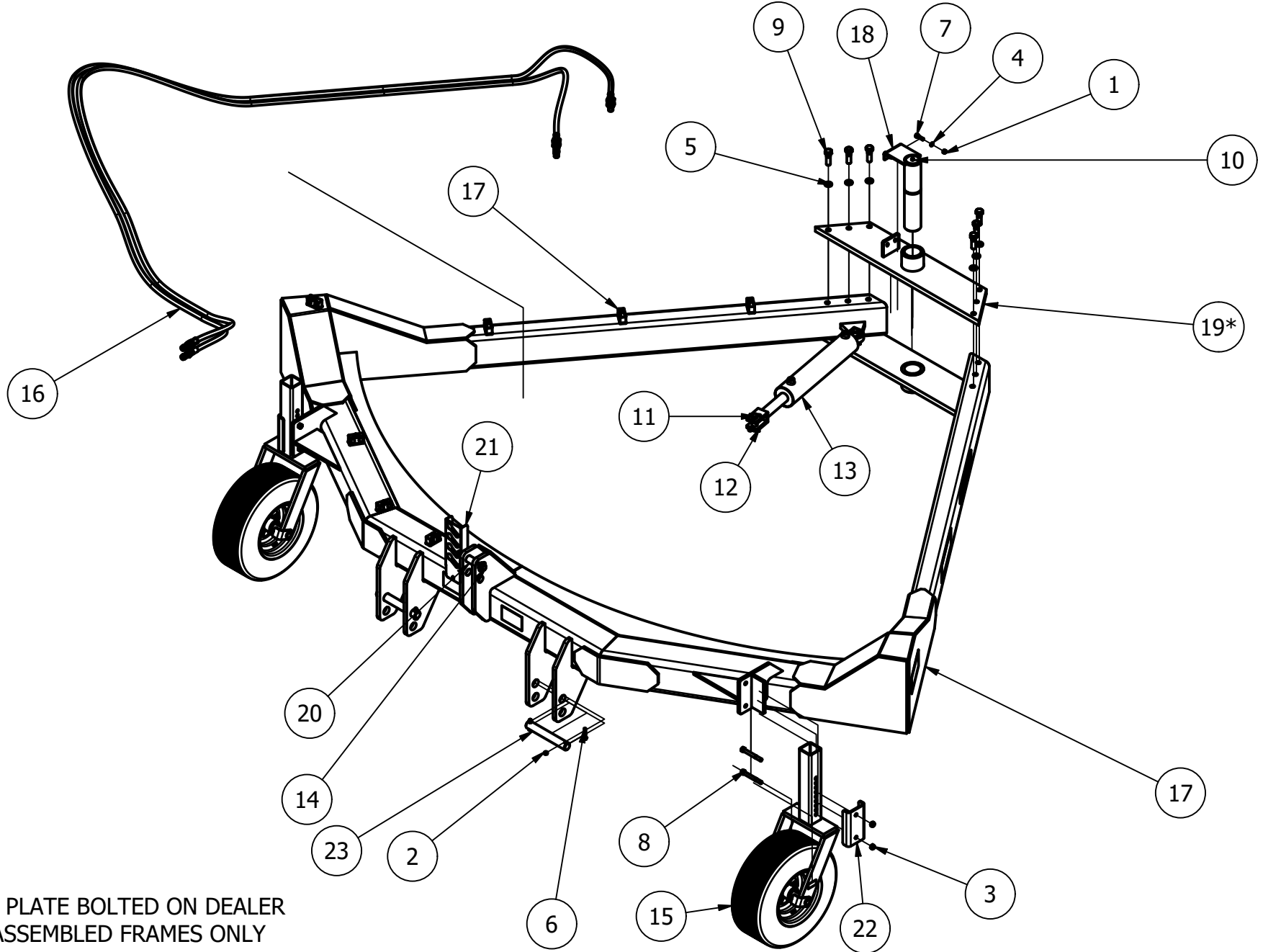
72-005-63



72-005-63 PARTS LIST

ITEM	ITEM QTY	PART NUMBER	DESCRIPTION
1	4	0812-2800	HEX NUT, 7/8
2	1	1412-1200	LOCK NUT, 3/8 STOVER ZP
3	1	1412-2800	LOCK NUT, 7/8 STOVER ZP
4	4	1602-2800	LOCK WASHER, 7/8 ZP
5	1	2816-1244	HEX HEAD BOLT, 3/8 X 4 1/2 GR5 ZP
6	1	2816-2850	HEX HEAD BOLT, 7/8 X 5 GR5 ZP
7	4	2816-2890	HEX HEAD BOLT, 7/8 X 9 GR5 ZP
8	1	83-206-36	REAR MOLD BOARD W/ LONG SLIDES - BUNDLE
9	1	85-017-36	TOP PLATE WELDMENT, 6" TOOL BAR
10	1	85-222-36	INTERMEDIATE SHANK WELDMENT

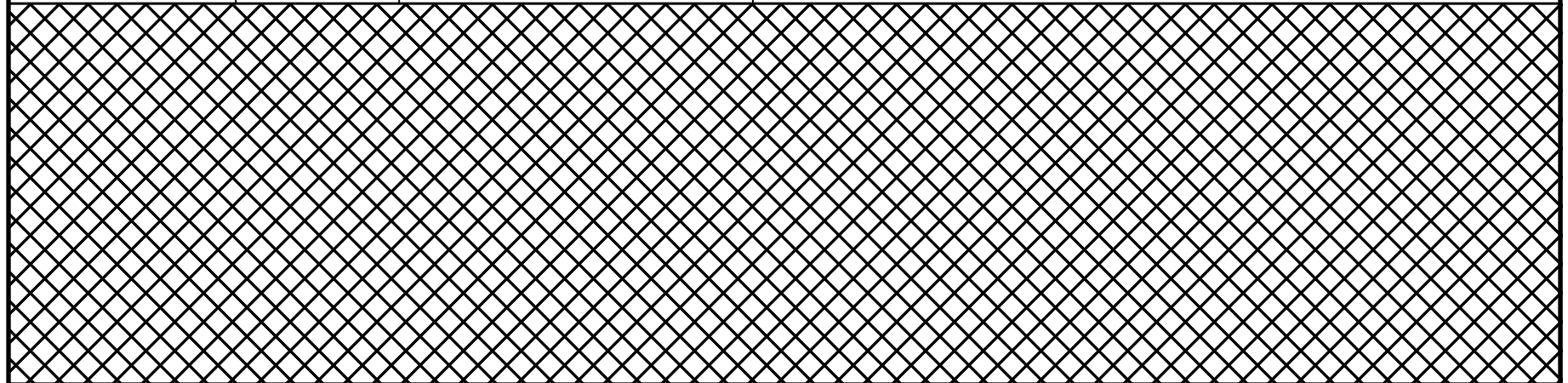
83-001-63



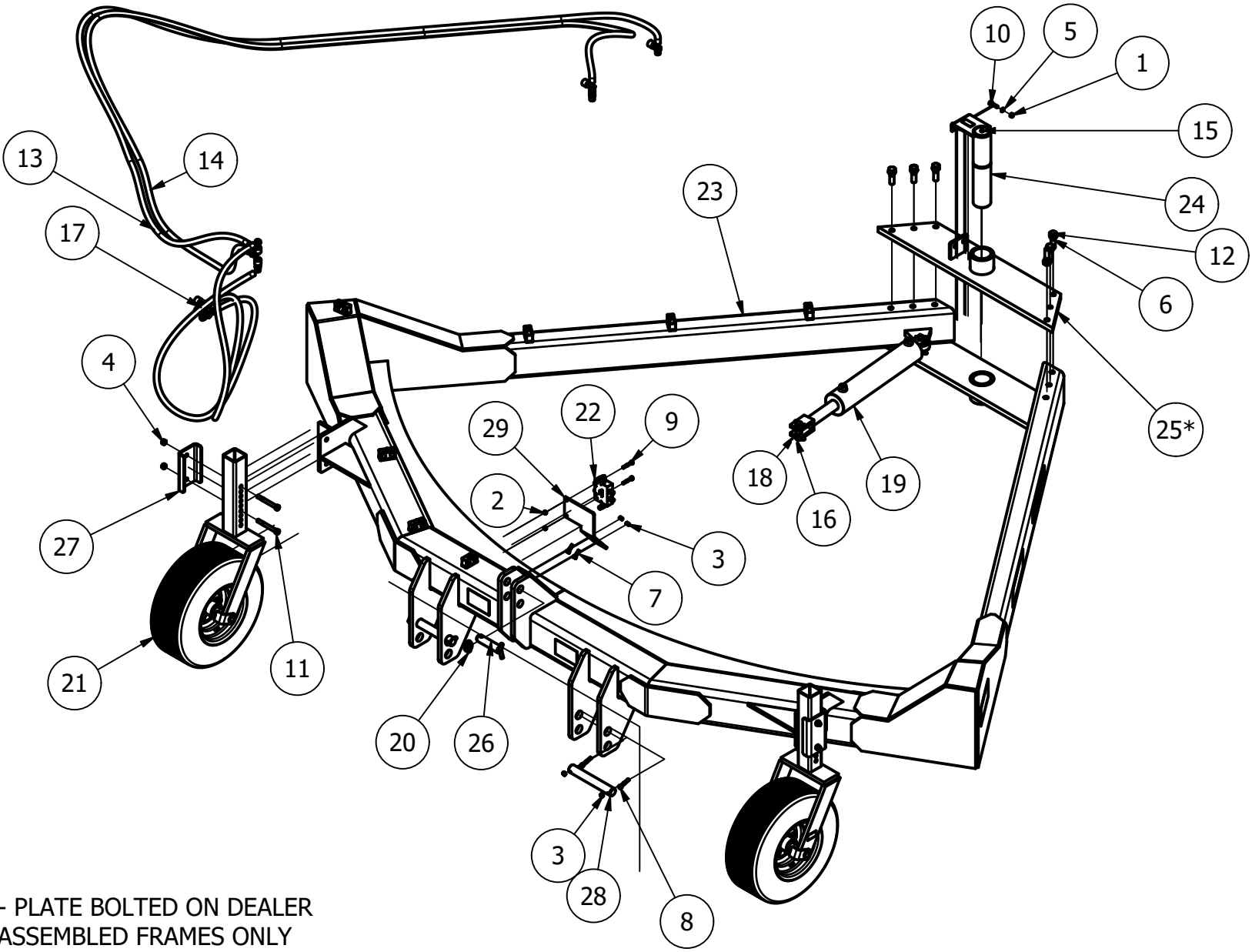
* - PLATE BOLTED ON DEALER ASSEMBLED FRAMES ONLY

83-001-63 PARTS LIST

ITEM	ITEM QTY	PART NUMBER	DESCRIPTION
1	2	0812-1200	HEX NUT, 3/8
2	4	1412-1200	LOCK NUT, 3/8 STOVER ZP
3	4	1412-1600	LOCK NUT, 1/2 STOVER ZP
4	2	1602-1200	LOCK WASHER, 3/8 ZP
5	6	1602-2400	LOCK WASHER, 3/4 ZP
6	4	2814-1220	HEX HEAD BOLT, 3/8 X 2 GR 2 ZP
7	2	2816-1214	HEX HEAD BOLT, 3/8 X 1 1/2 GR5 ZP
8	4	2816-1644	HEX HEAD BOLT, 1/2 X 4 1/2 GR5 ZP
9	6	2816-2424	HEX HEAD BOLT, 3/4 X 2 1/2 GR5 ZP
10	1	79-005-38	1/8" NPT GREASE FITTING
11	2	79-006-06	CLEVIS PIN - 1" DIA. X 3-1/4"
12	4	79-043-06	1/8" HAIR PIN
13	1	79-047-36	HYDRAULIC CYLINDER 3.5" BORE X 16" STROKE
14	1	79-061-36	3/8" LYNCH PIN
15	2	84-003-63	FRONT GAUGE WHEEL ASSEMBLY
16	1	84-1008-63	HYDRAULIC HOSE ASSEMBLY
17	1	85-001-63	6300 MAIN FRAME WELDMENT
18	1	85-006-63	6300 PIVOT PIN WELDMENT
19*	1	85-011-63	BOLT-ON UPPER PIVOT PLATE WELDMENT
20	1	85-029-36	UPPER HITCH PIN WELDMENT
21	1	93-095-55	HYDRAULIC HOSE END HOLDER
22	2	93-1014-63	FRONT GAUGE WHEEL CLAMP PLATE
23	2	96-015-06	LOWER HITCH PIN



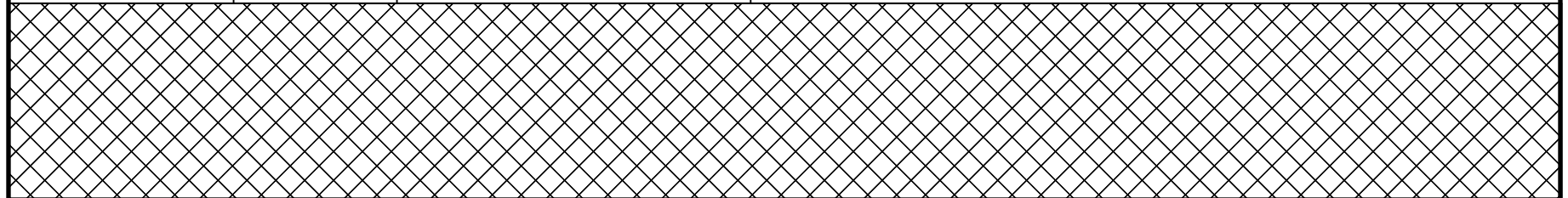
83-002-63



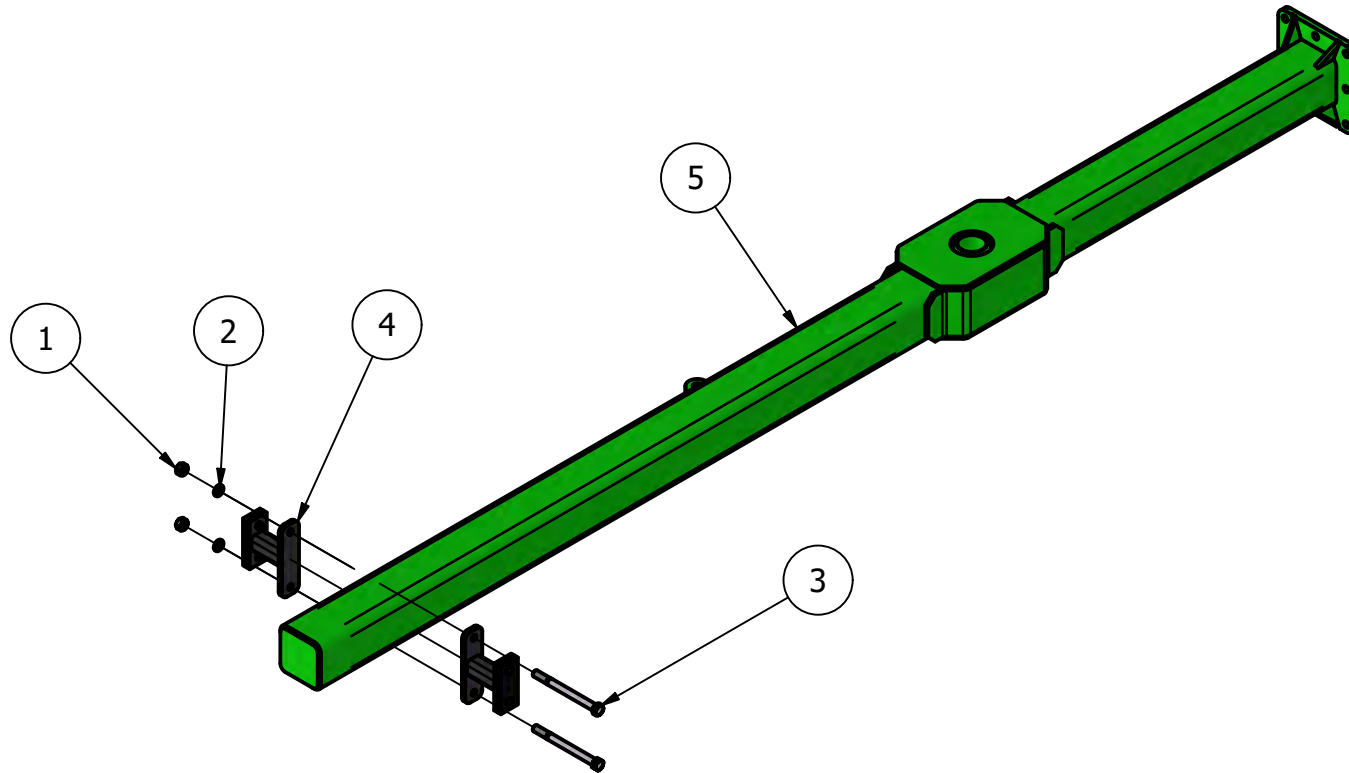
* - PLATE BOLTED ON DEALER ASSEMBLED FRAMES ONLY

83-002-63 PARTS LIST

ITEM	ITEM QTY	PART NUMBER	DESCRIPTION
1	2	0812-1200	HEX NUT, 3/8
2	2	1412-1000	LOCK NUT, 5/16 STOVER ZP
3	6	1412-1200	LOCK NUT, 3/8 STOVER ZP
4	4	1412-1600	LOCK NUT, 1/2 STOVER ZP
5	2	1602-1200	LOCK WASHER, 3/8 ZP
6	6	1602-2400	LOCK WASHER, 3/4 ZP
7	2	2814-1212	HEX HEAD BOLT, 3/8 X 1 1/4 GR 2 ZP
8	4	2814-1220	HEX HEAD BOLT, 3/8 X 2 GR 2 ZP
9	2	2816-1020	HEX HEAD BOLT, 5/16 X 2 GR5 ZP
10	2	2816-1214	HEX HEAD BOLT, 3/8 X 1 1/2 GR5 ZP
11	4	2816-1644	HEX HEAD BOLT, 1/2 X 4 1/2 GR5 ZP
12	6	2816-2424	HEX HEAD BOLT, 3/4 X 2 1/2 GR5 ZP
13	1	79-001-32	3/8 DIA. X 192" HYDRAULIC HOSE & FITTINGS
14	1	79-002-32	3/8 DIA. X 204" HYDRAULIC HOSE & FITTINGS
15	1	79-005-38	1/8" NPT GREASE FITTING
16	2	79-006-06	CLEVIS PIN - 1" DIA. X 3-1/4"
17	2	79-011-28	3/8 DIA. X 66" HYDRAULIC HOSE & FITTINGS
18	4	79-043-06	1/8" HAIR PIN
19	1	79-047-36	HYDRAULIC CYLINDER 3.5" BORE X 16" STROKE
20	1	79-061-36	3/8" LYNCH PIN
21	2	84-003-63	FRONT GAUGE WHEEL ASSEMBLY
22	1	84-1011-63	COUNTER BALANCE VALVE KIT FOR 8 - BOTTOM PLOW
23	1	85-001-63	6300 MAIN FRAME WELDMENT
24	1	85-006-63	6300 PIVOT PIN WELDMENT
25*	1	85-011-63	BOLT-ON UPPER PIVOT PLATE WELDMENT
26	1	85-029-36	UPPER HITCH PIN WELDMENT
27	2	93-1014-63	FRONT GAUGE WHEEL CLAMP PLATE
28	2	96-015-06	LOWER HITCH PIN
29	1	98-049-36	COUNTER BALANCE VALVE MOUNTING BRACKET

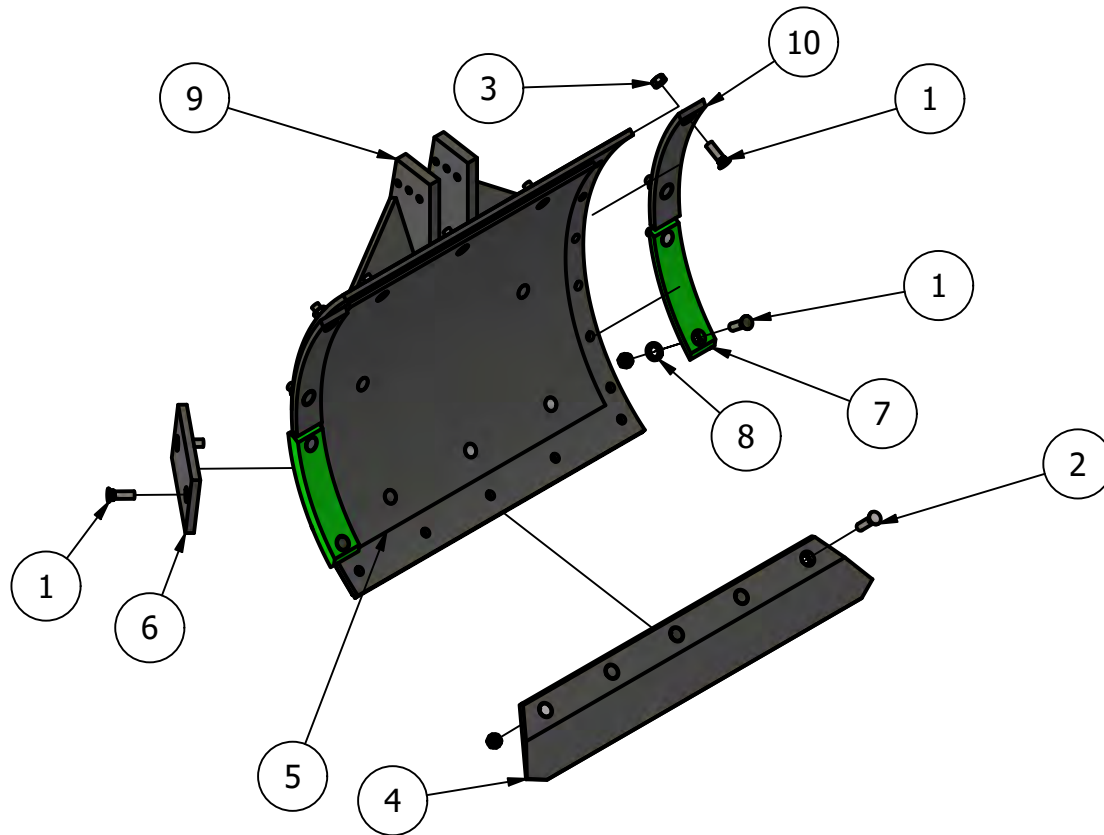


83-003-63



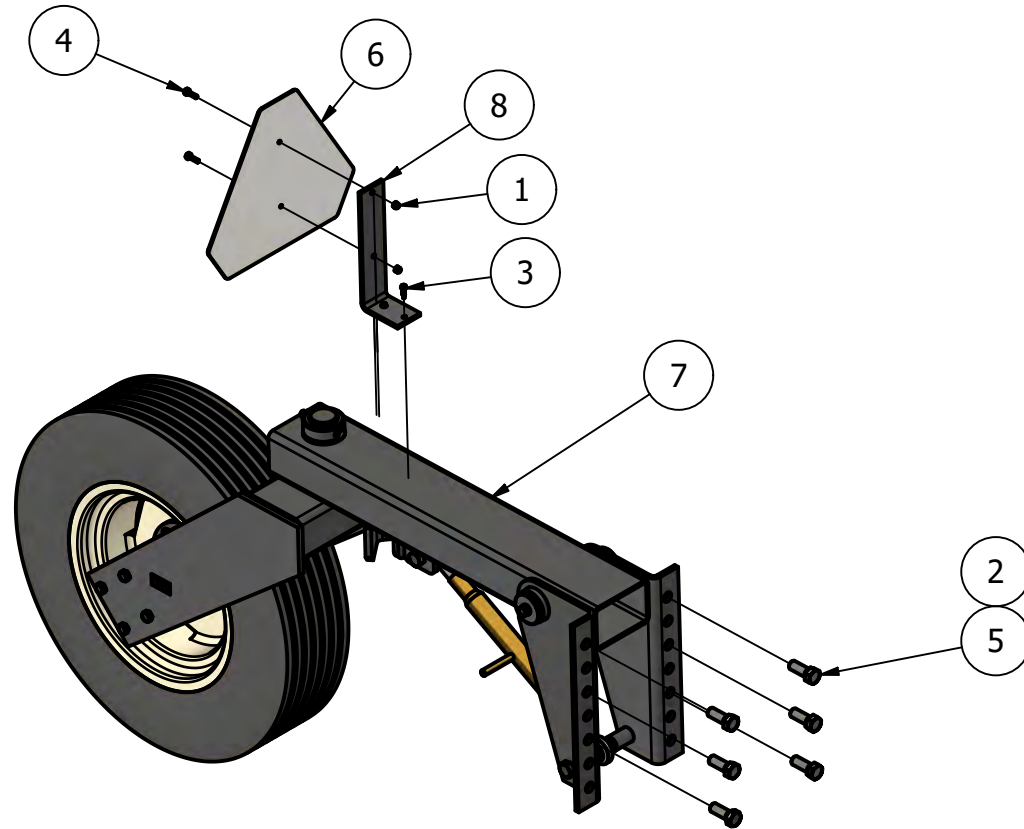
ITEM	ITEM QTY	PART NUMBER	DESCRIPTION
1	2	0812-2400	HEX NUT, 3/4
2	2	1602-2400	LOCK WASHER, 3/4 ZP
3	2	2816-2490	Hex Head Bolt, 3/4 x 9 Gr5 ZP
4	2	84-1006-63	TOOL BAR STOP ASSEMBLY
5	1	85-005-63	6300 TOOL BAR WELDMENT 6-BOTTOM

83-003-36



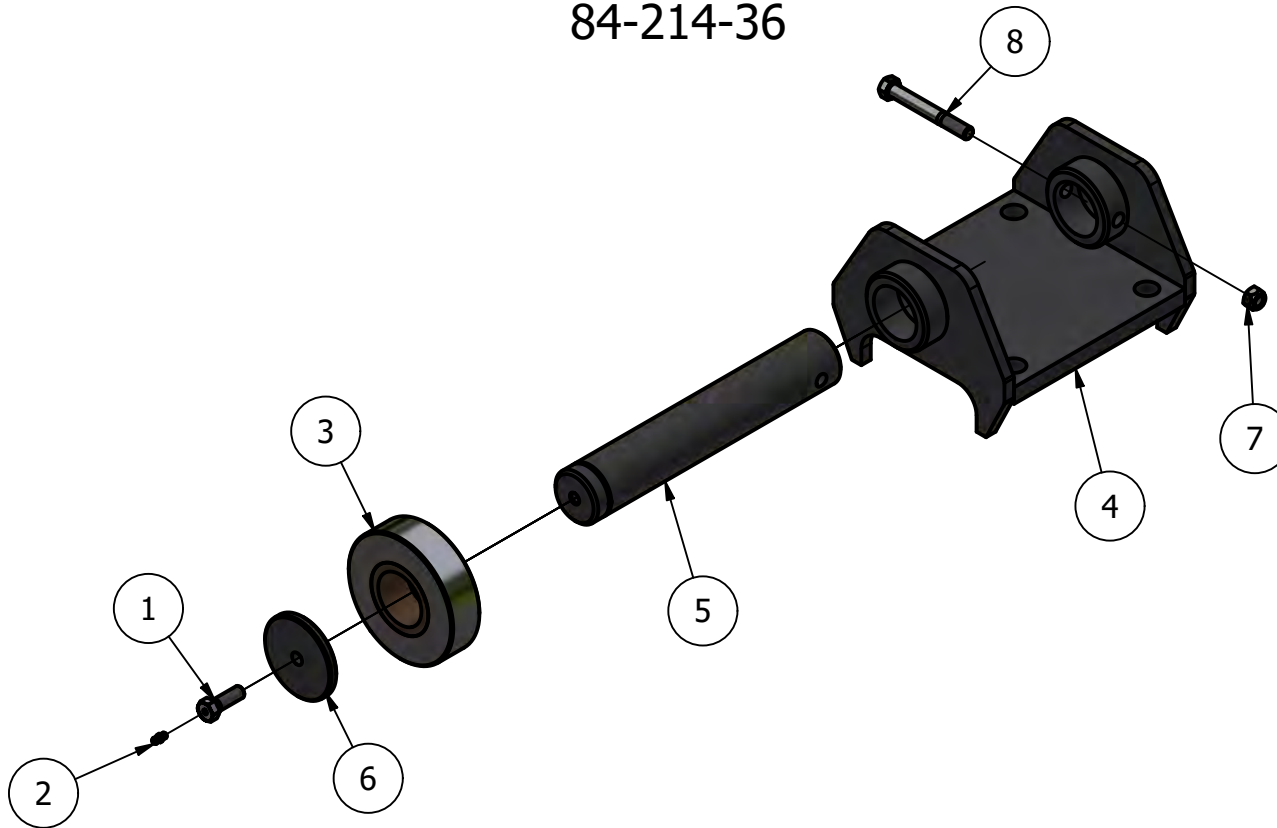
ITEM	ITEM QTY	PART NUMBER	DESCRIPTION
1	20	0315-1414	PLOW BOLT, 7/16x1-1/2 Gr5
2	5	0315-1416	Plow Bolt, 7/16 x 1 3/4, Flat Head
3	25	0812-1400	HEX NUT, 7/16
4	1	79-006-36	PLOW SHARE - HEAT TREATED
5	1	79-201-36	1/4" UHMW PLASTIC WING
6	2	79-204-36	SMALL SLIDE - MULTI LIFE
7	2	79-208-36	LOWER WEAR SHIN
8	4	79-218-36	OICW - RUBBER WASHER
9	1	85-006-36	MOLD BOARD WELDMENT
10	2	98-207-36	UPPER WEAR SHIN

83-004-63



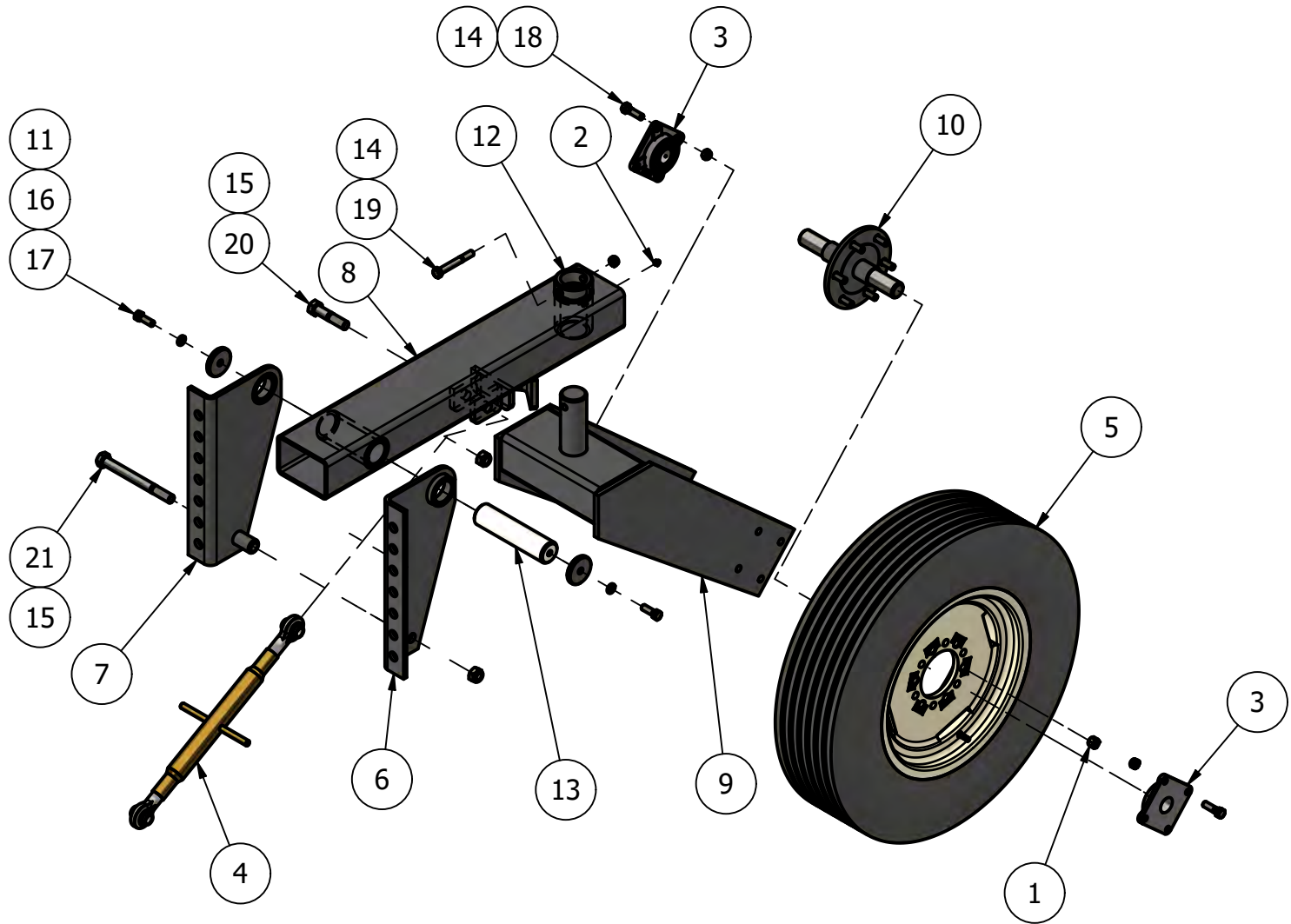
ITEM	ITEM QTY	PART NUMBER	DESCRIPTION
1	2	0912-0800	LOCK NUT, 1/4 NYLOCK ZP
2	6	1412-2400	LOCK NUT, 3/4 STOVER ZP
3	2	1913-1010	SELF TAP SCREW, 12X1
4	2	2816-0810	HEX HEAD BOLT, 1/4 X 1 GR5 ZP
5	6	2816-2420	HEX HEAD BOLT, 3/4 X 2 GR5 ZP
6	1	79-001-01M	SLOW MOVING VEHICLE SIGN
7	1	84-1000-63	REAR GAUGE WHEEL MAIN ASSEMBLY
8	1	93-1020-63	SMV BRACKET

84-214-36



ITEM	ITEM QTY	PART NUMBER	DESCRIPTION
1	1	79-221-36	GREASE HEX HEAD BOLT - PICTORIAL
2	1	79-222-36	LUBRICATING NIPPLE, CONED TYPE A
3	1	84-213-36	ROLLER ASSEMBLY
4	1	85-221-36	PIVOT BAR ROLLER MOUNTING PLATE WELDMENT
5	1	96-204-36	ROLLER SHAFT
6	1	96-205-36	PIVOT ROLLER PIN CAP
7	1	1412-1600	LOCK NUT, 1/2 STOVER ZP
8	1	2816-1640	HEX HEAD BOLT, 1/2 X 4 GR5 ZP

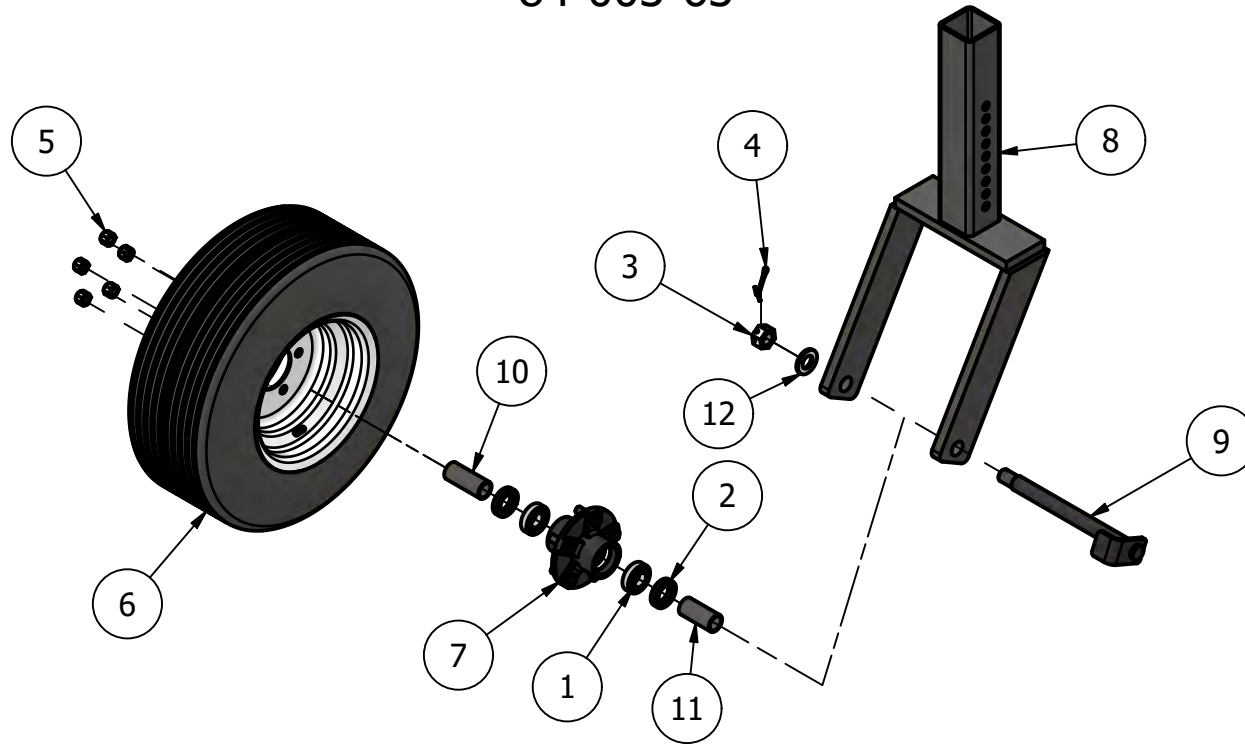
84-1000-63



84-1000-63 PARTS LIST

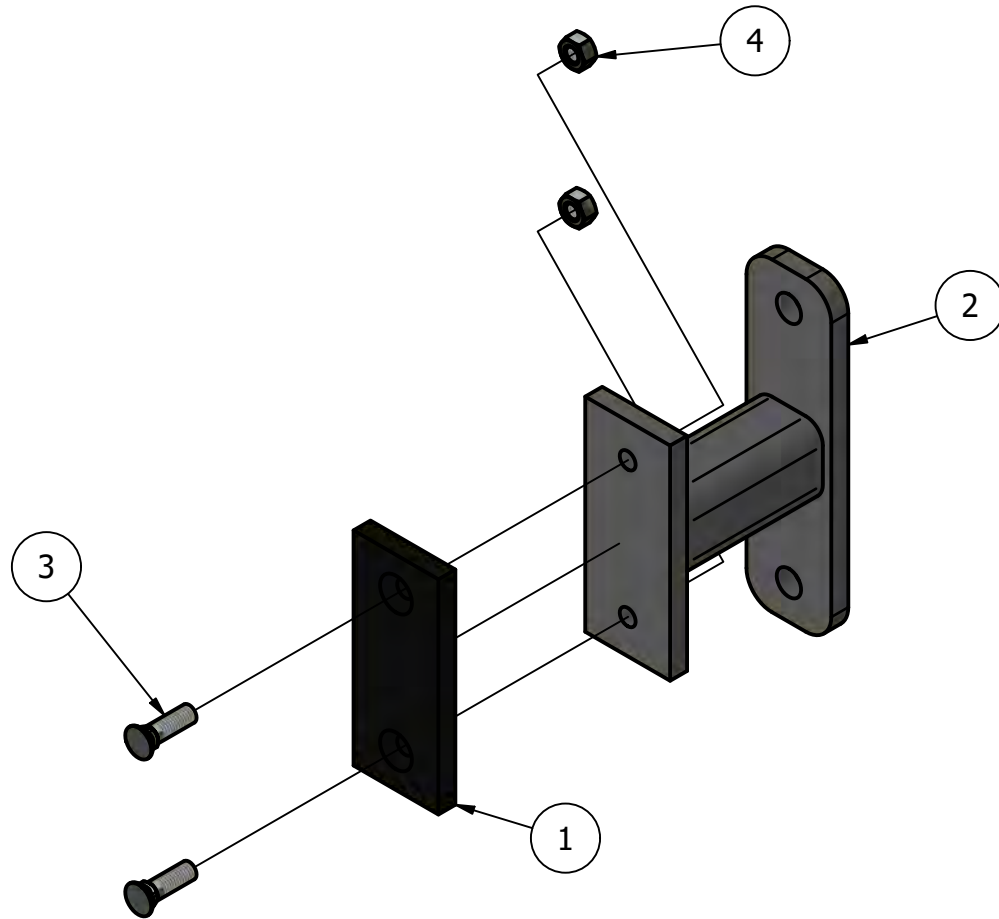
ITEM	ITEM QTY	PART NUMBER	DESCRIPTION
1	6	77-024-88	1/2" 90° NUT, SAE GRADE 8
2	1	79-005-38	1/8" NPT GREASE FITTING
3	2	79-277-06	4 HOLE FLANGE BEARING, 1-7/16" BORE - PICTORIAL
4	1	79-297-82	ADJUSTABLE TOP LINK - PICTORIAL
5	1	84-1001-63	REAR GAUGE WHEEL - TIRE, WHEEL & VALVE STEM ASSEMBLY
6	1	85-1001-63	REAR GAUGE WHEEL MOUNT - LH WELDMENT
7	1	85-1002-63	REAR GAUGE WHEEL MOUNT - RH WELDMENT
8	1	85-1003-63	REAR GAUGE WHEEL ARM WELDMENT
9	1	85-1004-63	REAR GAUGE WHEEL YOKE WELDMENT
10	1	85-1005-63	GAUGE WHEEL HUB & AXLE WELDMENT
11	2	93-1006-63	GAUGE WHEEL ARM PIN CAP
12	1	94-1002-63	GAUGE WHEEL & PIVOT ROLLER RETAINER BUSHING
13	1	96-1000-63	GAUGE WHEEL ARM PIN
14	9	1412-1600	LOCK NUT, 1/2 STOVER ZP
15	2	1412-2400	LOCK NUT, 3/4 STOVER ZP
16	2	1602-1600	Lock Washer, 1/2 ZP
17	2	2816-1614	Hex Head Bolt, 1/2 x 1 1/2 Gr5 ZP
18	8	2816-1616	Hex Head Bolt, 1/2 x 1 3/4 Gr5 ZP
19	1	2816-1640	HEX HEAD BOLT, 1/2 X 4 GR5 ZP
20	1	2816-2434	Hex Head Bolt, 3/4 x 3 1/2 Gr5 ZP
21	1	2816-2480	Hex Head Bolt, 3/4 x 8 Gr5 ZP

84-003-63



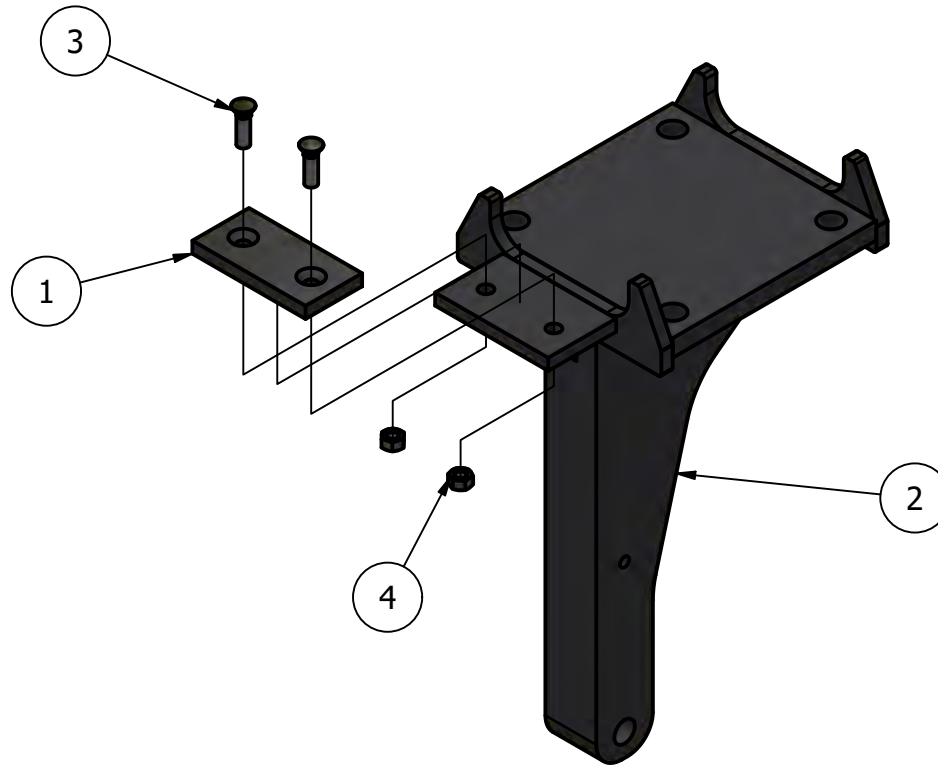
ITEM	ITEM QTY	PART NUMBER	DESCRIPTION
1	2	77-002-36	TAPERED ROLLER BEARING - PICTORIAL
2	2	77-003-36	HUB GREASE SEAL - PICTORIAL
3	1	77-004-02	SPINDLE NUT - PICTORIAL
4	1	77-011-02	COTTER PIN - PICTORIAL
5	5	77-024-88	1/2" 90° NUT, SAE GRADE 8
6	1	84-001-36	WHEEL, TIRE & VALVE STEM ASSEMBLY - PICTORIAL
7	1	84-1002-63	5 x 4.5 BOLT HUB W/RACES - PICTORIAL
8	1	85-009-63	FRONT GAUGE WHEEL YOKE WELDMENT
9	1	85-019-36	SPINDLE SHAFT WELDMENT - FRONT GAUGE WHEEL
10	1	94-1011-63	OUTER SPINDLE SHAFT BUSHING
11	1	94-1012-63	INNER SPINDLE SHAFT BUSHING
12	1	17702-2800	FLAT WASHER, 7/8 ZP

84-1006-63



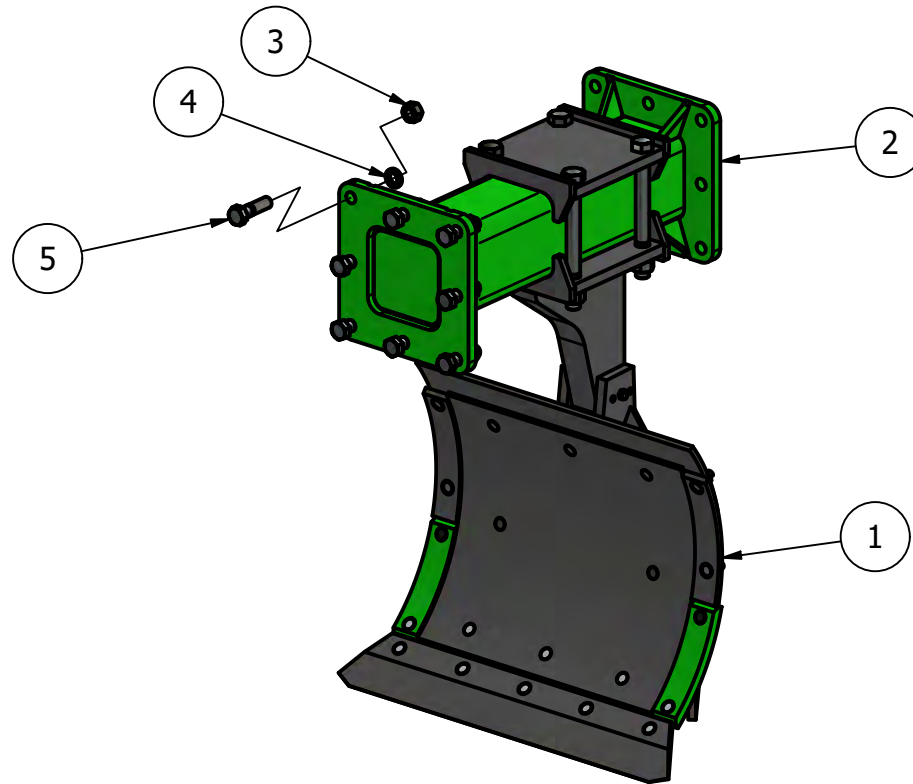
ITEM	ITEM QTY	PART NUMBER	DESCRIPTION
1	1	79-1001-63	1/2" UHMW - BUMPER PAD
2	1	85-012-63	TOOL BAR STOP WELDMENT
3	2	0315-1414	PLOW BOLT, 7/16x1-1/2 Gr5
4	2	0812-1400	HEX NUT, 7/16

84-1007-63



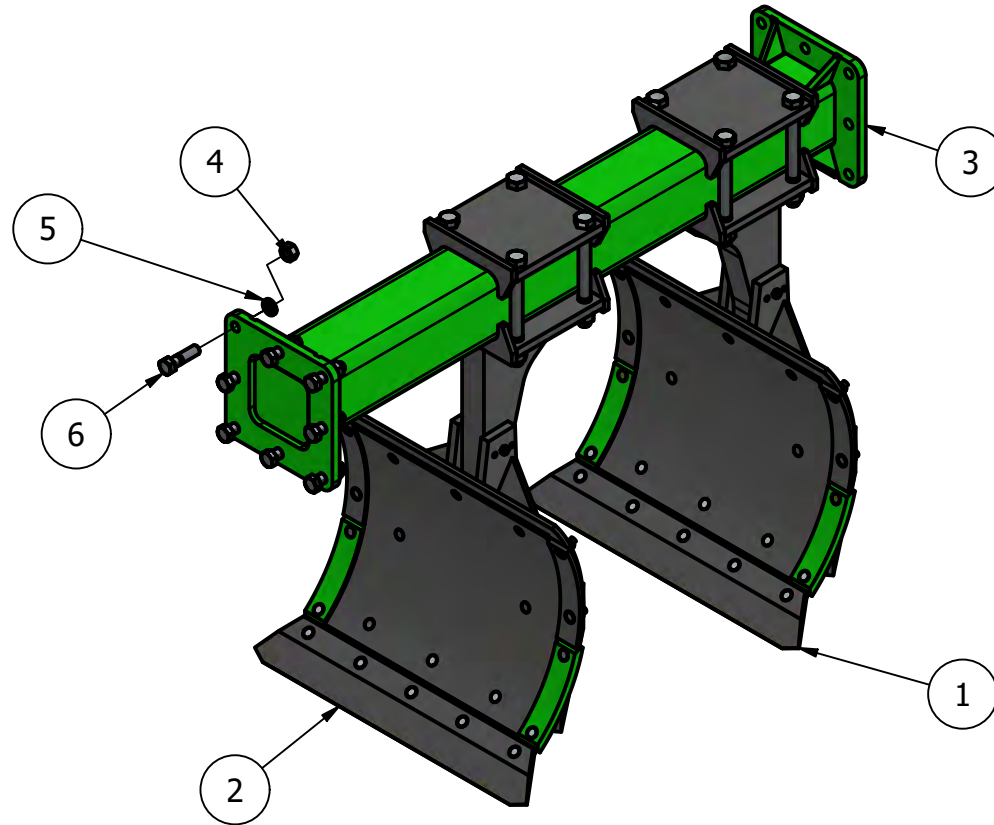
ITEM	ITEM QTY	PART NUMBER	DESCRIPTION
1	1	79-1002-63	1/2" UHMW - SLIDE WEAR PAD FOR FRONT SHANK WELDMENT
2	1	85-224-36	FRONT SHANK WELDMENT
3	2	0315-1414	PLOW BOLT, 7/16x1-1/2 Gr5
4	2	0812-1400	HEX NUT, 7/16

84-1009-63



ITEM	ITEM QTY	PART NUMBER	DESCRIPTION
1	1	72-004-63	6300 SWITCH PLOW - REVERSE REAR BOTTOM KIT
2	1	85-015-63	TOOL BAR EXTENSION WELDMENT 1-BOTTOM
3	8	0812-2400	HEX NUT, 3/4
4	8	1602-2400	LOCK WASHER, 3/4 ZP
5	8	2816-2436	HEX HEAD BOLT, 3/4 X 2 1/2 GR5 ZP

84-1012-63



ITEM	ITEM QTY	PART NUMBER	DESCRIPTION
1	1	72-004-63	6300 SWITCH PLOW - REVERSE REAR BOTTOM KIT
2	1	72-005-63	6300 SWITCH PLOW - FORWARD REAR BOTTOM KIT
3	1	85-1009-63	TOOL BAR EXTENSION WELDMENT 2-BOTTOM
4	8	0812-2400	HEX NUT, 3/4
5	8	1602-2400	LOCK WASHER, 3/4 ZP
6	8	2816-2436	HEX HEAD BOLT, 3/4 X 2 1/2 GR5 ZP

