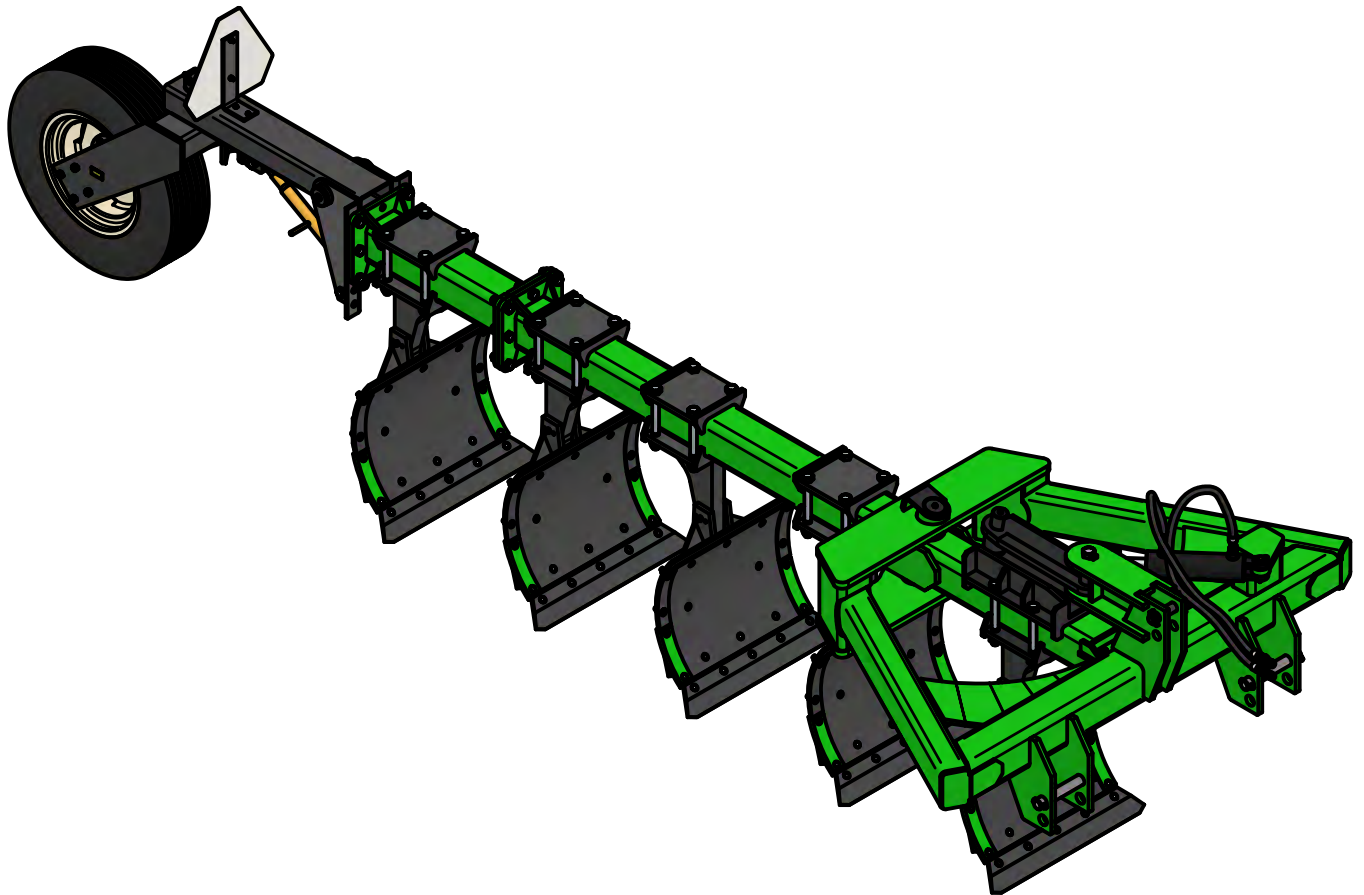




9405 SWITCH PLOW



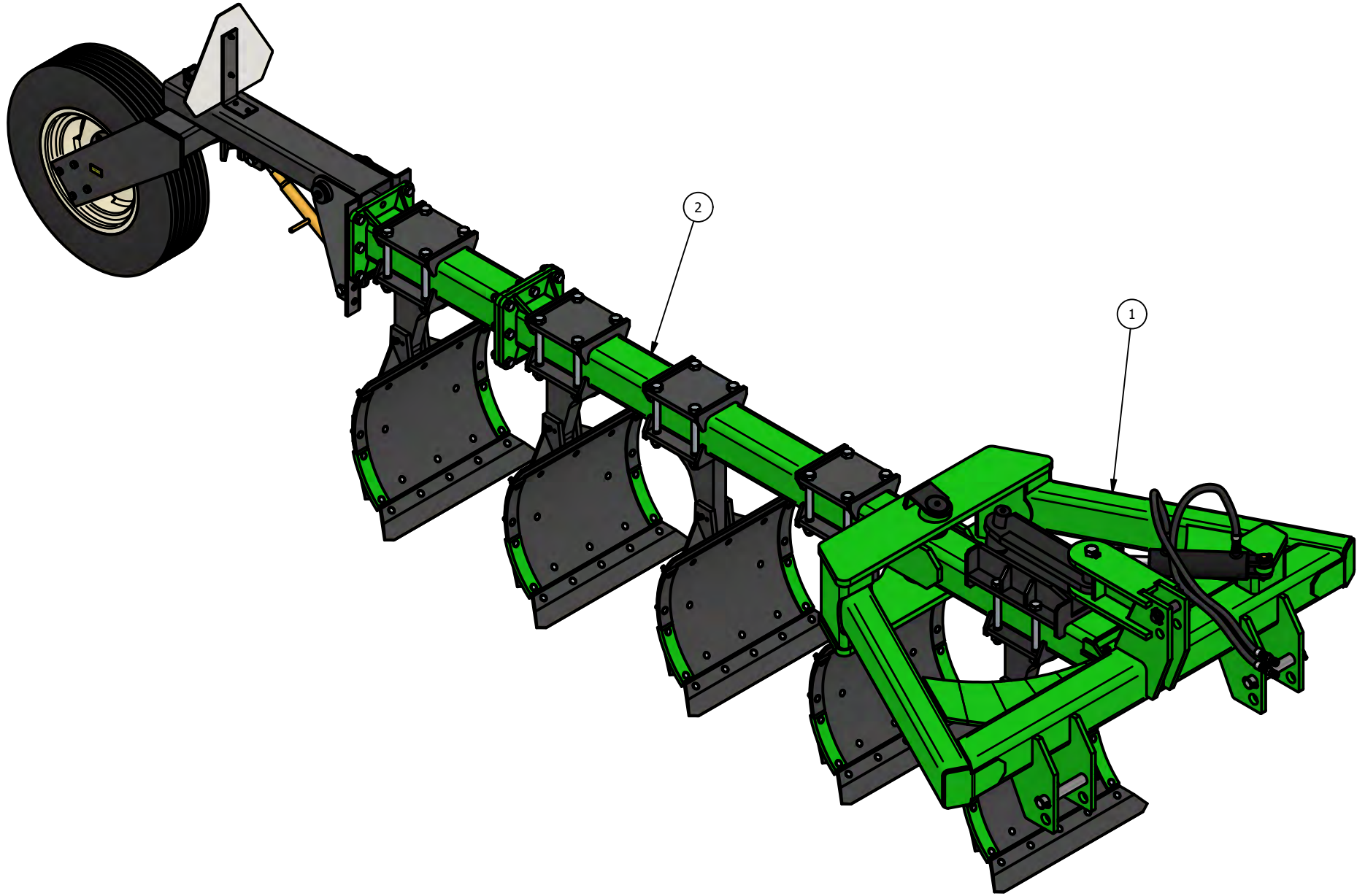
216 INDUSTRIAL BLVD., RAMP 2
BAINBRIDGE, GA 39817
(229) 246-0350
www.harrellag.com

94-PM-001-01

TABLE OF CONTENTS

70-002-63.....9405 SWITCH PLOW.....4
84-1000-94.....9400 SWITCH PLOW MAIN ASSEMBLY.....6
84-1001-94.....9405 TOOLBAR ASSEMBLY.....8
84-1009-63..... ONE BOTTOM EXTENSION ASSEMBLY.....10
72-001-94.....9400 SWITCH PLOW - FRONT BOTTOM KIT.....12
72-002-63.....FORWARD INTERMEDIATE BOTTOM KIT..... 14
72-003-63.....REVERSE INTERMEDIATE BOTTOM KIT.....16
72-004-63.....REVERSE REAR BOTTOM KIT.....18
83-003-36.....MOLD BOARD w/SHORT SLIDES.....20
83-206-36.....MOLD BOARD w/LONG SLIDES.....22
83-004-63.....REAR GAUGE WHEEL BUNDLE.....24
84-1000-63.....REAR GAUGE WHEEL ASSEMBLY.....26
84-1003-94..... HYDRAULIC HOSE ASSEMBLY28
MISC PARTS.....30

70-002-94
9405 SWITCH PLOW

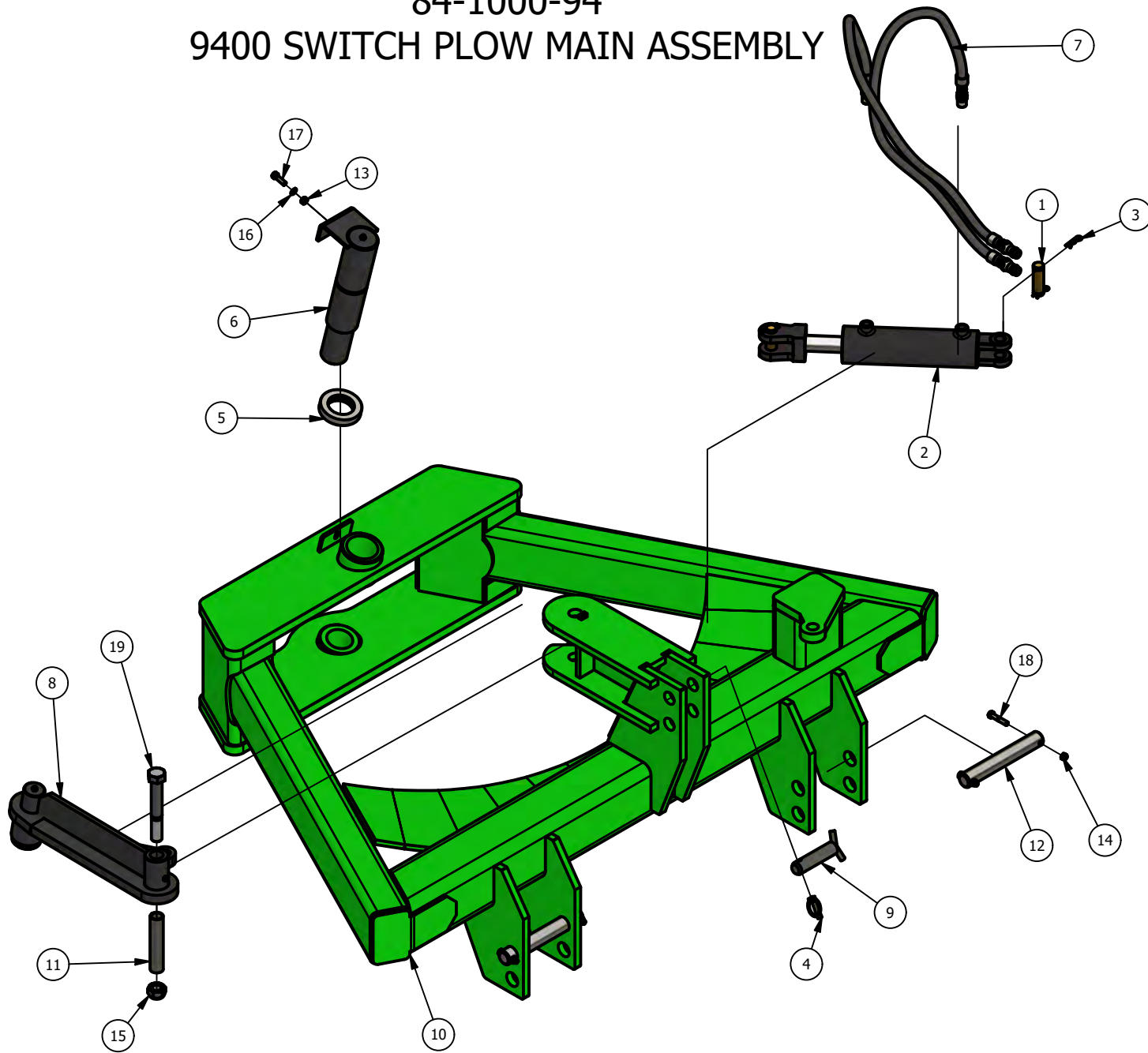


94-PM-001-01
4 of 32



ITEM	ITEM QTY	PART NUMBER	DESCRIPTION
1	1	84-1000-94	9400 SWITCH PLOW MAIN ASSEMBLY
2	1	84-1001-94	9405 TOOLBAR ASSEMBLY

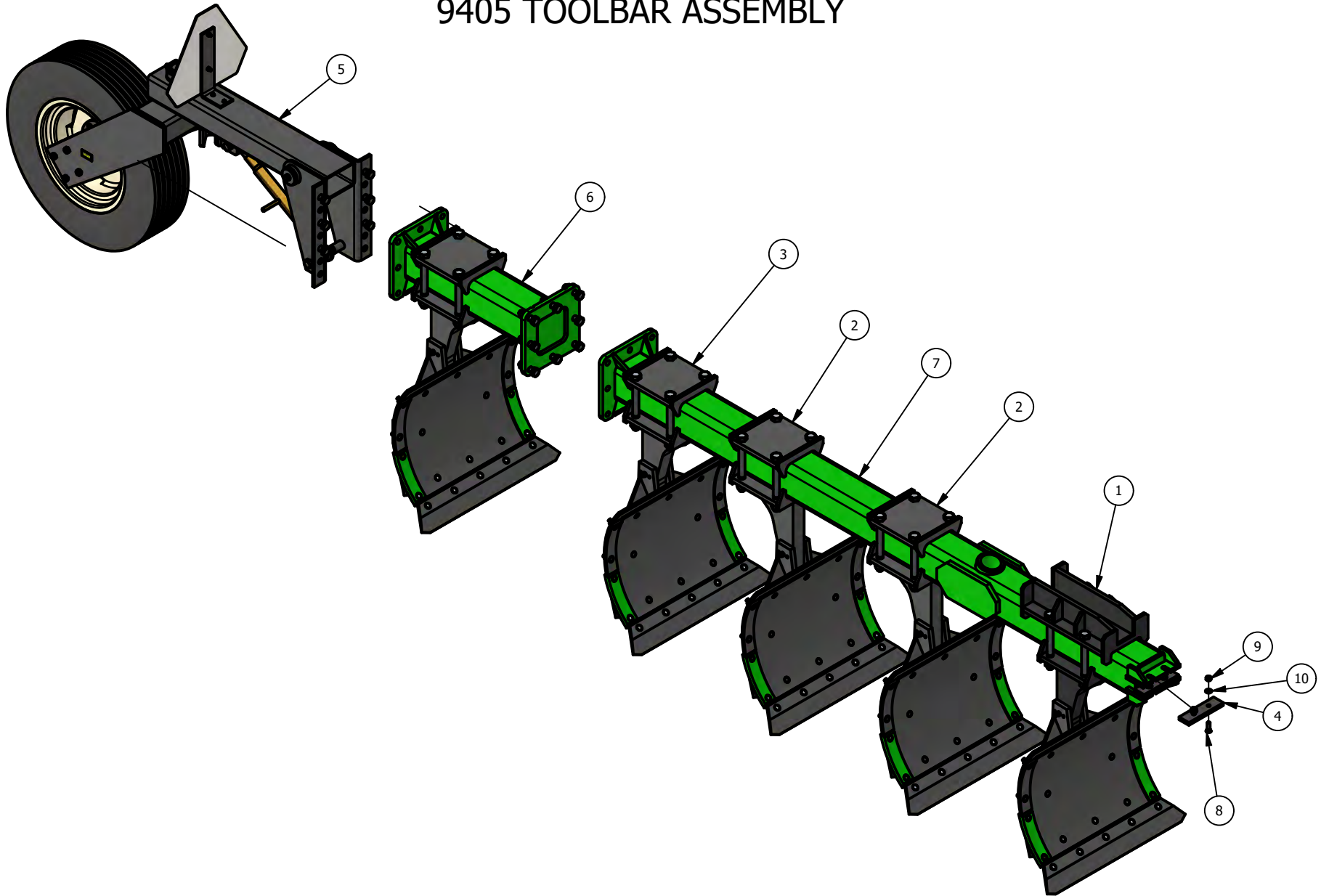
84-1000-94 9400 SWITCH PLOW MAIN ASSEMBLY



94-PM-001-01
6 of 32

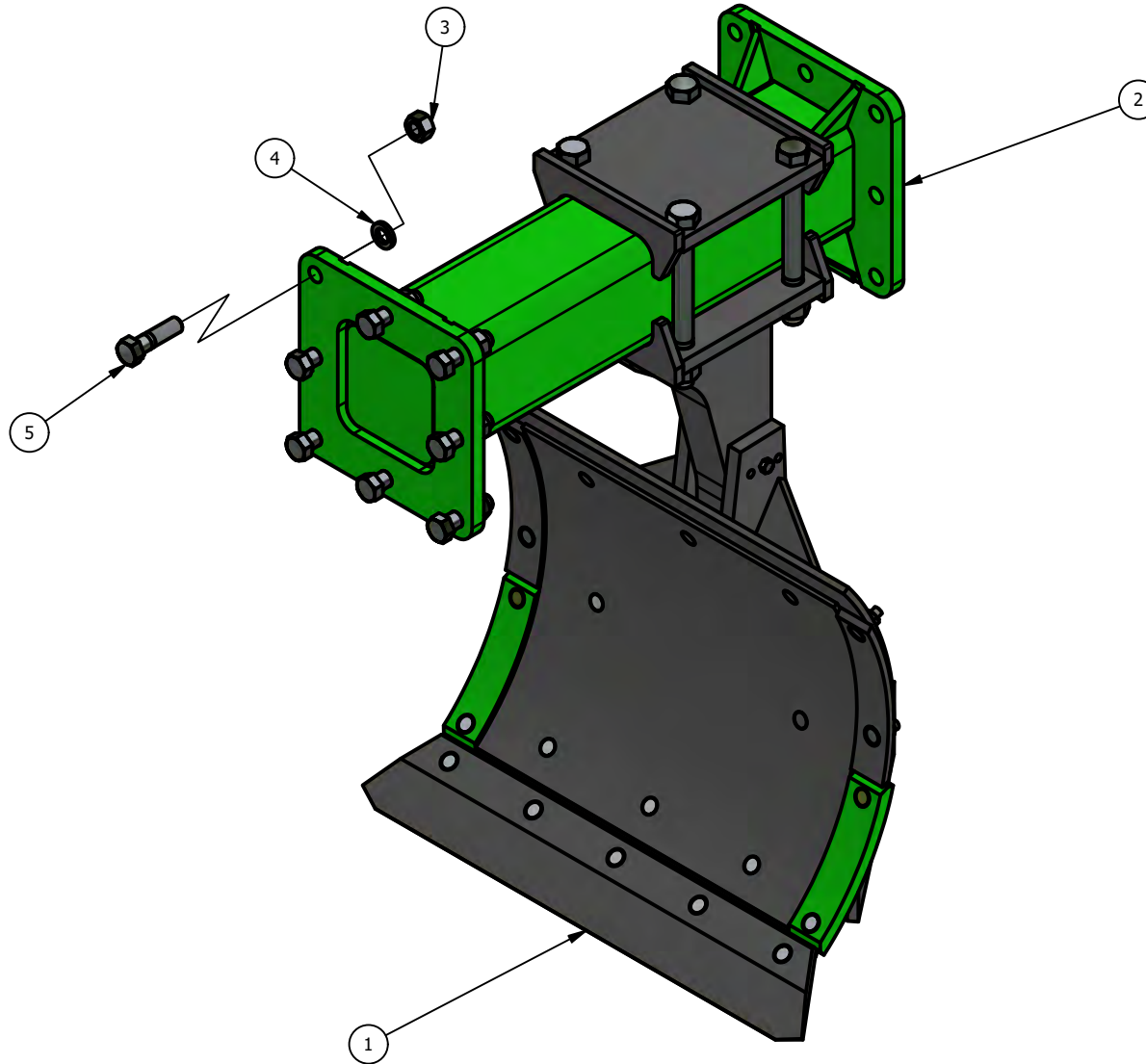
ITEM	ITEM QTY	PART NUMBER	DESCRIPTION
1	2	79-006-06	CLEVIS PIN - 1" DIA. X 3-1/4"
2	1	79-025-50	HYDRAULIC CYLINDER
3	4	79-043-06	1/8" HAIR PIN
4	1	79-061-36	3/8" LYNCH PIN
5	1	79-298-82	THRUST BEARING - PICTORIAL
6	1	84-1002-94	PIVOT PIN WELDMENT ASSEMBLY
7	1	84-1003-94	9400 HYDRAULIC HOSE ASSEMBLY
8	1	85-005-94	LOCK ARM WELDMENT
9	1	85-029-36	UPPER HITCH PIN WELDMENT
10	1	85-1001-94	HITCH TOOL BAR WELDMENT
11	1	94-1007-94	PIVOT PLATE BUSHING
12	2	96-015-06	LOWER HITCH PIN
13	1	0812-1200	HEX NUT, 3/8
14	4	1412-1200	LOCK NUT, 3/8 STOVER ZP
15	1	1412-3200	LOCK NUT, 1 STOVER ZP
16	1	1602-1200	LOCK WASHER, 3/8 ZP
17	1	2814-1212	HEX HEAD BOLT, 3/8 X 1 1/4 GR 2 ZP
18	4	2814-1220	HEX HEAD BOLT, 3/8 X 2 GR 2 ZP
19	1	2816-3270	HEX HEAD BOLT, 1 X 7 GR5 ZP

84-1001-94 9405 TOOLBAR ASSEMBLY



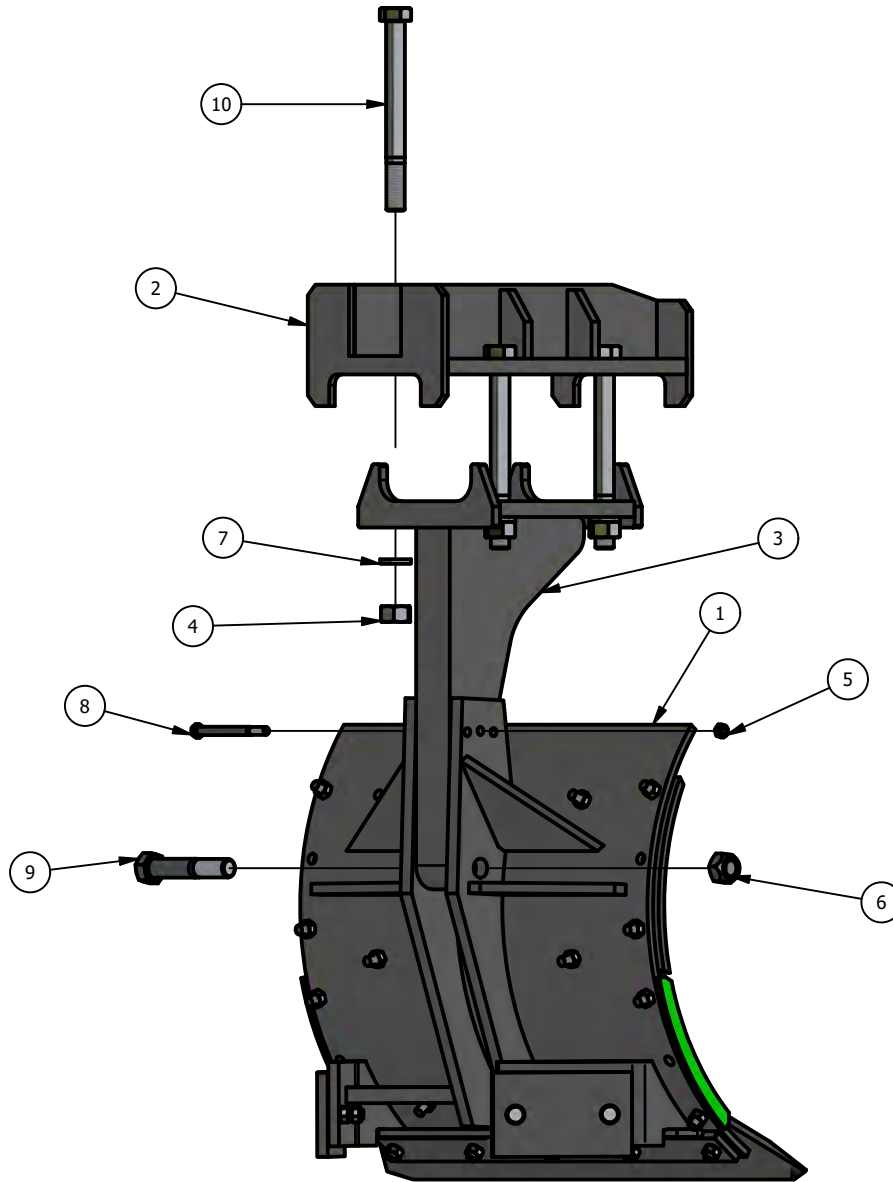
ITEM	ITEM QTY	PART NUMBER	DESCRIPTION
1	1	72-001-94	9400 SWITCH PLOW - FRONT BOTTOM KIT
2	2	72-002-63	6300 SWITCH PLOW - FORWARD INTERMEDIATE BOTTOM KIT
3	1	72-003-63	6300 SWITCH PLOW - REVERSE INTERMEDIATE BOTTOM KIT
4	2	79-203-36	SLIDE WEAR PAD, FRONT SHANK
5	1	83-004-63	6300, 9400 SWITCH PLOW - REAR GAUGE WHEEL BUNDLE
6	1	84-1009-63	6300 SWITCH PLOW - 1 BOTTOM EXTENSION ASSEMBLY
7	1	85-1002-94	TOOL BAR WELDMENT 6-BOTTOM
8	4	0315-1414	PLOW BOLT, 7/16x1-1/2 Gr5
9	4	0812-1400	HEX NUT, 7/16
10	4	1702-1400	FLAT WASHER, 7/16 ZP

84-1009-63
6300 SWITCH PLOW - 1 BOTTOM EXTENSION ASSEMBLY



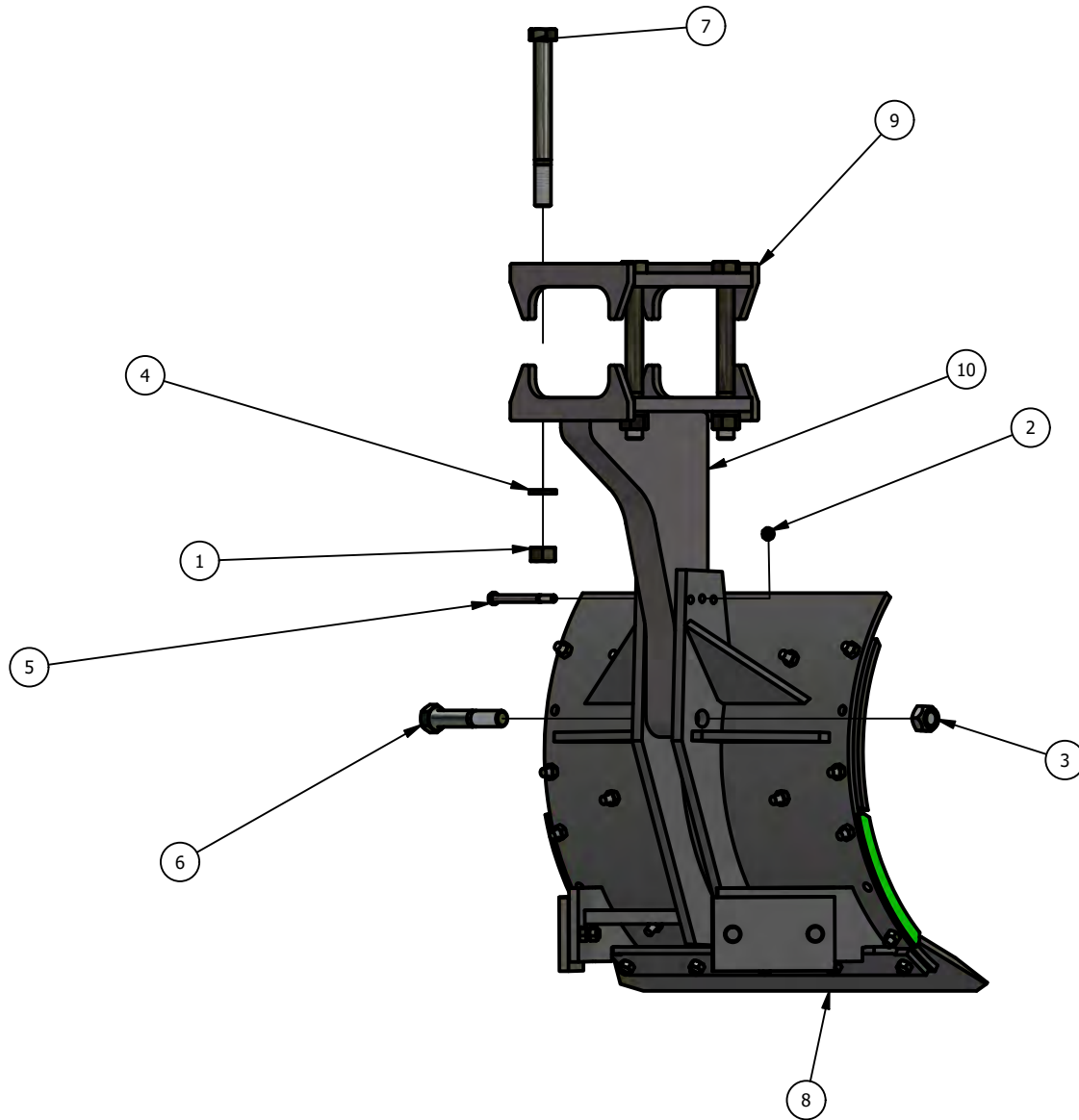
ITEM	ITEM QTY	PART NUMBER	DESCRIPTION
1	1	72-004-63	6300 SWITCH PLOW - REVERSE REAR BOTTOM KIT
2	1	85-015-63	TOOL BAR EXTENSION WELDMENT 1-BOTTOM
3	8	0812-2400	HEX NUT, 3/4
4	8	1602-2400	LOCK WASHER, 3/4 ZP
5	8	2816-2426	HEX HEAD BOLT, 3/4 X 2 3/4 GR5 ZP

72-001-94
9400 SWITCH PLOW - FRONT BOTTOM KIT



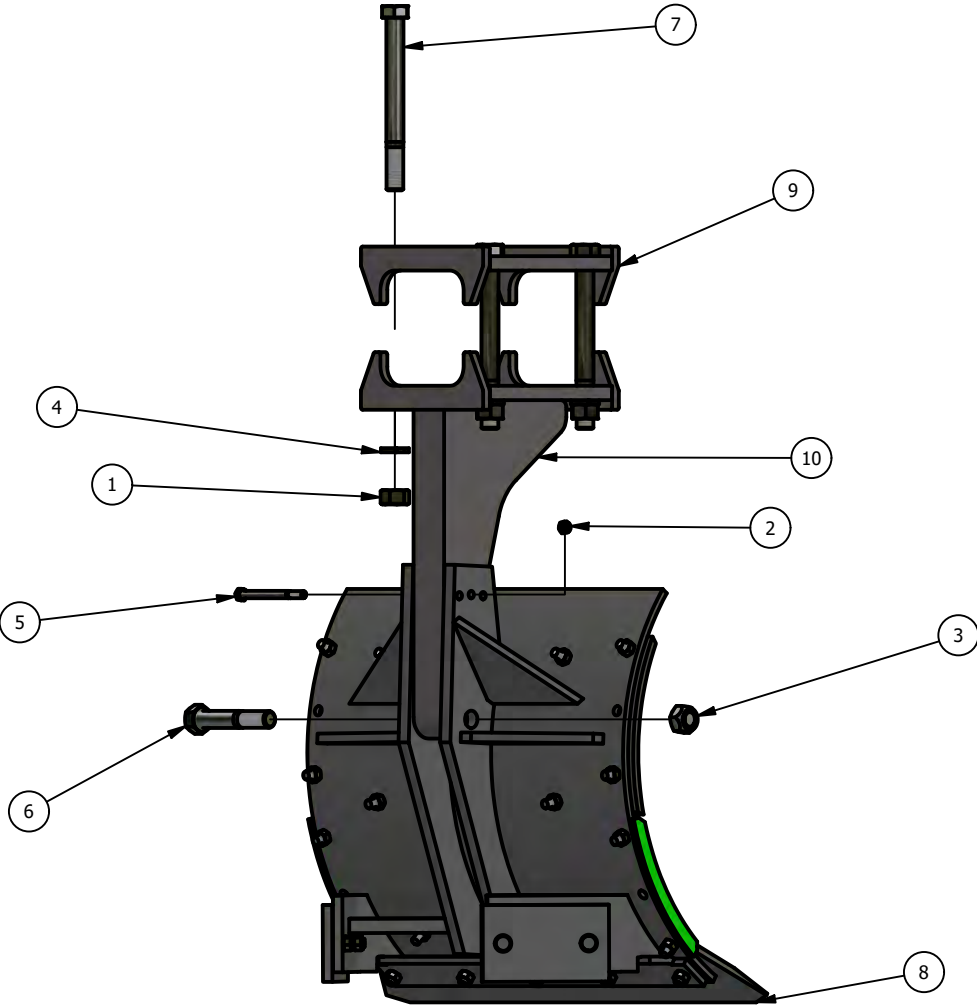
ITEM	ITEM QTY	PART NUMBER	DESCRIPTION
1	1	83-003-36	INTERMEDIATE MOLD BOARD W/ SHORT SLIDES - BUNDLE
2	1	85-007-94	GUIDE BRACKET WELDMENT
3	1	85-222-36	INTERMEDIATE SHANK WELDMENT
4	4	0812-2800	HEX NUT, 7/8
5	1	1412-1200	LOCK NUT, 3/8 STOVER ZP
6	1	1412-2800	LOCK NUT, 7/8 STOVER ZP
7	4	1602-2800	LOCK WASHER, 7/8 ZP
8	1	2816-1244	HEX HEAD BOLT, 3/8 X 4 1/2 GR5 ZP
9	1	2816-2850	HEX HEAD BOLT, 7/8 X 5 GR5 ZP
10	4	2816-2890	HEX HEAD BOLT, 7/8 X 9 GR5 ZP

72-002-63
6300 SWITCH PLOW - FORWARD INTERMEDIATE BOTTOM KIT



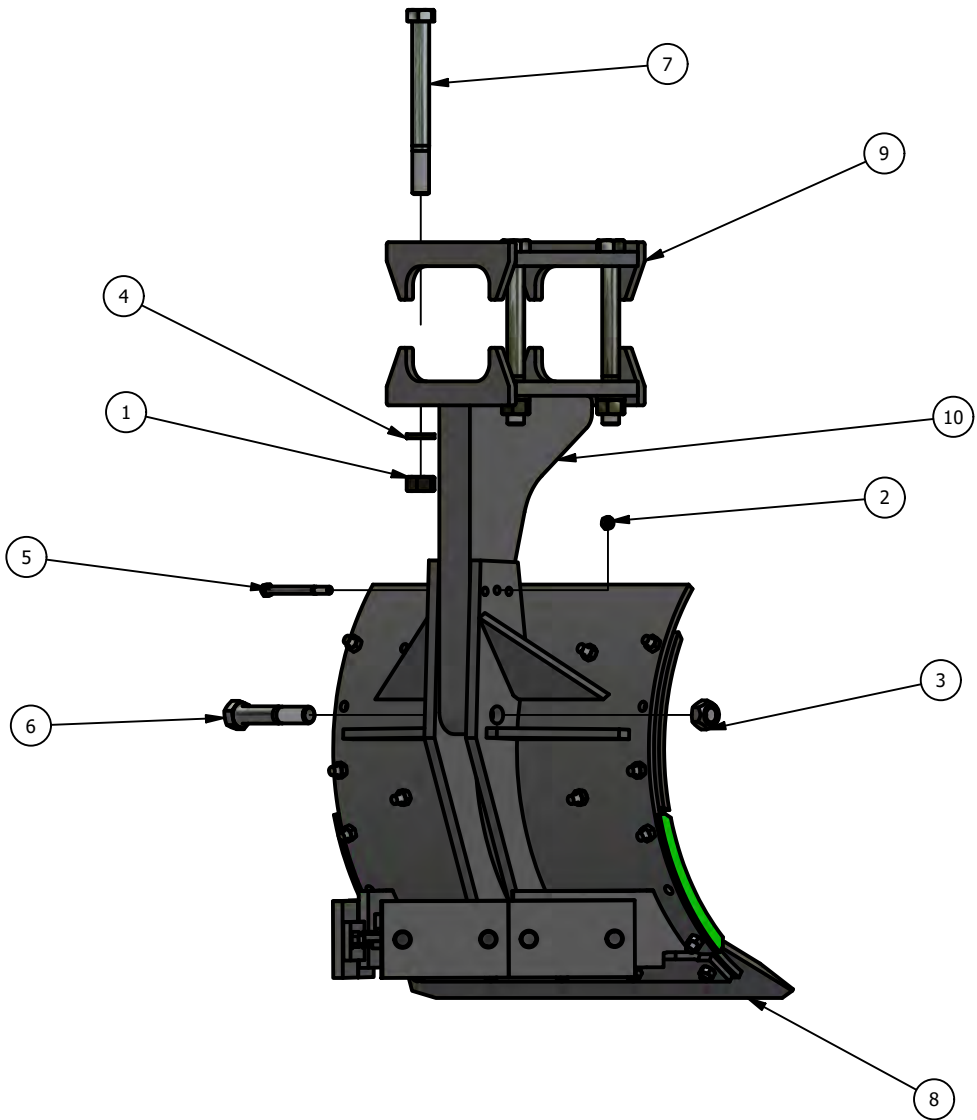
ITEM	ITEM QTY	PART NUMBER	DESCRIPTION
1	4	0812-2800	HEX NUT, 7/8
2	1	1412-1200	LOCK NUT, 3/8 STOVER ZP
3	1	1412-2800	LOCK NUT, 7/8 STOVER ZP
4	4	1602-2800	LOCK WASHER, 7/8 ZP
5	1	2816-1244	HEX HEAD BOLT, 3/8 X 4 1/2 GR5 ZP
6	1	2816-2850	HEX HEAD BOLT, 7/8 X 5 GR5 ZP
7	4	2816-2890	HEX HEAD BOLT, 7/8 X 9 GR5 ZP
8	1	83-003-36	INTERMEDIATE MOLD BOARD W/ SHORT SLIDES - BUNDLE
9	1	85-017-36	TOP PLATE WELDMENT, 6" TOOL BAR
10	1	85-222-36	INTERMEDIATE SHANK WELDMENT

72-003-63
6300 SWITCH PLOW - REVERSE INTERMEDIATE BOTTOM KIT



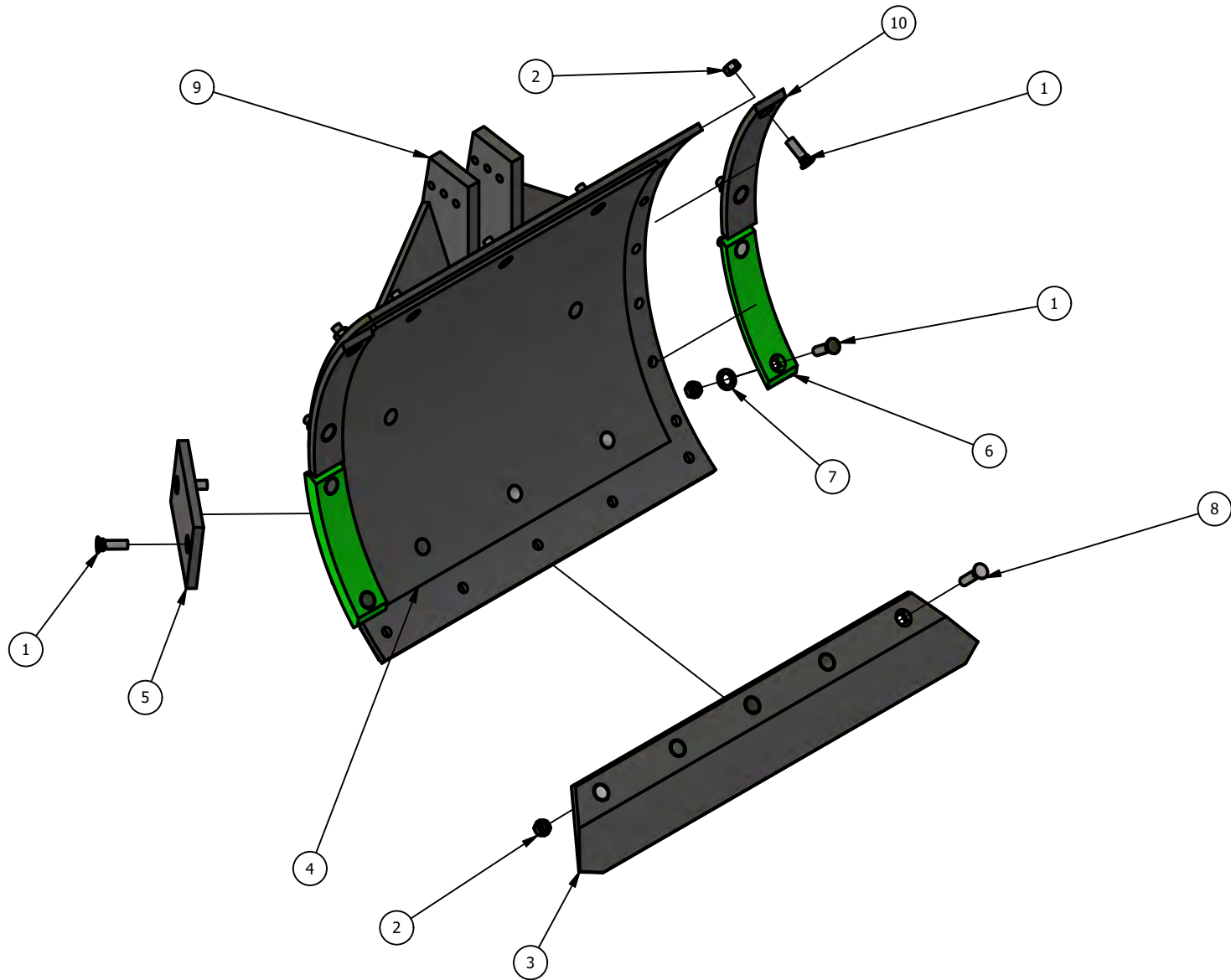
ITEM	ITEM QTY	PART NUMBER	DESCRIPTION
1	4	0812-2800	HEX NUT, 7/8
2	1	1412-1200	LOCK NUT, 3/8 STOVER ZP
3	1	1412-2800	LOCK NUT, 7/8 STOVER ZP
4	4	1602-2800	LOCK WASHER, 7/8 ZP
5	1	2816-1244	HEX HEAD BOLT, 3/8 X 4 1/2 GR5 ZP
6	1	2816-2850	HEX HEAD BOLT, 7/8 X 5 GR5 ZP
7	4	2816-2890	HEX HEAD BOLT, 7/8 X 9 GR5 ZP
8	1	83-003-36	INTERMEDIATE MOLD BOARD W/ SHORT SLIDES - BUNDLE
9	1	85-017-36	TOP PLATE WELDMENT, 6" TOOL BAR
10	1	85-222-36	INTERMEDIATE SHANK WELDMENT

72-004-63
6300 SWITCH PLOW - REVERSE REAR BOTTOM KIT



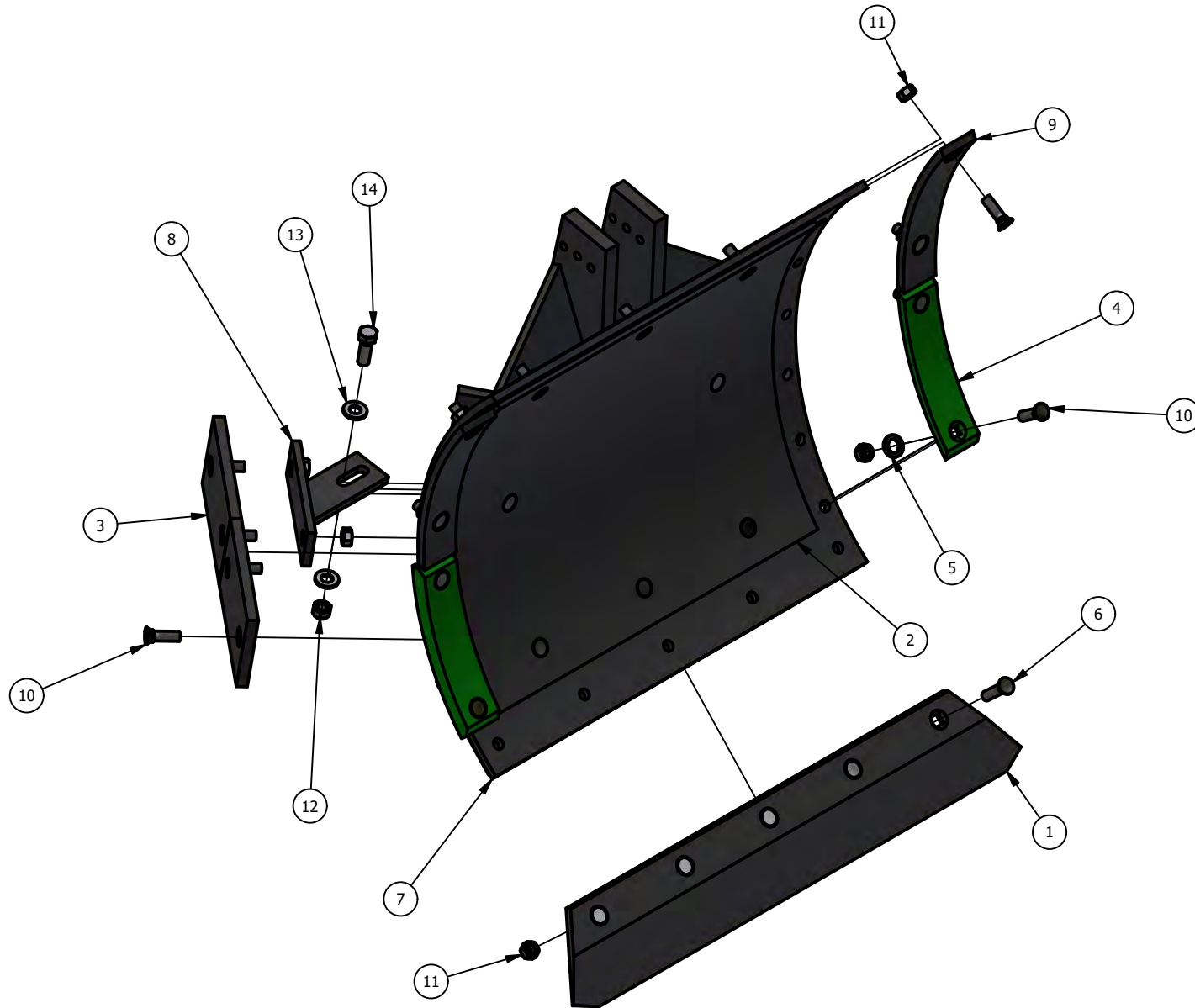
ITEM	ITEM QTY	PART NUMBER	DESCRIPTION
1	4	0812-2800	HEX NUT, 7/8
2	1	1412-1200	LOCK NUT, 3/8 STOVER ZP
3	1	1412-2800	LOCK NUT, 7/8 STOVER ZP
4	4	1602-2800	LOCK WASHER, 7/8 ZP
5	1	2816-1244	HEX HEAD BOLT, 3/8 X 4 1/2 GR5 ZP
6	1	2816-2850	HEX HEAD BOLT, 7/8 X 5 GR5 ZP
7	4	2816-2890	HEX HEAD BOLT, 7/8 X 9 GR5 ZP
8	1	83-206-36	REAR MOLD BOARD W/ LONG SLIDES - BUNDLE
9	1	85-017-36	TOP PLATE WELDMENT, 6" TOOL BAR
10	1	85-222-36	INTERMEDIATE SHANK WELDMENT

83-003-36
INTERMEDIATE MOLD BOARD W/ SHORT SLIDES - BUNDLE



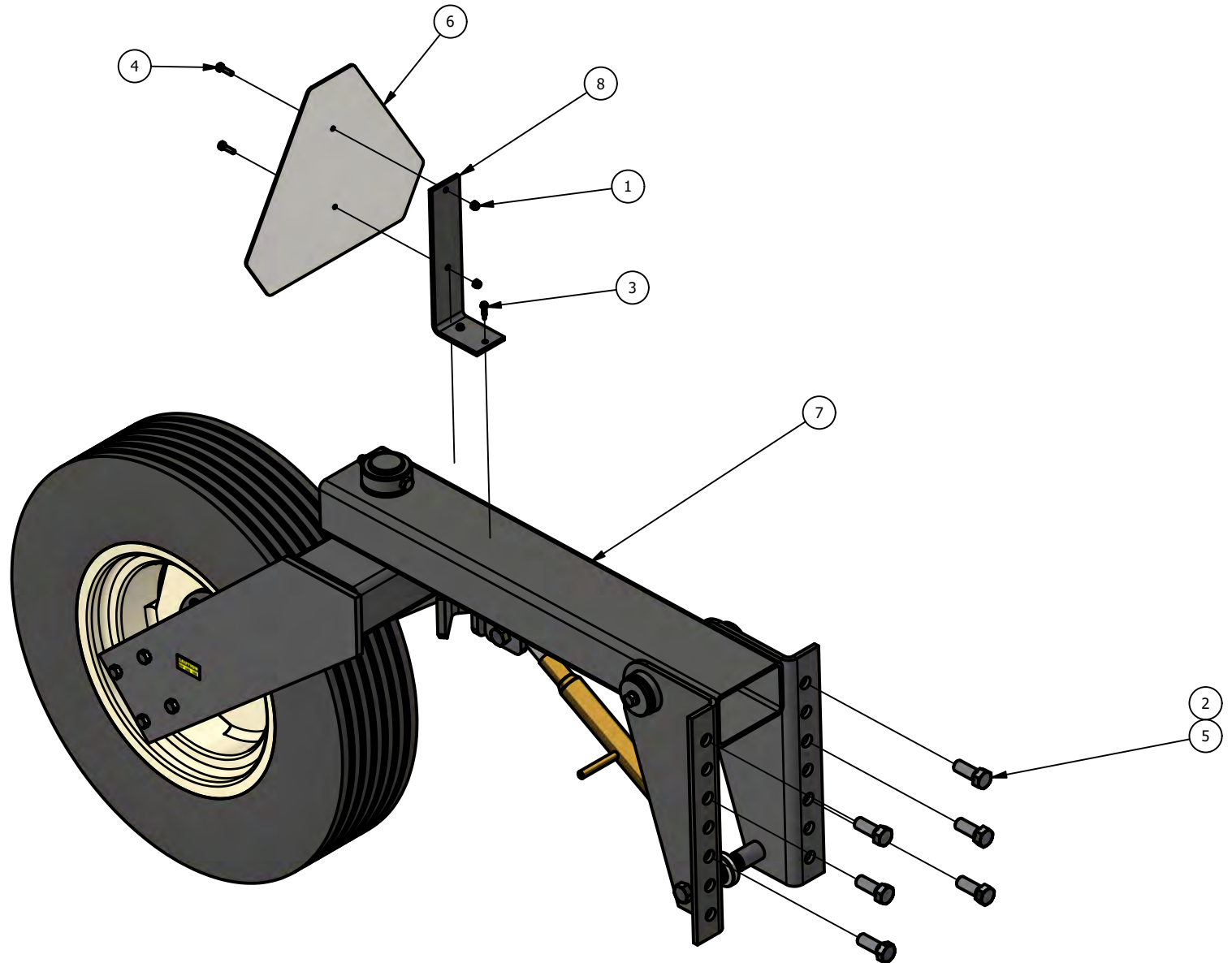
ITEM	ITEM QTY	PART NUMBER	DESCRIPTION
1	20	0315-1414	PLOW BOLT, 7/16x1-1/2 Gr5
2	25	0812-1400	HEX NUT, 7/16
3	1	79-006-36	PLOW SHARE - HEAT TREATED
4	1	79-201-36	1/4" UHMW PLASTIC WING
5	2	79-204-36	SMALL SLIDE - MULTI LIFE
6	2	79-208-36	LOWER WEAR SHIN
7	4	79-218-36	OICW - RUBBER WASHER
8	5	79-483-36	PLOW BOLT, 7/16 x 1 3/4, CLIP HEAD
9	1	85-006-36	MOLD BOARD WELDMENT
10	2	98-207-36	UPPER WEAR SHIN

83-206-36
REAR MOLD BOARD W/ LONG SLIDES - BUNDLE



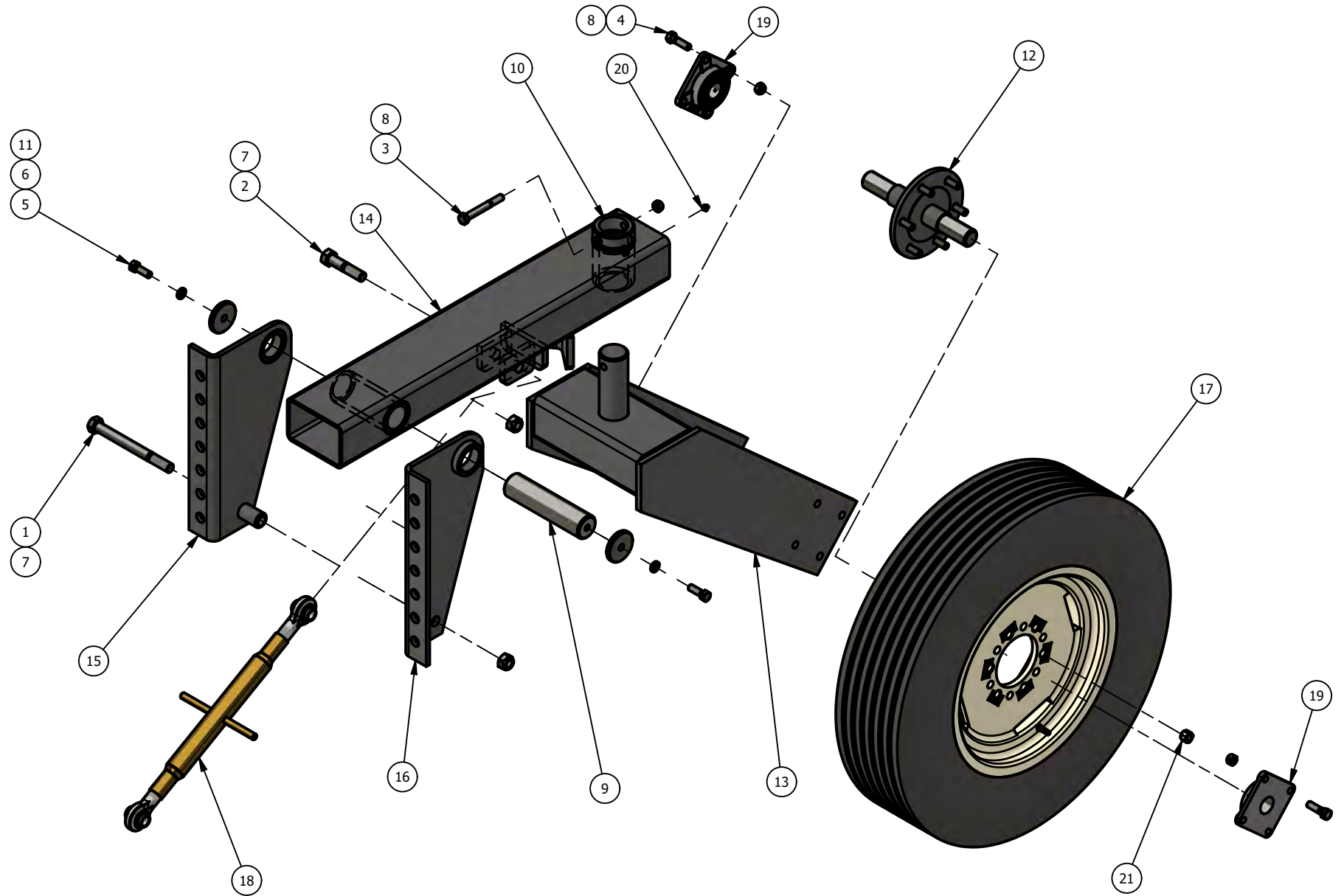
ITEM	ITEM QTY	PART NUMBER	DESCRIPTION
1	1	79-006-36	PLOW SHARE - HEAT TREATED
2	1	79-201-36	1/4" UHMW PLASTIC WING
3	2	79-205-36	LONG SLIDE - MULTI-LIFE
4	2	79-208-36	LOWER WEAR SHIN
5	4	79-218-36	OICW - RUBBER WASHER
6	5	79-483-36	PLOW BOLT, 7/16 x 1 3/4, CLIP HEAD
7	1	85-006-36	MOLD BOARD WELDMENT
8	2	85-217-36	LONG SLIDE BRACE WELDMENT
9	2	98-207-36	UPPER WEAR SHIN
10	24	0315-1414	PLOW BOLT, 7/16x1-1/2 Gr5
11	29	0812-1400	HEX NUT, 7/16
12	1	1412-1600	LOCK NUT, 1/2 STOVER ZP
13	2	1702-1600	FLAT WASHER, 1/2 ZP
14	1	2816-1614	HEX HEAD BOLT, 1/2 X 1 1/2 GR5 ZP

83-004-63
6300, 9400 SWITCH PLOW - REAR GAUGE WHEEL BUNDLE



ITEM	ITEM QTY	PART NUMBER	DESCRIPTION
1	2	0912-0800	LOCK NUT, 1/4 NYLOCK ZP
2	6	1412-2400	LOCK NUT, 3/4 STOVER ZP
3	2	1913-1010	SELF TAP SCREW, 12X1
4	2	2816-0810	HEX HEAD BOLT, 1/4 X 1 GR5 ZP
5	6	2816-2420	HEX HEAD BOLT, 3/4 X 2 GR5 ZP
6	1	79-001-01M	SLOW MOVING VEHICLE SIGN
7	1	84-1000-63	REAR GAUGE WHEEL MAIN ASSEMBLY
8	1	93-1020-63	SMV BRACKET

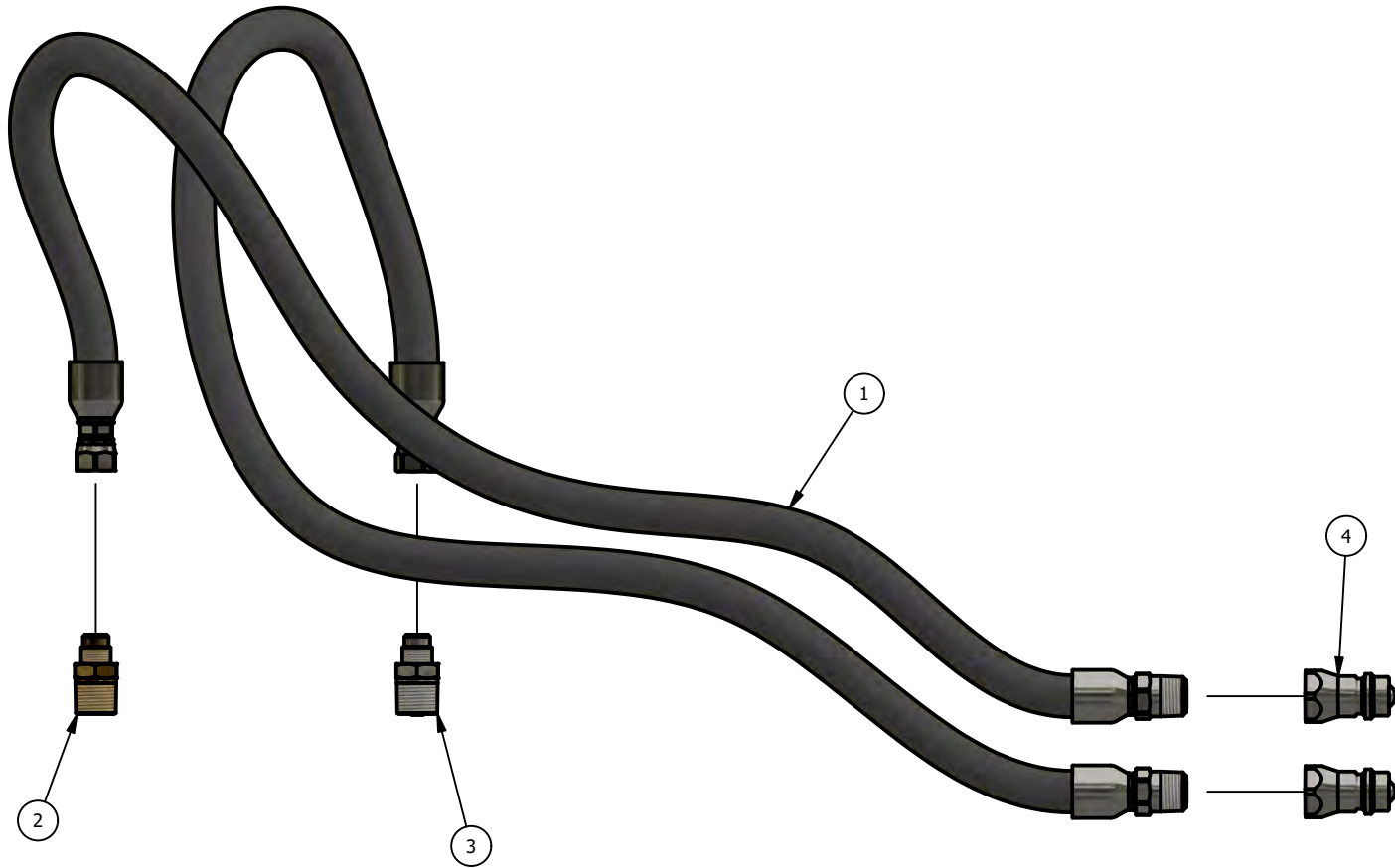
84-1000-63 REAR GAUGE WHEEL MAIN ASSEMBLY



ITEM	ITEM QTY	PART NUMBER	DESCRIPTION
1	1	2816-2480	HEX HEAD BOLT, 3/4 X 8 GR5 ZP
2	1	2816-2434	HEX HEAD BOLT, 3/4 X 3 1/2 GR5 ZP
3	1	2816-1640	HEX HEAD BOLT, 1/2 X 4 GR5 ZP
4	8	2816-1616	HEX HEAD BOLT, 1/2 X 1 3/4 GR5 ZP
5	2	2816-1614	HEX HEAD BOLT, 1/2 X 1 1/2 GR5 ZP
6	2	1602-1600	LOCK WASHER, 1/2 ZP
7	2	1412-2400	LOCK NUT, 3/4 STOVER ZP
8	9	1412-1600	LOCK NUT, 1/2 STOVER ZP
9	1	96-1000-63	GAUGE WHEEL ARM PIN
10	1	94-1002-63	GAUGE WHEEL & PIVOT ROLLER RETAINER BUSHING
11	2	93-1006-63	GAUGE WHEEL ARM PIN CAP
12	1	85-1005-63	GAUGE WHEEL HUB & AXLE WELDMENT
13	1	85-1004-63	REAR GAUGE WHEEL YOKE WELDMENT
14	1	85-1003-63	REAR GAUGE WHEEL ARM WELDMENT
15	1	85-1002-63	REAR GAUGE WHEEL MOUNT - RH WELDMENT
16	1	85-1001-63	REAR GAUGE WHEEL MOUNT - LH WELDMENT
17	1	84-1001-63	REAR GAUGE WHEEL - TIRE, WHEEL & VALVE STEM ASSEMBLY
18	1	79-297-82	ADJUSTABLE TOP LINK
19	2	79-277-06	4 HOLE FLANGE BEARING, 1-7/16" BORE - PICTORIAL
20	1	79-005-38	1/8" NPT GREASE FITTING
21	6	77-024-88	1/2" 90° NUT, SAE GRADE 8

84-1003-94

9400 HYDRAULIC HOSE ASSEMBLY





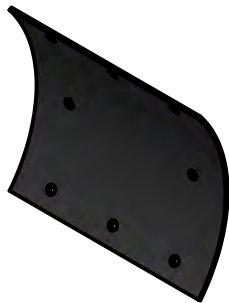
ITEM	ITEM QTY	PART NUMBER	DESCRIPTION
1	2	79-011-28	3/8 DIA. X 66" HYDRAULIC HOSE & FITTINGS
2	1	79-213-28	1/2 MORB TO 3/8 ADAPTOR MJIC
3	1	79-213-28-WO	1/2 MORB TO 3/8 ADAPTOR MJIC WITH ORFICE
4	2	79-482-36	QUICK-CONNECT



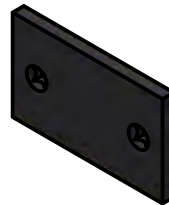
79-006-36
PLOW SHARE - HEAT TREATED



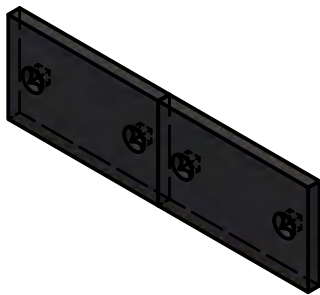
79-061-36
3/8" LYNCH PIN



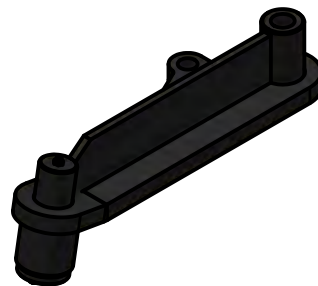
79-201-36
1/4" UHMW PLASTIC WING



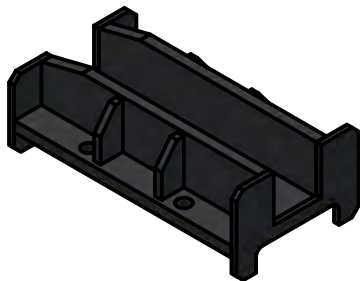
79-204-36
SMALL SLIDE - MULTI LIFE



79-205-36
LONG SLIDE - MULTI-LIFE



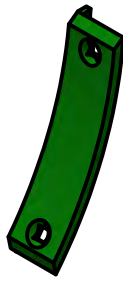
85-005-94
LOCK ARM WELDMENT



85-007-94
GUIDE BRACKET WELDMENT



84-1002-94
PIVOT PIN WELDMENT ASSEMBLY



79-208-36
LOWER WEAR SHIN



98-207-36
UPPER WEAR SHIN



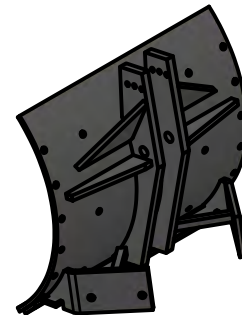
79-482-36
QUICK-CONNECT



84-001-36
WHEEL, TIRE & VALVE STEM ASSEMBLY



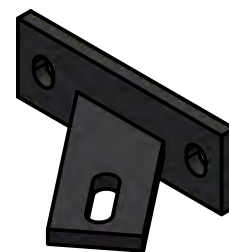
79-1002-63
SLIDE WEAR PAD FOR FRONT SHANK



85-006-36
MOLD BOARD WELDMENT



85-029-36
UPPER HITCH PIN WELDMENT



85-217-36
LONG SLIDE BRACE WELDMENT



85-222-36
INTERMEDIATE SHANK WELDMENT



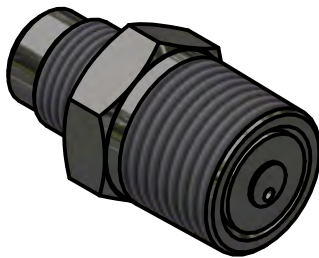
93-1006-63
GAUGE WHEEL ARM PIN CAP



96-1000-63
GAUGE WHEEL ARM PIN



96-015-36
LOWER HITCH PIN



79-213-28-WO
1/2 MORB TO 3/8 ADAPTOR MJIC WITH ORFICE



79-213-28
1/2 MORB TO 3/8 ADAPTOR MJIC



79-297-82
ADJUSTABLE TOP LINK