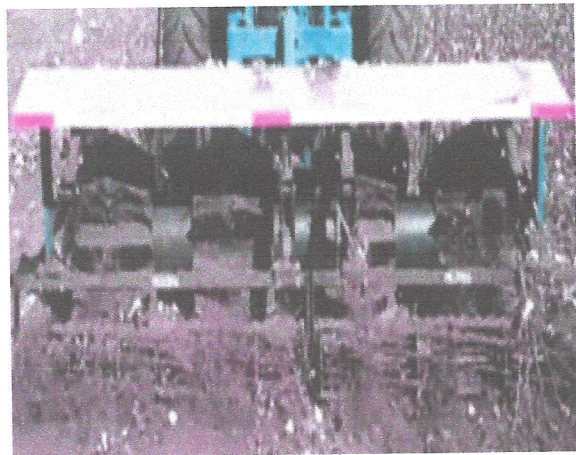




75 SERIES COTTON STALK CHOPPER

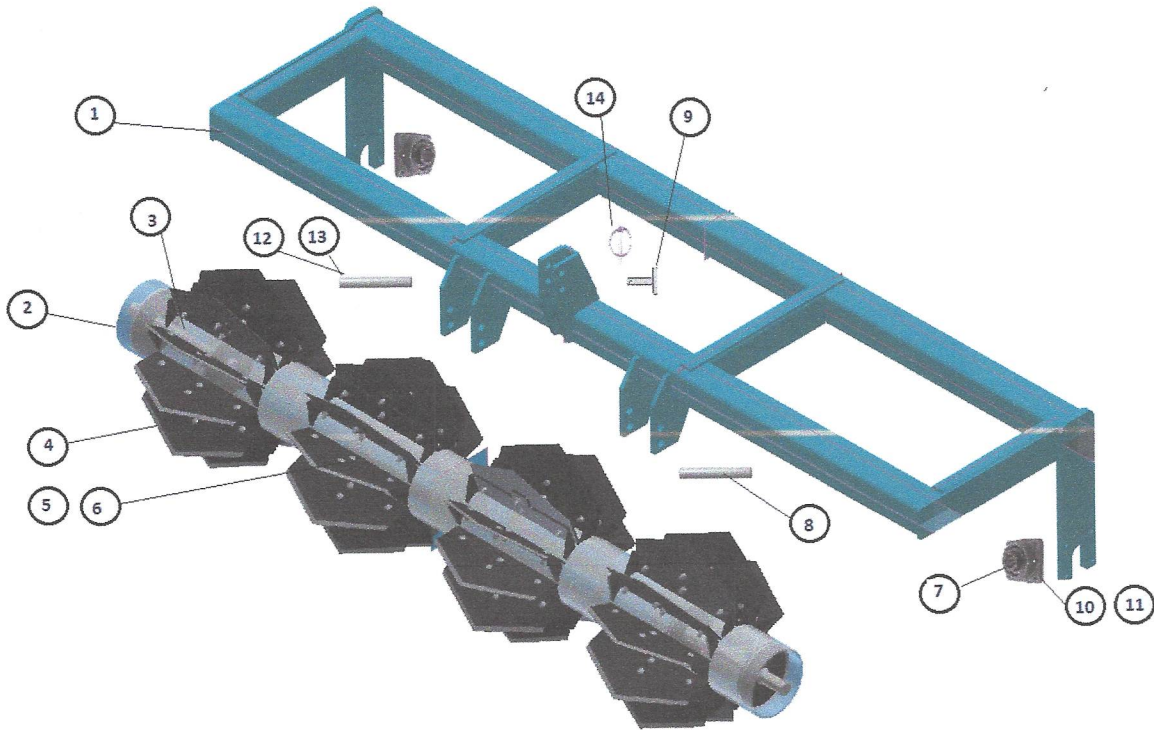
TRIP SHANK WITH BASKETS AND SHIELDS



PARTS MANUAL AUG. 2017



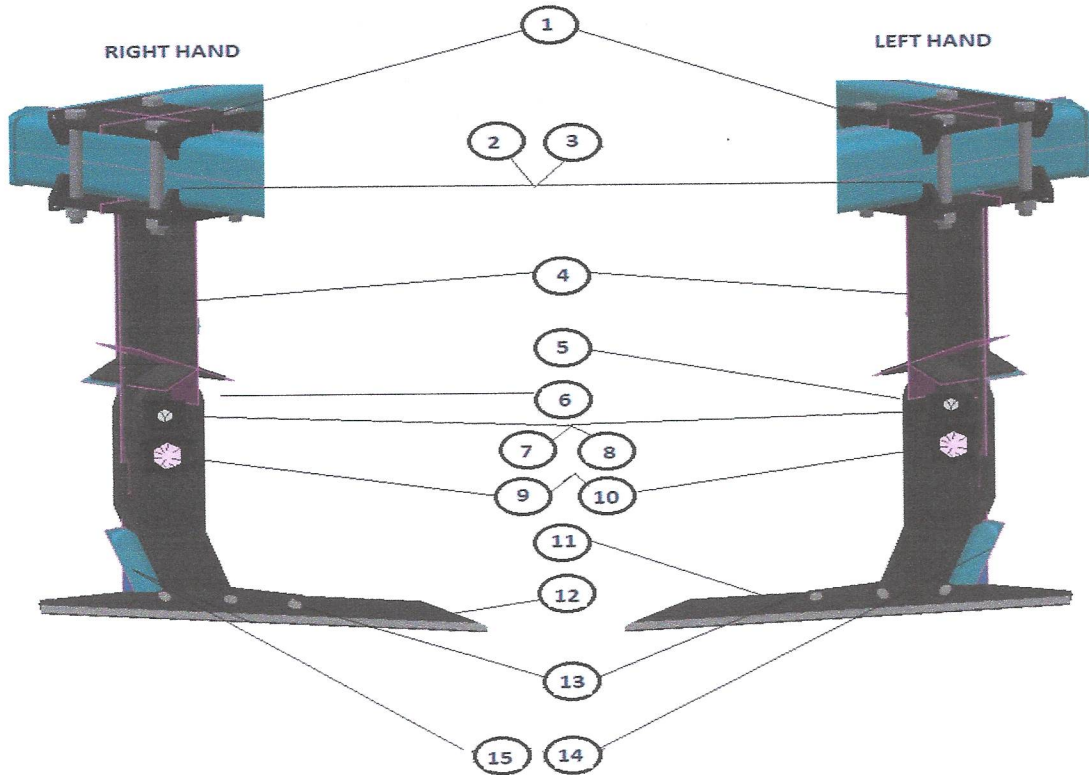
CHOPPER MAIN FRAME AND ROLLER ASSEMBLY



| ITEM | PART NUMBER | QTY | DESCRIPTION |
|------|--------------|-----|--|
| 1 | HA 85 023 75 | 1 | MAIN FRAME 4 ROW |
| 2 | HA 85 016 75 | 1 | DRUM 4 ROW 38" |
| 3 | HA 93 022 75 | 40 | DRUM BLADE MOUNTS |
| 4 | HA 93 014 75 | 40 | 24" BLADES |
| 5 | 0912-2000 | 160 | LOCK NUT 5/8 |
| 6 | 0512-2000 | 160 | HEX BOLT CARRIAGEHEAD 5/8 X 2 |
| 7 | HA 79 070 90 | 2 | 4 HOLE FLANGE BEARING |
| 8 | HA 96 001 75 | 2 | LOWER LIFT PINS |
| 9 | HA 85 029 36 | 1 | UPPER LIFT PIN |
| 10 | 2816-2034 | 8 | 5/8 X 3-1/2 HEX HEAD BOLT FOR FLANGE BRG |
| 11 | 1412-2000 | 8 | 5/8 STOVER NUT FOR FLANGE BEARING |
| 12 | 2816-1220 | 4 | 3/8 X 2 GR 5 HEX NUT FOR LOWER LIFT PIN |
| 13 | 1412-1200 | 4 | 3/8 STOVER NUT FOR LOWER LIFT PIN |
| 14 | HA 79 010 75 | 1 | LYNCH PIN 7/16 |



RIGHT AND LEFT HAND TRIP SHANKS FOR CHOPPER



| ITEM | PART NUMBER | QTY | DESCRIPTION |
|------|---------------|-----|--------------------------|
| 1 | HA 85 017 36 | 1 | TOP PLATE |
| 2 | 2816-2890 | 4 | 7/8 X 9 HEX BOLT |
| 3 | 1602-2800 | 4 | 7/8 LOCK WASHER |
| 3A | 0812-2800 | 4 | 7/8 HEX NUT |
| 4 | HA 85 027 75 | 1 | TOP SHANK |
| 5 | HA 85 004 75T | 1 | TRIP SHANK LH |
| 6 | HA 85 003 75T | 1 | TRIP SHANK RH |
| 7 | 2816-1234 | 1 | 3/8 X 3-1/2 HEX BOLT GR5 |

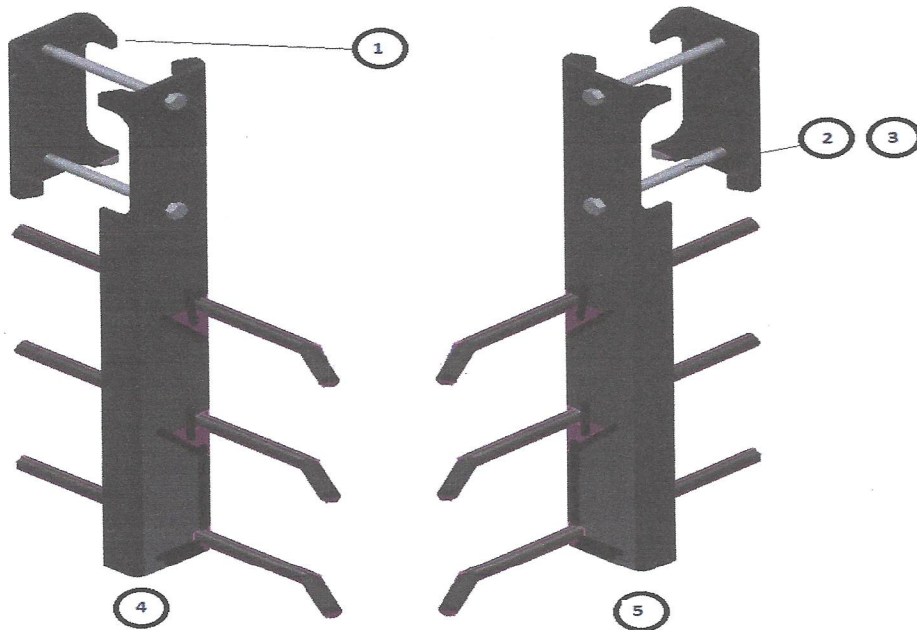
| ITEM | PART NUMBER | QTY | DESCRIPTION |
|------|--------------|-----|---------------------------|
| 8 | 1412-1200 | 1 | 3/8 STOVER NUT |
| 9 | 2818-2834 | 1 | 7/8 X 3-1/2 HEX BOLT GR 8 |
| 10 | 1412-2800 | 1 | 7/8 STOVER NUT |
| 11 | HA 79 006 75 | 1 | LH POINT |
| 12 | HA 79 005 75 | 1 | RH POINT |
| 13 | 0315-1412 | 3 | PLOW BOLTS |
| 13A | 0812-1400 | 3 | PLOW BOLT NUTS |
| 14 | HA 79 020 75 | 1 | LH WEAR SHIN |
| 15 | HA 79 019 75 | 1 | RH WEAR SHIN |



HA 84-004-75

HA 84-005-75

R.H. & L.H. ROW GUIDES

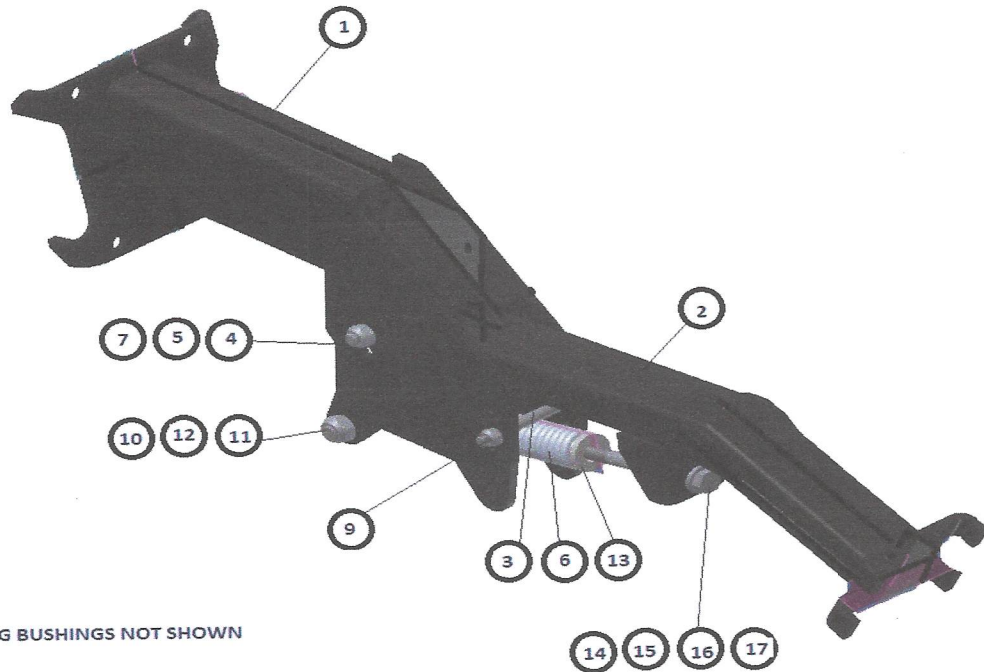


| ITEM | PART NUMBER | QTY | DESCRIPTION |
|------|-------------|-----|-----------------------------------|
| 1 | 93-028-75 | 1 | CROP CHOPPER SHIELD SUPPORT CLAMP |
| 2 | 2816-1672 | 2 | Hex Head Bolt, 1/2 x 7 1/4 Gr5 ZP |
| 3 | 1412-1600 | 2 | Lock Nut, 1/2 Stover ZP |
| 4 | 85-026-75 | 1 | CROP CHOPPER ROW GUIDE - LH |
| 5 | 85-025-75 | 1 | CROP CHOPPER ROW GUIDE - RH |



HA 84 1021 75A

SHIELD BASKET ARM ASSEMBLY



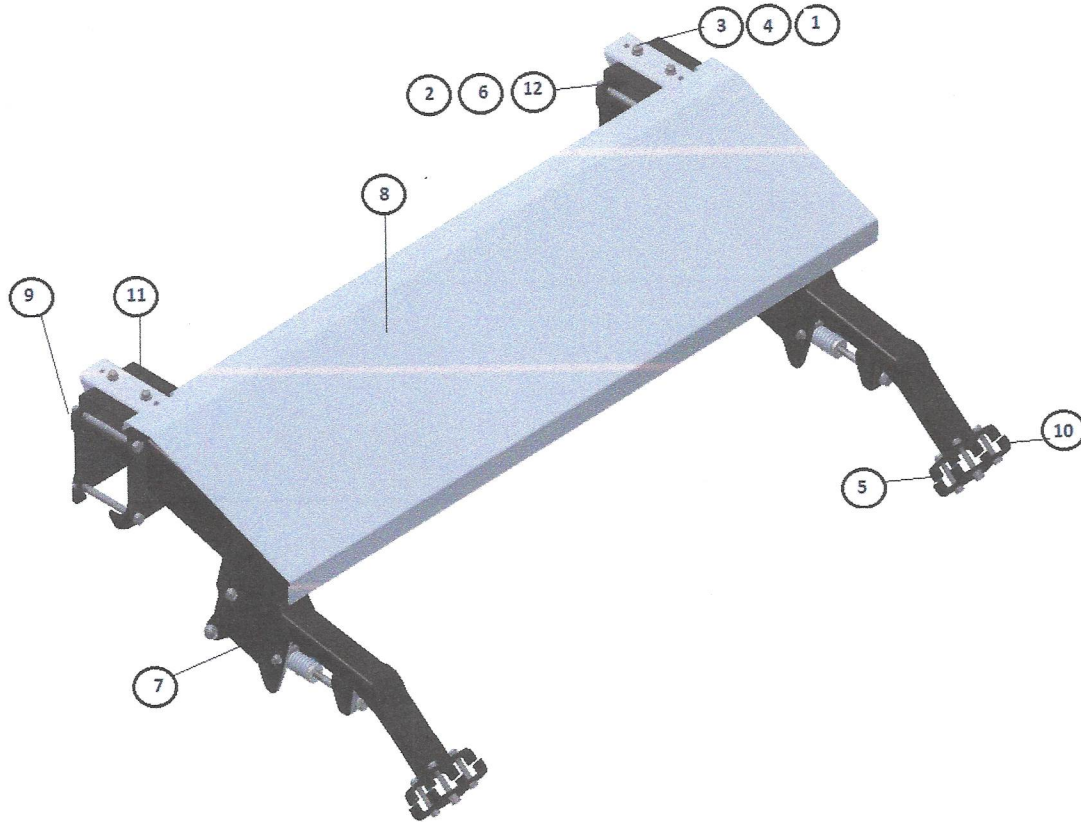
| ITEM | PART NUMBER | QTY | DESCRIPTION |
|------|-------------|-----|-----------------------------------|
| 1 | 85-1027-75 | 1 | PIVOT ARM SUPPORT WELDMENT |
| 2 | 85-1025-75 | 1 | PIVOT ARM WELDMENT |
| 3 | 2816-1644 | 1 | Hex Head Bolt, 1/2 x 4 1/2 Gr5 ZP |
| 4 | 2816-2044 | 1 | Hex Head Bolt, 5/8 x 4 1/2 Gr5 ZP |
| 5 | 1702-2000 | 1 | Flat Washer, 5/8 ZP |
| 6 | 79-026-75 | 1 | Spring Assembly |
| 7 | 2816-2060 | 1 | Hex Head Bolt, 5/8 x 6 Gr5 ZP |
| 8 | 94-1008-75 | 2 | ROUND BUSHING |

| ITEM | PART NUMBER | QTY | DESCRIPTION |
|------|-------------|-----|------------------------------|
| 9 | 1412-1600 | 1 | Lock Nut, 1/2 Stover ZP |
| 10 | 1412-2000 | 1 | Lock Nut, 5/8 Stover ZP |
| 11 | 2816-2444 | 1 | Hex Head Bolt, 3/4x4 1/2 Gr5 |
| 12 | 1412-2400 | 1 | Lock Nut, 3/4 Stover ZP |
| 13 | 79-012-15 | 1 | SPRING INSERT |
| 14 | 2816-2060 | 1 | Hex Head Bolt, 5/8 x 6 Gr5 |
| 15 | 1412-2000 | 1 | Lock Nut, 5/8 Stover ZP |
| 16 | 1702-2000 | 2 | Flat Washer , 5/8 ZP |
| 17 | 1012-2200 | 1 | 5/8 Jam Nut |



HA 84 1023 75A

BASKET ARM SHIELD ASSEMBLY

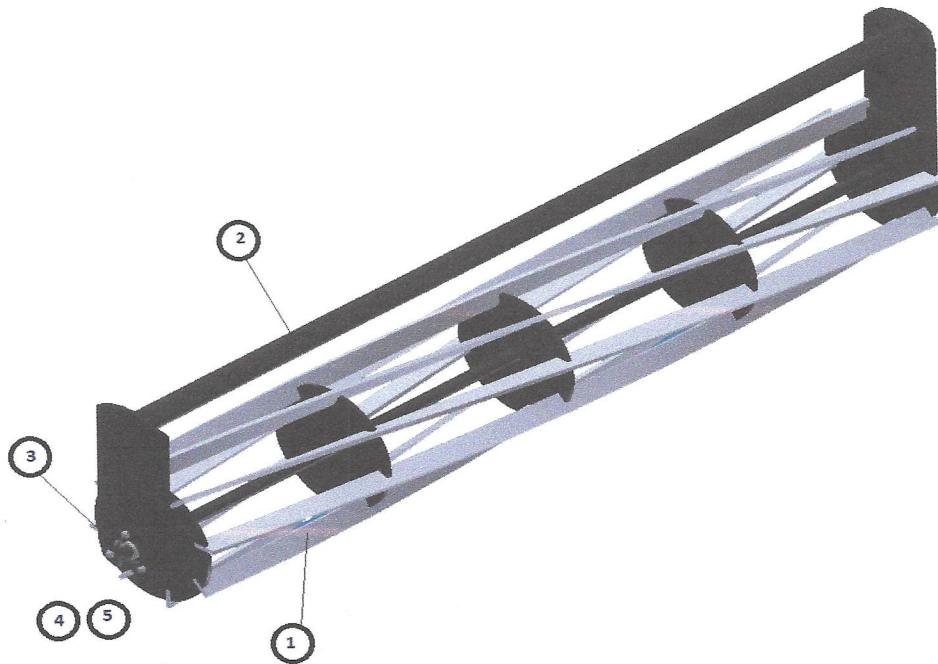


| ITEM | PART NUMBER | QTY | DESCRIPTION |
|------|-------------|-----------|-----------------------------------|
| 5 | 2816-1632 | 8 | Hex Head Bolt, 1/2 x 3 1/4 Gr5 ZP |
| 10 | 93-1034-75 | 2 | PIVOT ARM BRACKET CLAMP |
| 11 | 94-007-75 | 13.000 in | SHIELD RISER TUBE |
| 6 | 2816-2074 | 8 | Hex Head Bolt, 5/8 x 7-1/2 Gr5 ZP |
| 2 | 1412-2000 | 8 | Lock Nut, 5/8 Stover ZP |
| 8 | 85-021-75 | 1 | 72" CROP CHOPPER SHIELD WELDMENT |
| 4 | 2816-1614 | 4 | Hex Head Bolt, 1/2 x 1 1/2 Gr5 ZP |
| 2 | 1702-1600 | 4 | Flat Washer, 1/2 ZP |
| 1 | 1412-1600 | 12 | Lock Nut, 1/2 Stover ZP |
| 7 | 84-1021-75 | 2 | BASKET SPRING PIVOT ARM ASSEMBLY |
| 9 | 93-1030-75 | 2 | TOOL BAR CLAMP |
| 12 | 1702-2000 | 8 | 5/8 FLAT WASHER |



HA 84 1022 75A

BASKET ASSEMBLY



| ITEM | PART NUMBER | QTY | DESCRIPTION |
|------|-------------|-----|---|
| 1 | 85-1028-75 | 1 | BASKET WELDMENT |
| 2 | 85-1029-75 | 1 | BASKET HANGER WELDMENT |
| 3 | 79-026-75 | 2 | BEARING - 3 BOLT , 1-1/8" BORE, TRIPLE SEAL W/ LOCKING COLLAR |
| 4 | 1412-1200 | 6 | Lock Nut, 3/8 Stover ZP |
| 5 | 0514-1212 | 6 | Carriage Bolt, 3/8 x 1-1/4 ZP |