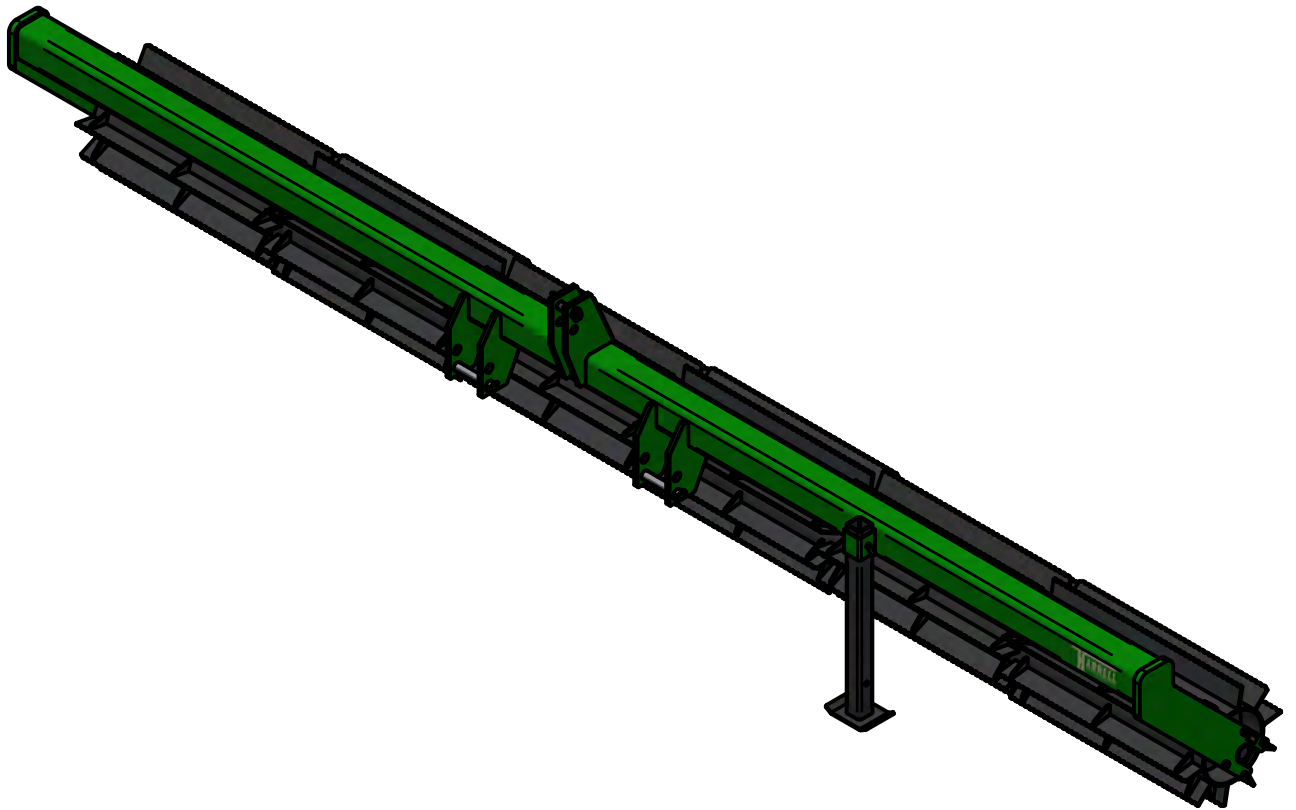




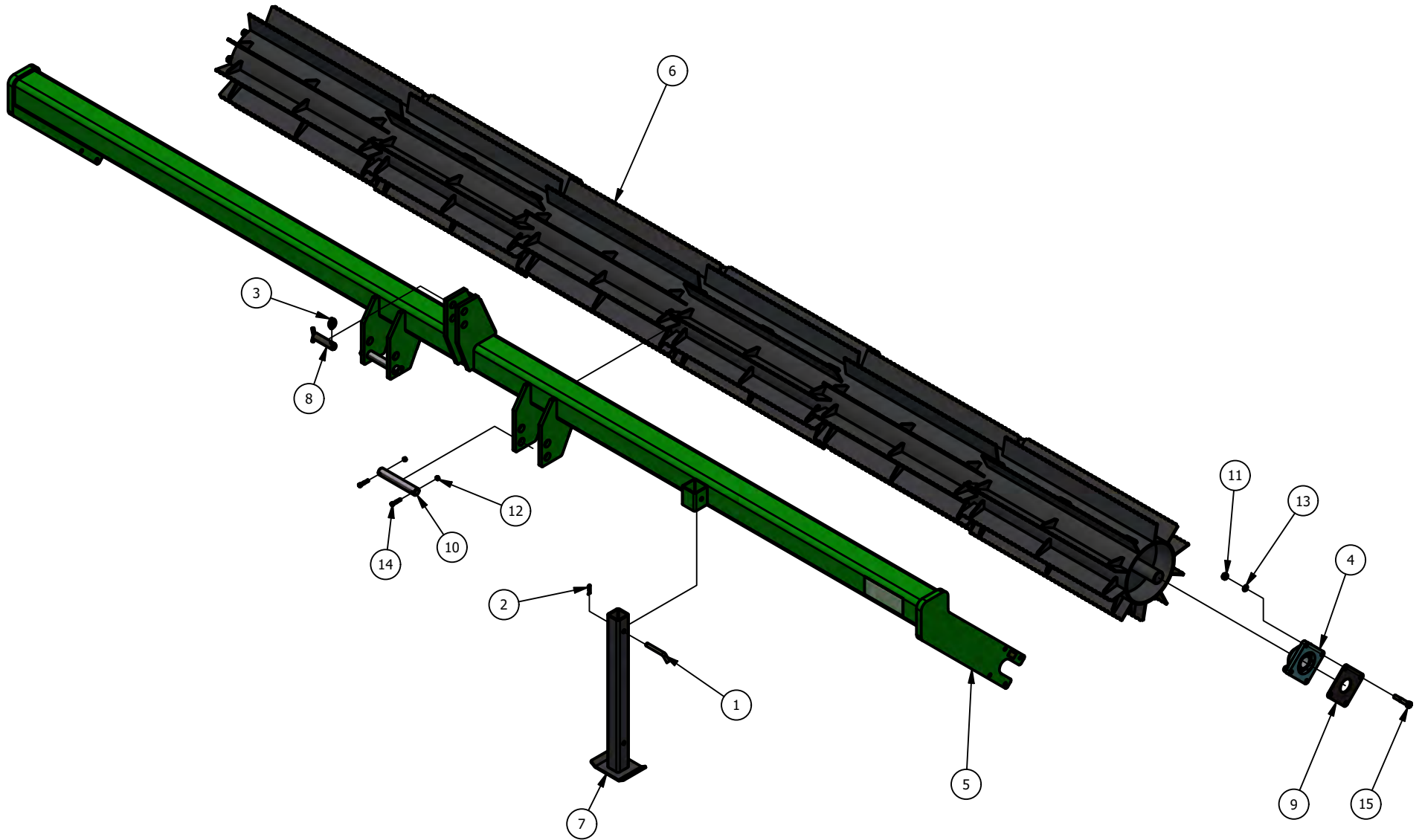
CRIMPER ROLLER 1206R-38



216 INDUSTRIAL BLVD., RAMP 2
BAINBRIDGE, GA 39817
(229) 246-0350
www.harrellag.com

12-PM-002-01

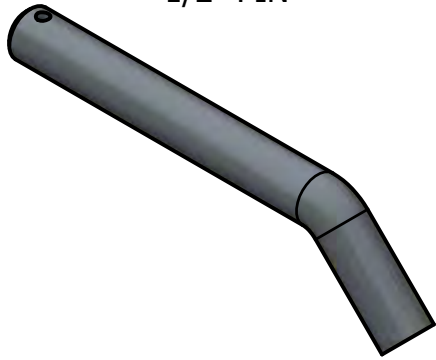
70-002-12
CRIMPER ROLLER - 1206-R38





ITEM	ITEM QTY	PART NUMBER	DESCRIPTION
1	1	79-010-12	1/2" PIN
2	1	79-011-12	1/8" HAIR PIN
3	1	79-061-36	3/8" LYNCH PIN
4	2	79-070-90	4 BOLT FLANGE BEARING
5	1	85-002-12	TOOLBAR WELDMENT - 6 ROW 36
6	1	85-004-12	DRUM WELDMENT - 6 ROW 36
7	1	85-005-12	STAND WELDMENT
8	1	85-029-36	UPPER HITCH PIN WELDMENT
9	2	93-008-75	DRUM RETAINER PLATE
10	2	96-001-75	LOWER HITCH PIN
11	8	0812-2000	HEX NUT, 5/8 ZP
12	4	1412-1200	LOCK NUT, 3/8 STOVER ZP
13	8	1602-2000	LOCK WASHER, 5/8 ZP
14	4	2816-1220	HEX HEAD BOLT, 3/8 X 2 GR5 ZP
15	8	2816-2034	HEX HEAD BOLT, 5/8 X 3 1/2 GR5 ZP

79-010-12
1/2" PIN



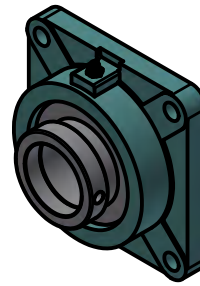
79-043-06
1/8" HAIR PIN



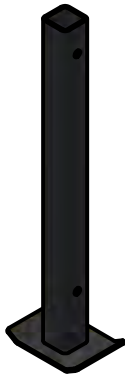
79-061-36
3/8" LYNCH PIN



79-070-90
4 BOLT FLANGE BEARING



85-005-12
STAND WELDMENT



85-029-36
UPPER HITCH PIN WELDMENT



93-008-75
DRUM RETAINER PLATE



96-001-75
LOWER HITCH PIN

