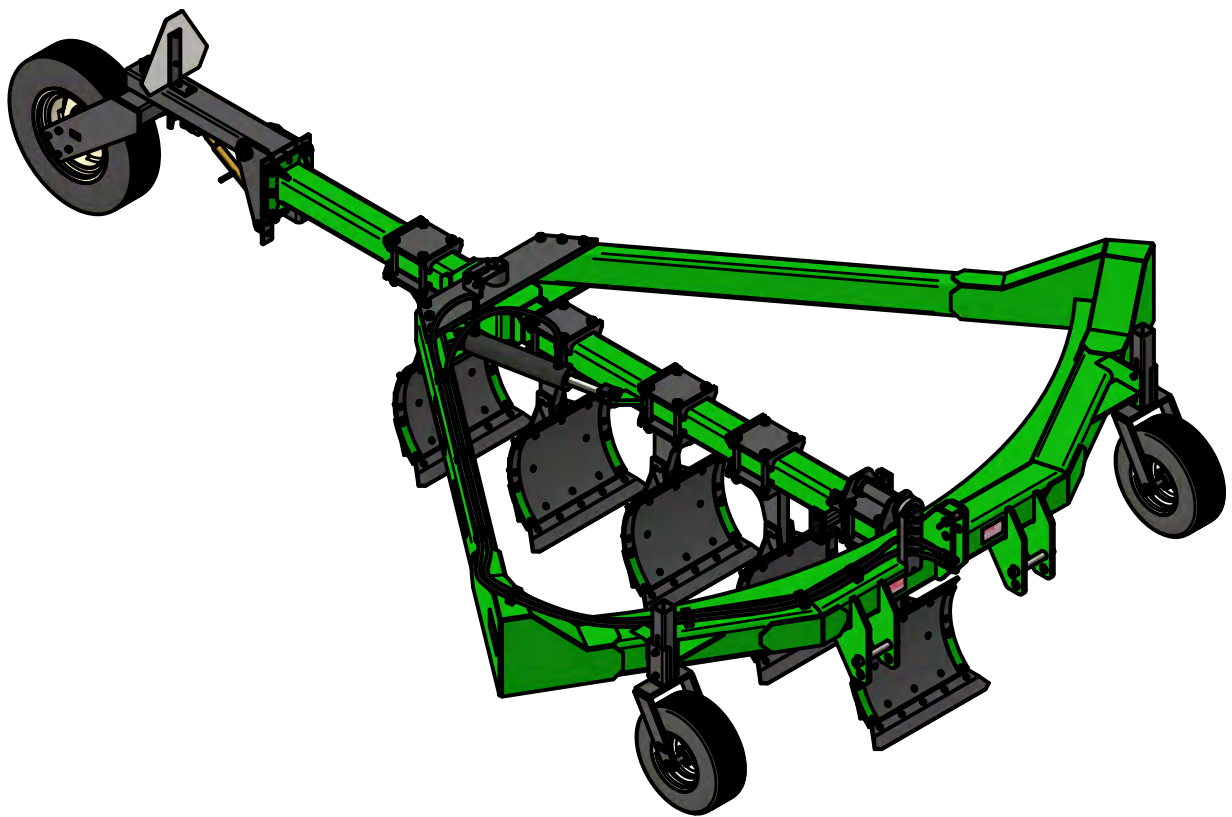




6305 ON LAND PLOW

PARTS MANUAL



216 INDUSTRIAL BLVD., RAMP 2
BAINBRIDGE, GA 39817
(229) 246-0350
www.harrellag.com

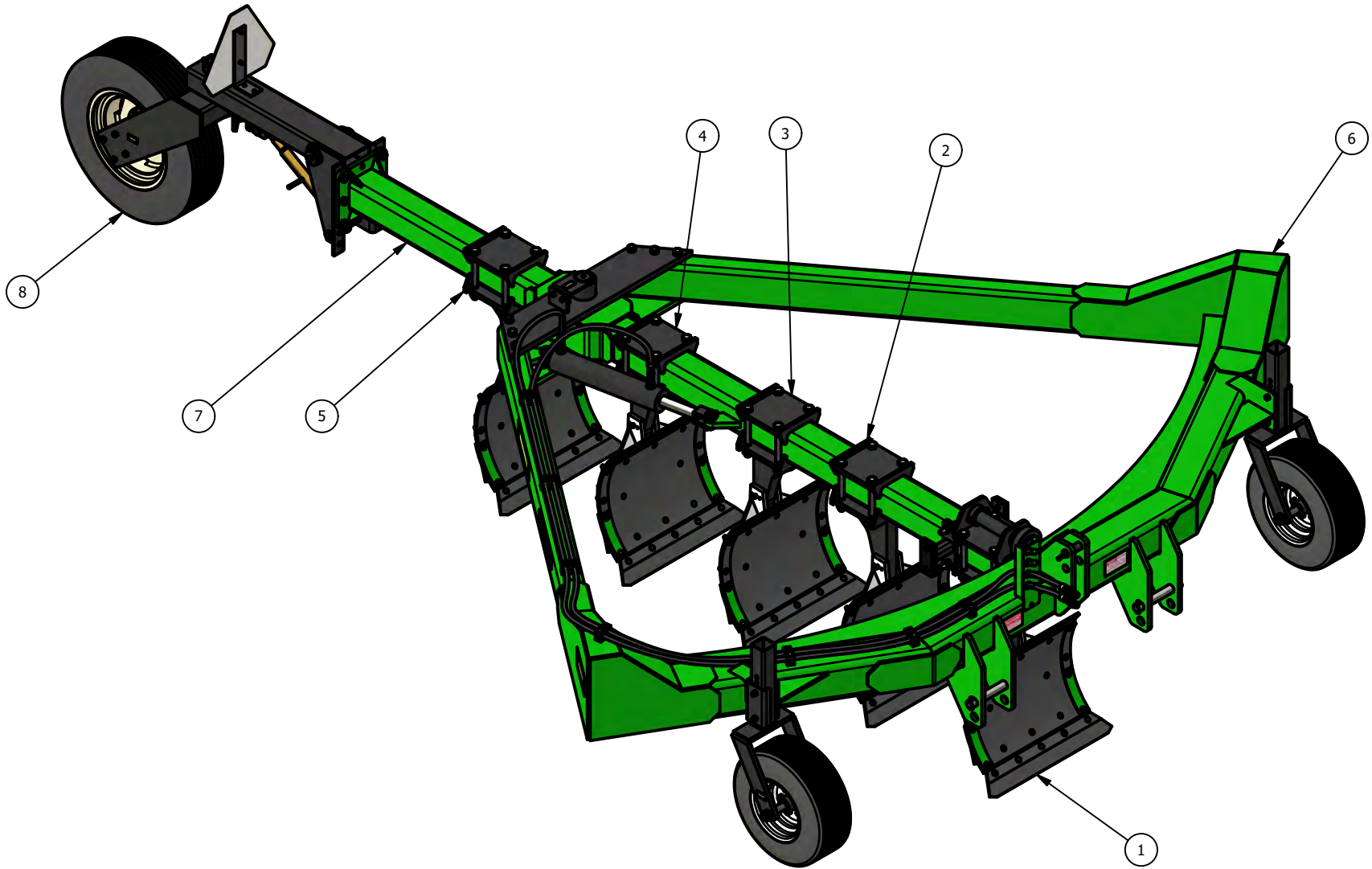
63-PM-001-01

TABLE OF CONTENTS

| | | |
|-----------------|--------------------------------------|----|
| 70-001-63..... | 6305 - 5 BOTTOM PLOW..... | 4 |
| 72-001-63..... | FRONT BOTTOM KIT..... | 6 |
| 72-002-63..... | FORWARD INTERMEDIATE BOTTOM KIT..... | 8 |
| 72-003-63..... | REVERSE INTERMEDIATE BOTTOM KIT..... | 10 |
| 72-004-63..... | REVERSE REAR BOTTOM KIT..... | 12 |
| 72-005-63..... | FORWARD REAR BOTTOM KIT..... | 14 |
| 83-001-63..... | FRAME..... | 16 |
| 83-003-63..... | TOOL BAR..... | 18 |
| 83-003-36..... | MOLD BOARD w/SHORT SLIDES..... | 20 |
| 83-206-36..... | MOLD BOARD w/LONG SLIDES..... | 22 |
| 83-004-63..... | REAR GAUGE WHEEL BUNDLE..... | 24 |
| 84-214-36..... | TOOL BAR PIVOT ROLLER..... | 26 |
| 84-1000-63..... | REAR GAUGE WHEEL ASSEMBLY..... | 28 |
| 84-003-63..... | FRONT GAUGE WHEEL..... | 30 |
| 84-1006-63..... | TOOL BAR STOP..... | 32 |
| 84-1007-63..... | FRONT SHANK ASSEMBLY..... | 34 |
| 84-1014-63..... | FRONT GAUGE WHEEL HUB..... | 36 |
| 79-047-36..... | HYDRAULIC CYLINDER/SEALS..... | 38 |
| MISC PARTS..... | | 39 |

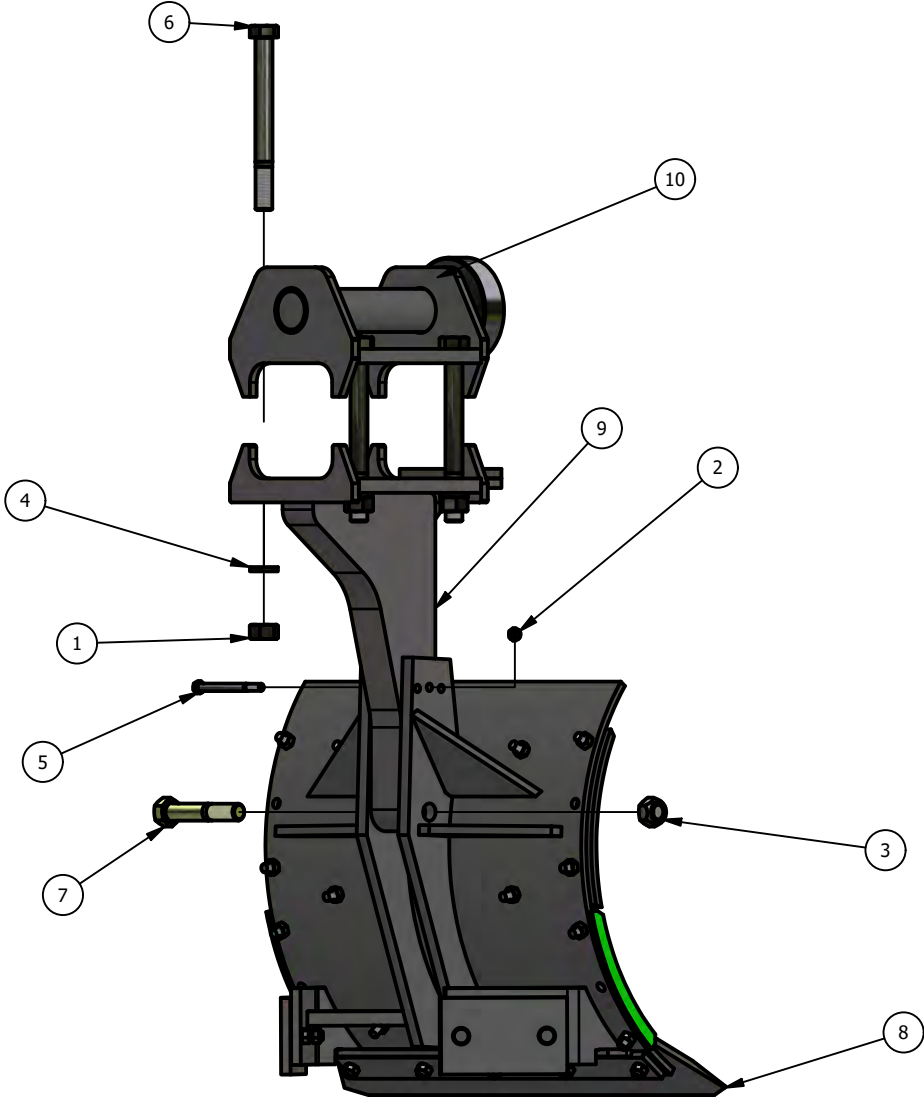
6305 - 5 BOTTOM

70-001-63



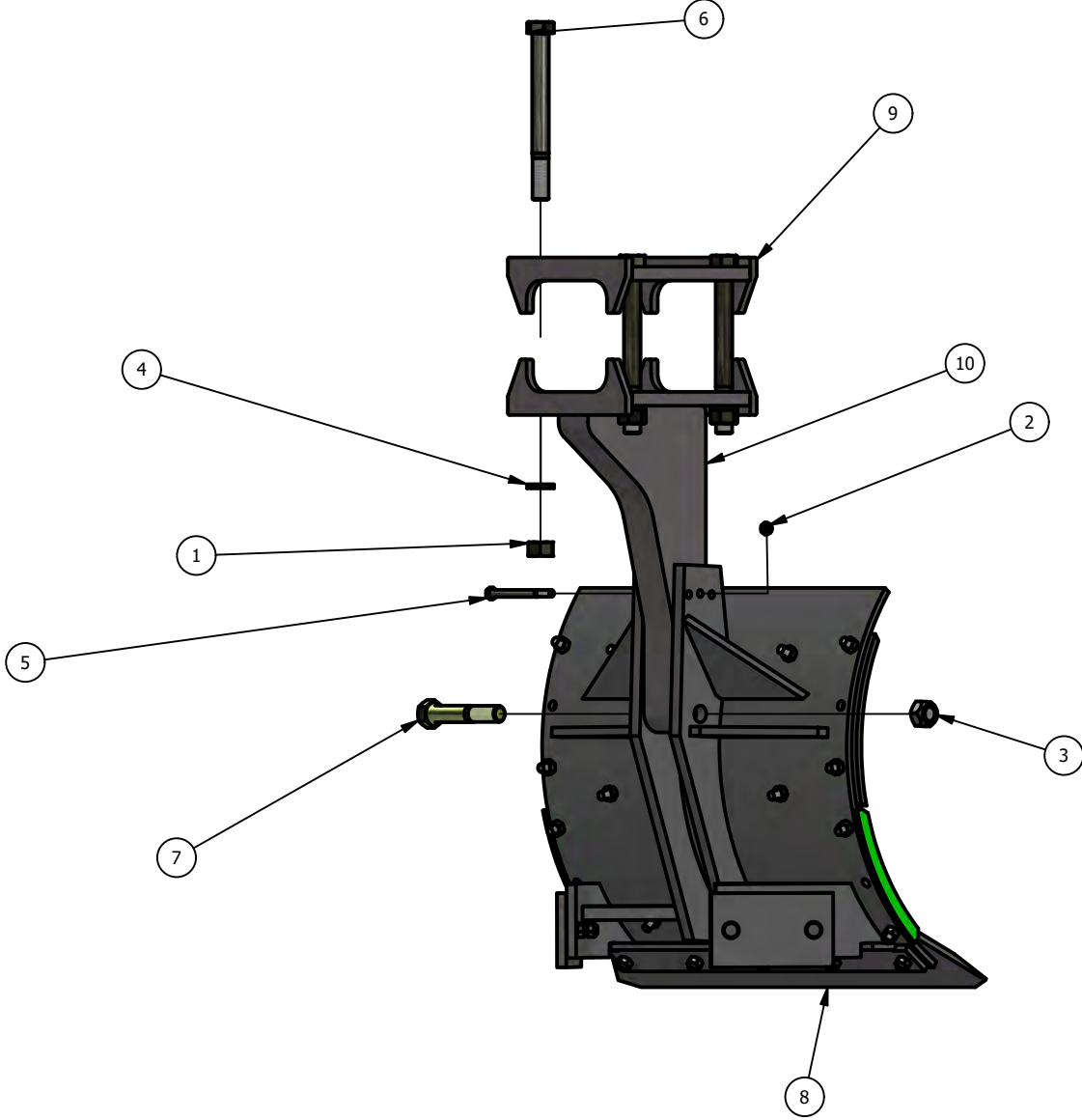
| ITEM | ITEM QTY | PART NUMBER | DESCRIPTION |
|------|----------|-------------|--|
| 1 | 1 | 72-001-63 | 6300 SWITCH PLOW - FRONT BOTTOM KIT |
| 2 | 1 | 72-002-63 | 6300 SWITCH PLOW - FORWARD INTERMEDIATE BOTTOM KIT |
| 3 | 1 | 72-003-63 | 6300 SWITCH PLOW - REVERSE INTERMEDIATE BOTTOM KIT |
| 4 | 1 | 72-004-63 | 6300 SWITCH PLOW - REVERSE REAR BOTTOM KIT |
| 5 | 1 | 72-005-63 | 6300 SWITCH PLOW - FORWARD REAR BOTTOM KIT |
| 6 | 1 | 83-001-63 | 6300 SWITCH PLOW - FRAME BUNDLE |
| 7 | 1 | 83-003-63 | 6300 TOOL BAR |
| 8 | 1 | 83-004-63 | 6300, 9400 SWITCH PLOW - REAR GAUGE WHEEL BUNDLE |

72-001-63
6300 SWITCH PLOW - FRONT BOTTOM KIT



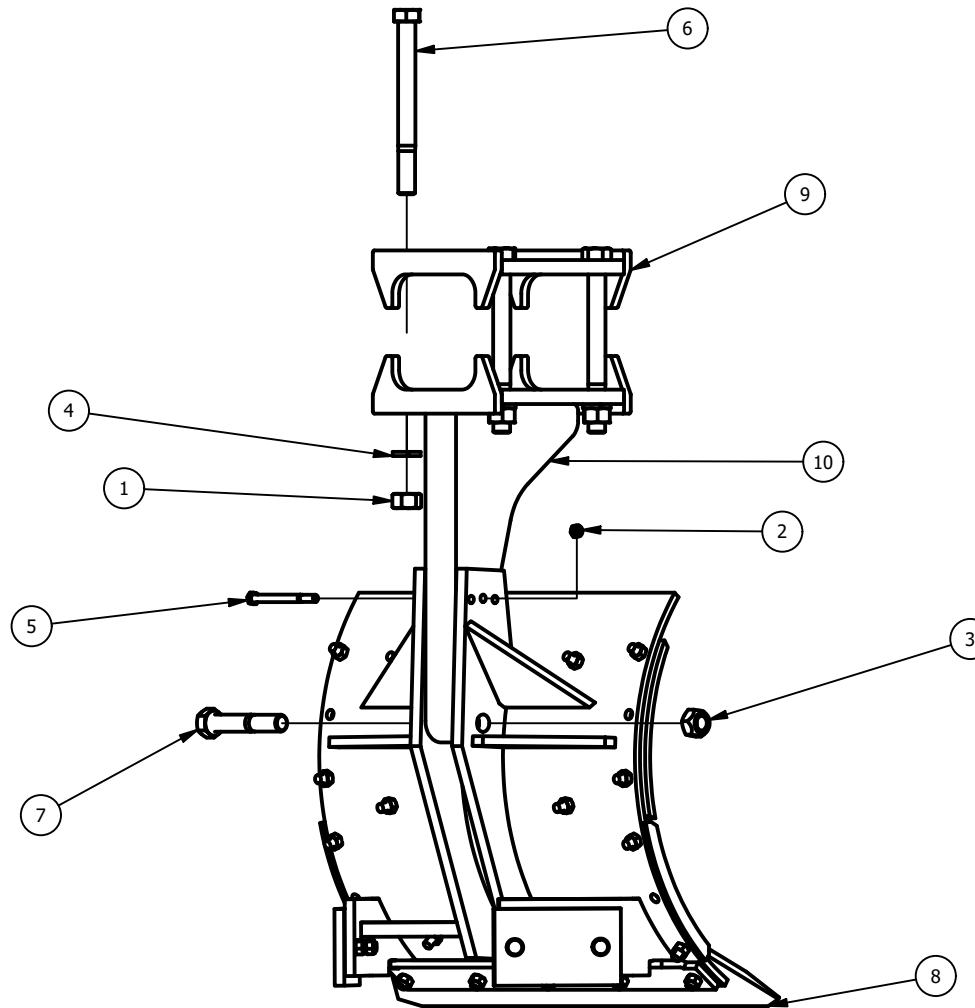
| ITEM | ITEM QTY | PART NUMBER | DESCRIPTION |
|------|----------|-------------|--|
| 1 | 4 | 0812-2800 | HEX NUT, 7/8 |
| 2 | 1 | 1412-1200 | LOCK NUT, 3/8 STOVER ZP |
| 3 | 1 | 1412-2800 | LOCK NUT, 7/8 STOVER ZP |
| 4 | 4 | 1602-2800 | LOCK WASHER, 7/8 ZP |
| 5 | 1 | 2816-1244 | HEX HEAD BOLT, 3/8 X 4 1/2 GR5 ZP |
| 6 | 4 | 2816-2890 | HEX HEAD BOLT, 7/8 X 9 GR5 ZP |
| 7 | 1 | 2818-2850 | HEX HEAD BOLT, 7/8 X 5 GR 8 |
| 8 | 1 | 83-003-36 | INTERMEDIATE MOLD BOARD W/ SHORT SLIDES - BUNDLE |
| 9 | 1 | 84-1007-63 | FRONT SHANK ASSEMBLY |
| 10 | 1 | 84-214-36 | TOOL BAR PIVOT ROLLER ASSEMBLY |

72-002-63
6300 SWITCH PLOW - FORWARD INTERMEDIATE BOTTOM KIT



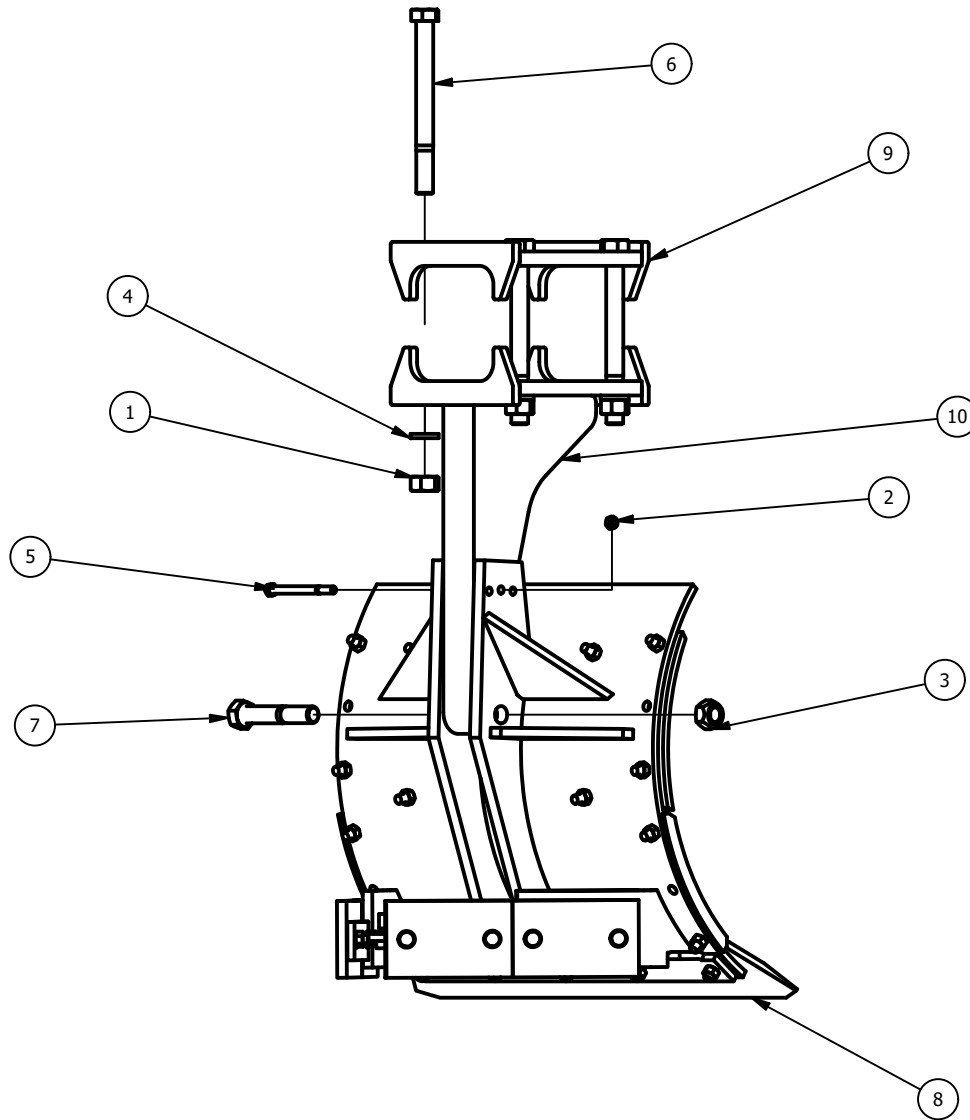
| ITEM | ITEM QTY | PART NUMBER | DESCRIPTION |
|------|----------|-------------|--|
| 1 | 4 | 0812-2800 | HEX NUT, 7/8 |
| 2 | 1 | 1412-1200 | LOCK NUT, 3/8 STOVER ZP |
| 3 | 1 | 1412-2800 | LOCK NUT, 7/8 STOVER ZP |
| 4 | 4 | 1602-2800 | LOCK WASHER, 7/8 ZP |
| 5 | 1 | 2816-1244 | HEX HEAD BOLT, 3/8 X 4 1/2 GR5 ZP |
| 6 | 4 | 2816-2890 | HEX HEAD BOLT, 7/8 X 9 GR5 ZP |
| 7 | 1 | 2818-2850 | HEX HEAD BOLT, 7/8 X 5 GR 8 |
| 8 | 1 | 83-003-36 | INTERMEDIATE MOLD BOARD W/ SHORT SLIDES - BUNDLE |
| 9 | 1 | 85-017-36 | TOP PLATE WELDMENT, 6" TOOL BAR |
| 10 | 1 | 85-222-36 | INTERMEDIATE SHANK WELDMENT |

72-003-63
6300 SWITCH PLOW - REVERSE INTERMEDIATE BOTTOM KIT



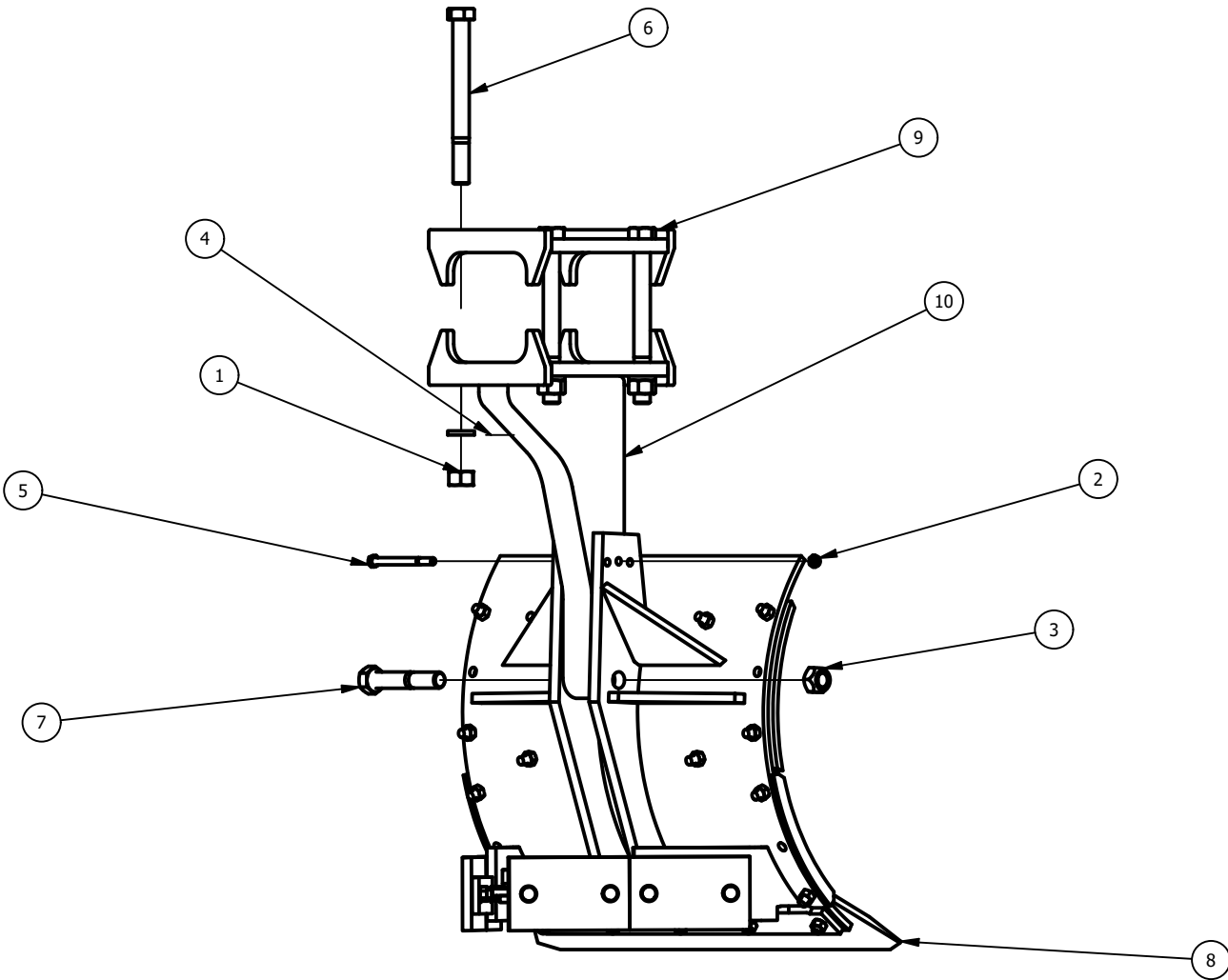
| ITEM | ITEM QTY | PART NUMBER | DESCRIPTION |
|------|----------|-------------|--|
| 1 | 4 | 0812-2800 | HEX NUT, 7/8 |
| 2 | 1 | 1412-1200 | LOCK NUT, 3/8 STOVER ZP |
| 3 | 1 | 1412-2800 | LOCK NUT, 7/8 STOVER ZP |
| 4 | 4 | 1602-2800 | LOCK WASHER, 7/8 ZP |
| 5 | 1 | 2816-1244 | HEX HEAD BOLT, 3/8 X 4 1/2 GR5 ZP |
| 6 | 4 | 2816-2890 | HEX HEAD BOLT, 7/8 X 9 GR5 ZP |
| 7 | 1 | 2818-2850 | HEX HEAD BOLT, 7/8 X 5 GR 8 |
| 8 | 1 | 83-003-36 | INTERMEDIATE MOLD BOARD W/ SHORT SLIDES - BUNDLE |
| 9 | 1 | 85-017-36 | TOP PLATE WELDMENT, 6" TOOL BAR |
| 10 | 1 | 85-222-36 | INTERMEDIATE SHANK WELDMENT |

72-004-63
6300 SWITCH PLOW - REVERSE REAR BOTTOM KIT



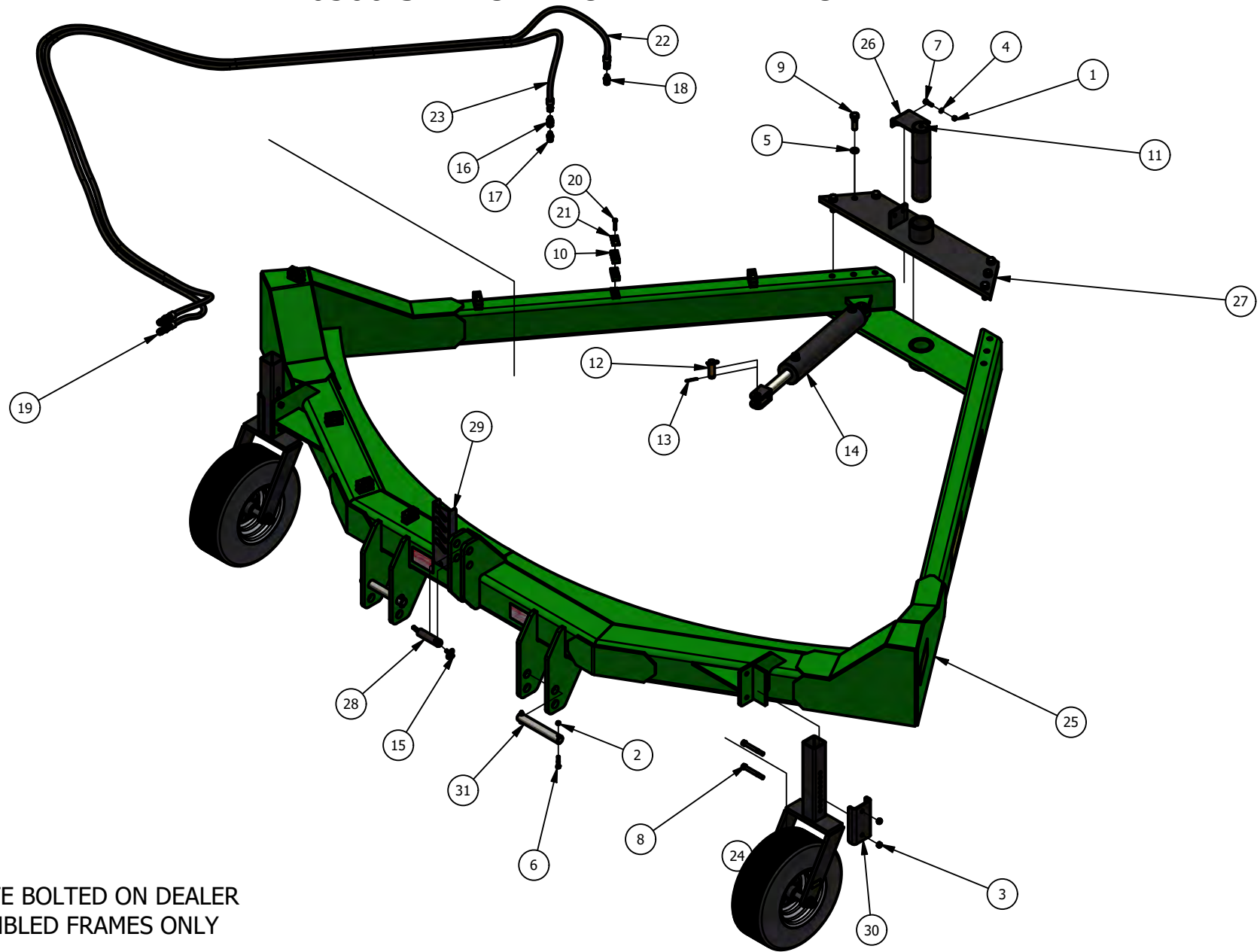
| ITEM | ITEM QTY | PART NUMBER | DESCRIPTION |
|------|----------|-------------|---|
| 1 | 4 | 0812-2800 | HEX NUT, 7/8 |
| 2 | 1 | 1412-1200 | LOCK NUT, 3/8 STOVER ZP |
| 3 | 1 | 1412-2800 | LOCK NUT, 7/8 STOVER ZP |
| 4 | 4 | 1602-2800 | LOCK WASHER, 7/8 ZP |
| 5 | 1 | 2816-1244 | HEX HEAD BOLT, 3/8 X 4 1/2 GR5 ZP |
| 6 | 4 | 2816-2890 | HEX HEAD BOLT, 7/8 X 9 GR5 ZP |
| 7 | 1 | 2818-2850 | HEX HEAD BOLT, 7/8 X 5 GR 8 |
| 8 | 1 | 83-206-36 | REAR MOLD BOARD W/ LONG SLIDES - BUNDLE |
| 9 | 1 | 85-017-36 | TOP PLATE WELDMENT, 6" TOOL BAR |
| 10 | 1 | 85-222-36 | INTERMEDIATE SHANK WELDMENT |

72-005-63
6300 SWITCH PLOW - FORWARD REAR BOTTOM KIT



| ITEM | ITEM QTY | PART NUMBER | DESCRIPTION |
|------|----------|-------------|---|
| 1 | 4 | 0812-2800 | HEX NUT, 7/8 |
| 2 | 1 | 1412-1200 | LOCK NUT, 3/8 STOVER ZP |
| 3 | 1 | 1412-2800 | LOCK NUT, 7/8 STOVER ZP |
| 4 | 4 | 1602-2800 | LOCK WASHER, 7/8 ZP |
| 5 | 1 | 2816-1244 | HEX HEAD BOLT, 3/8 X 4 1/2 GR5 ZP |
| 6 | 4 | 2816-2890 | HEX HEAD BOLT, 7/8 X 9 GR5 ZP |
| 7 | 1 | 2818-2850 | HEX HEAD BOLT, 7/8 X 5 GR 8 |
| 8 | 1 | 83-206-36 | REAR MOLD BOARD W/ LONG SLIDES - BUNDLE |
| 9 | 1 | 85-017-36 | TOP PLATE WELDMENT, 6" TOOL BAR |
| 10 | 1 | 85-222-36 | INTERMEDIATE SHANK WELDMENT |

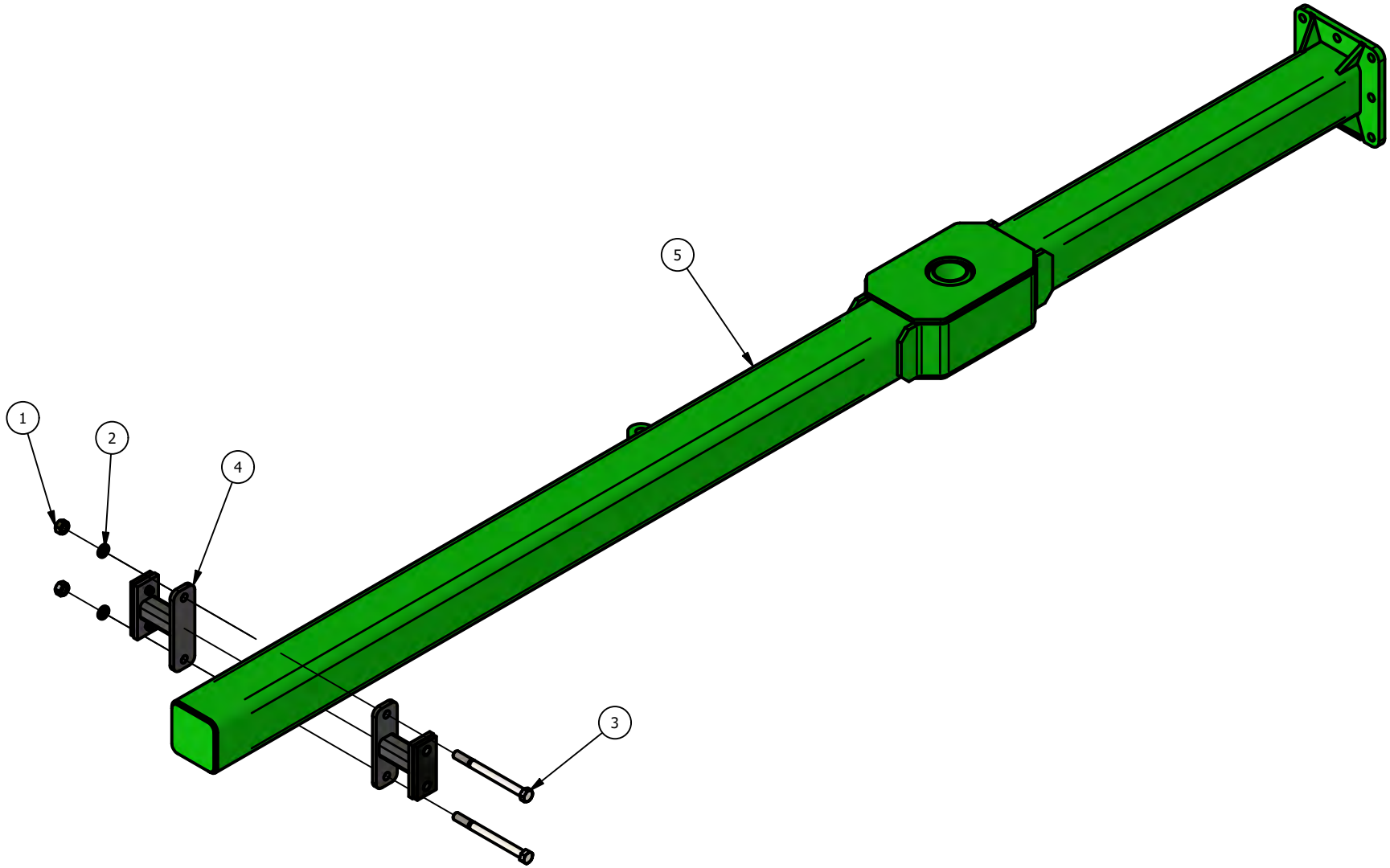
83-001-63 6300 SWITCH PLOW - FRAME BUNDLE



* - PLATE BOLTED ON DEALER
ASSEMBLED FRAMES ONLY

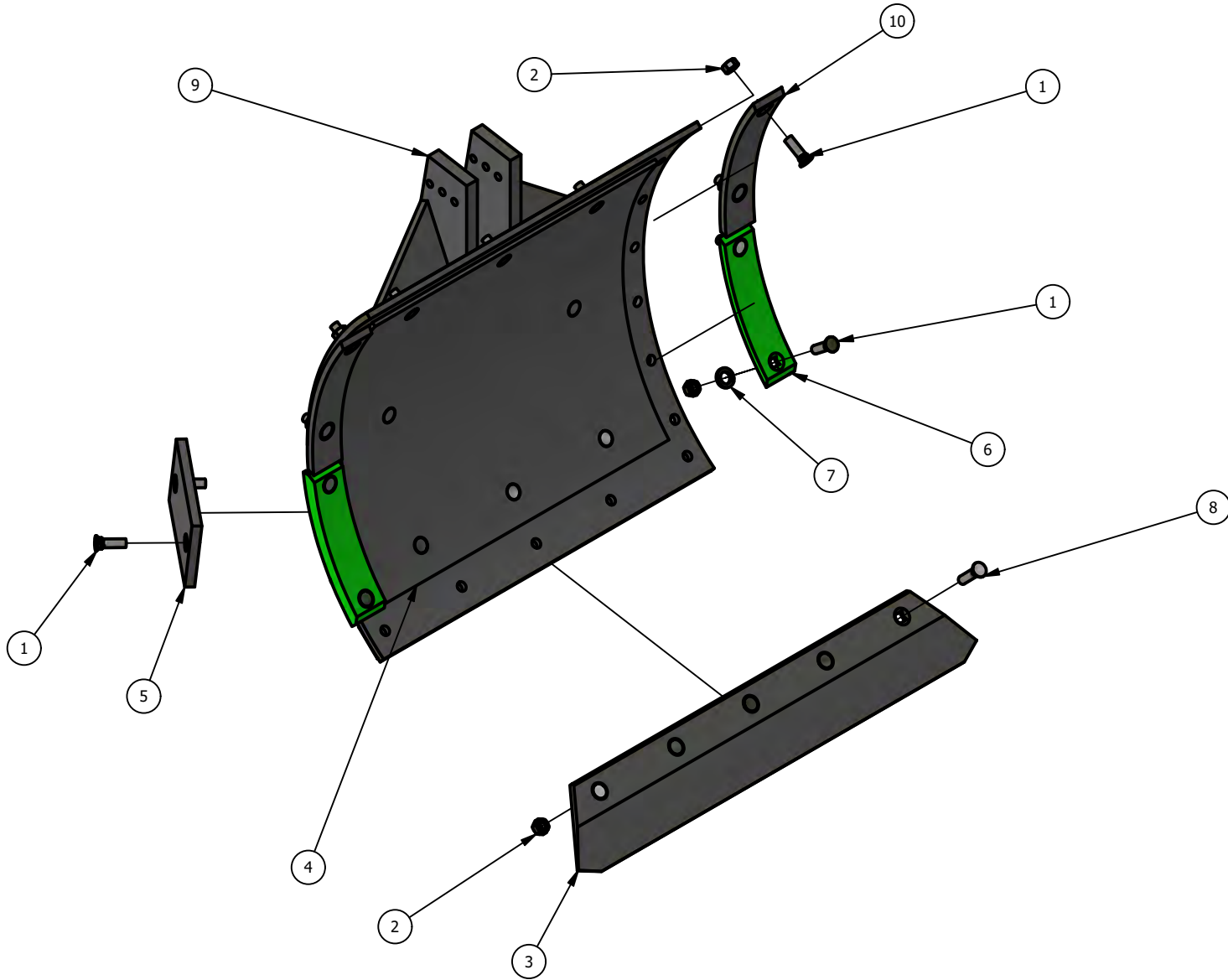
| ITEM | ITEM QTY | PART NUMBER | DESCRIPTION |
|------|----------|--------------|--|
| 1 | 2 | 0812-1200 | HEX NUT, 3/8 |
| 2 | 4 | 1412-1200 | LOCK NUT, 3/8 STOVER ZP |
| 3 | 4 | 1412-1600 | LOCK NUT, 1/2 STOVER ZP |
| 4 | 2 | 1602-1200 | LOCK WASHER, 3/8 ZP |
| 5 | 6 | 1602-2400 | LOCK WASHER, 3/4 ZP |
| 6 | 4 | 2814-1220 | HEX HEAD BOLT, 3/8 X 2 GR 2 ZP |
| 7 | 2 | 2816-1214 | HEX HEAD BOLT, 3/8 X 1 1/2 GR5 ZP |
| 8 | 4 | 2816-1644 | HEX HEAD BOLT, 1/2 X 4 1/2 GR5 ZP |
| 9 | 6 | 2816-2424 | HEX HEAD BOLT, 3/4 X 2 1/2 GR5 ZP |
| 10 | 14 | 79-002-36 | TWIN HOSE CLAMP, 3/4" |
| 11 | 1 | 79-005-38 | 1/8" NPT GREASE FITTING |
| 12 | 2 | 79-006-06 | CLEVIS PIN - 1" DIA. X 3-1/4" |
| 13 | 4 | 79-043-06 | 1/8" HAIR PIN |
| 14 | 1 | 79-047-36 | HYDRAULIC CYLINDER 3.5" BORE X 16" STROKE |
| 15 | 1 | 79-061-36 | 3/8" LYNCH PIN |
| 16 | 1 | 79-205-28 | 3/8 MALE - FEMALE INLINE SWIVEL |
| 17 | 1 | 79-213-28 | 1/2 MORB TO 3/8 ADAPTOR MJIC |
| 18 | 1 | 79-213-28-WO | 1/2 MORB TO 3/8 ADAPTOR MJIC WITH ORFICE |
| 19 | 2 | 79-482-36 | QUICK-CONNECT |
| 20 | 7 | 79-496-50 | TWIN CLAMP ASSEMBLY BOLT 3/8"X1-3/4" BRASS |
| 21 | 7 | 79-497-50 | TWIN CLAMP, LARGE TOP |
| 22 | 1 | 79-497-63 | 3/8 DIA. X 228" HYDRAULIC HOSE |
| 23 | 1 | 79-498-63 | 3/8 DIA. X 240" HYDRAULIC HOSE |
| 24 | 2 | 84-003-63 | FRONT GAUGE WHEEL ASSEMBLY |
| 25 | 1 | 85-001-63 | 6300 MAIN FRAME WELDMENT |
| 26 | 1 | 85-006-63 | 6300 PIVOT PIN WELDMENT |
| 27 | 1 | 85-011-63 | BOLT-ON UPPER PIVOT PLATE WELDMENT |
| 28 | 1 | 85-029-36 | UPPER HITCH PIN WELDMENT |
| 29 | 1 | 93-095-55 | HYDRAULIC HOSE END HOLDER |
| 30 | 2 | 93-1014-63 | FRONT GAUGE WHEEL CLAMP PLATE |
| 31 | 2 | 96-015-06 | LOWER HITCH PIN |

83-003-63
6300 TOOL BAR



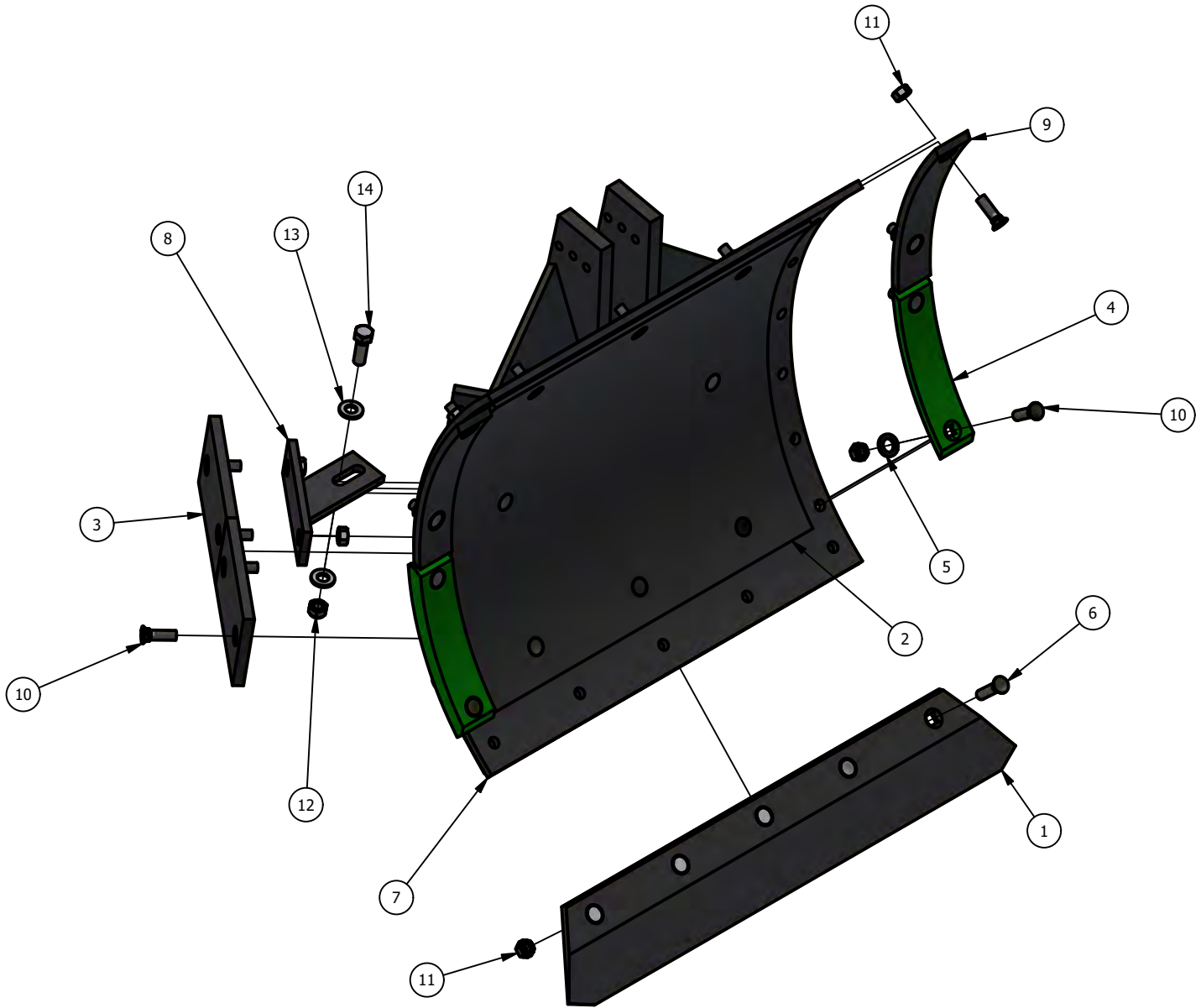
| ITEM | ITEM QTY | PART NUMBER | DESCRIPTION |
|------|----------|-------------|---------------------------------|
| 1 | 2 | 0812-2400 | HEX NUT, 3/4 |
| 2 | 2 | 1602-2400 | LOCK WASHER, 3/4 ZP |
| 3 | 2 | 2816-2490 | HEX HEAD BOLT, 3/4 X 9 GR5 ZP |
| 4 | 2 | 84-1006-63 | TOOL BAR STOP ASSEMBLY |
| 5 | 1 | 85-005-63 | 6300 TOOL BAR WELDMENT 6-BOTTOM |

83-003-36 INTERMEDIATE MOLD BOARD W/ SHORT SLIDES - BUNDLE



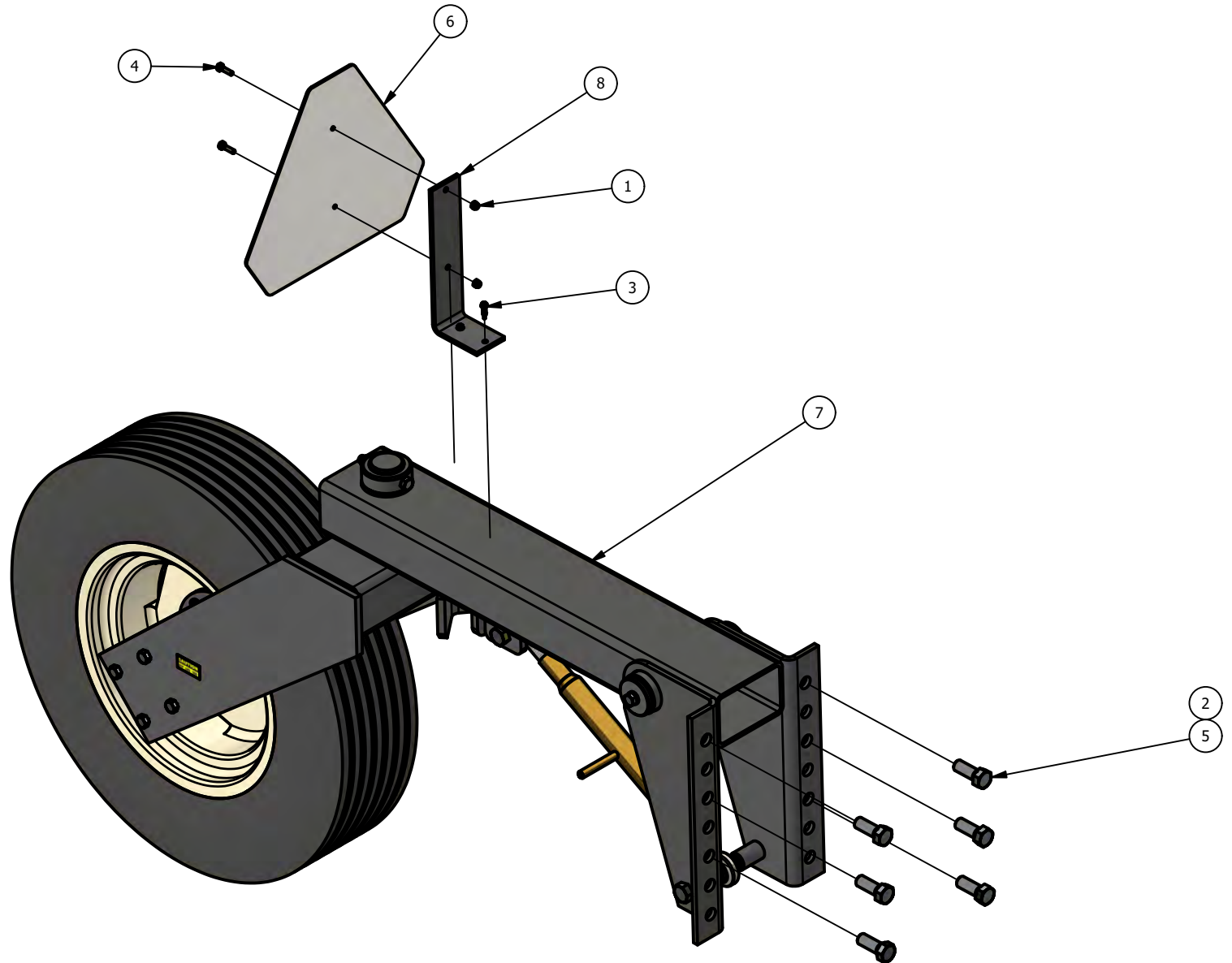
| ITEM | ITEM QTY | PART NUMBER | DESCRIPTION |
|------|----------|-------------|------------------------------------|
| 1 | 20 | 0315-1414 | PLOW BOLT, 7/16x1-1/2 Gr5 |
| 2 | 25 | 0812-1400 | HEX NUT, 7/16 |
| 3 | 1 | 79-006-36 | PLOW SHARE - HEAT TREATED |
| 4 | 1 | 79-201-36 | 1/4" UHMW PLASTIC WING |
| 5 | 2 | 79-204-36 | SMALL SLIDE - MULTI LIFE |
| 6 | 2 | 79-208-36 | LOWER WEAR SHIN |
| 7 | 4 | 79-218-36 | OICW - RUBBER WASHER |
| 8 | 5 | 79-483-36 | PLOW BOLT, 7/16 x 1 3/4, CLIP HEAD |
| 9 | 1 | 85-006-36 | MOLD BOARD WELDMENT |
| 10 | 2 | 98-207-36 | UPPER WEAR SHIN |

83-206-36
REAR MOLD BOARD W/ LONG SLIDES - BUNDLE



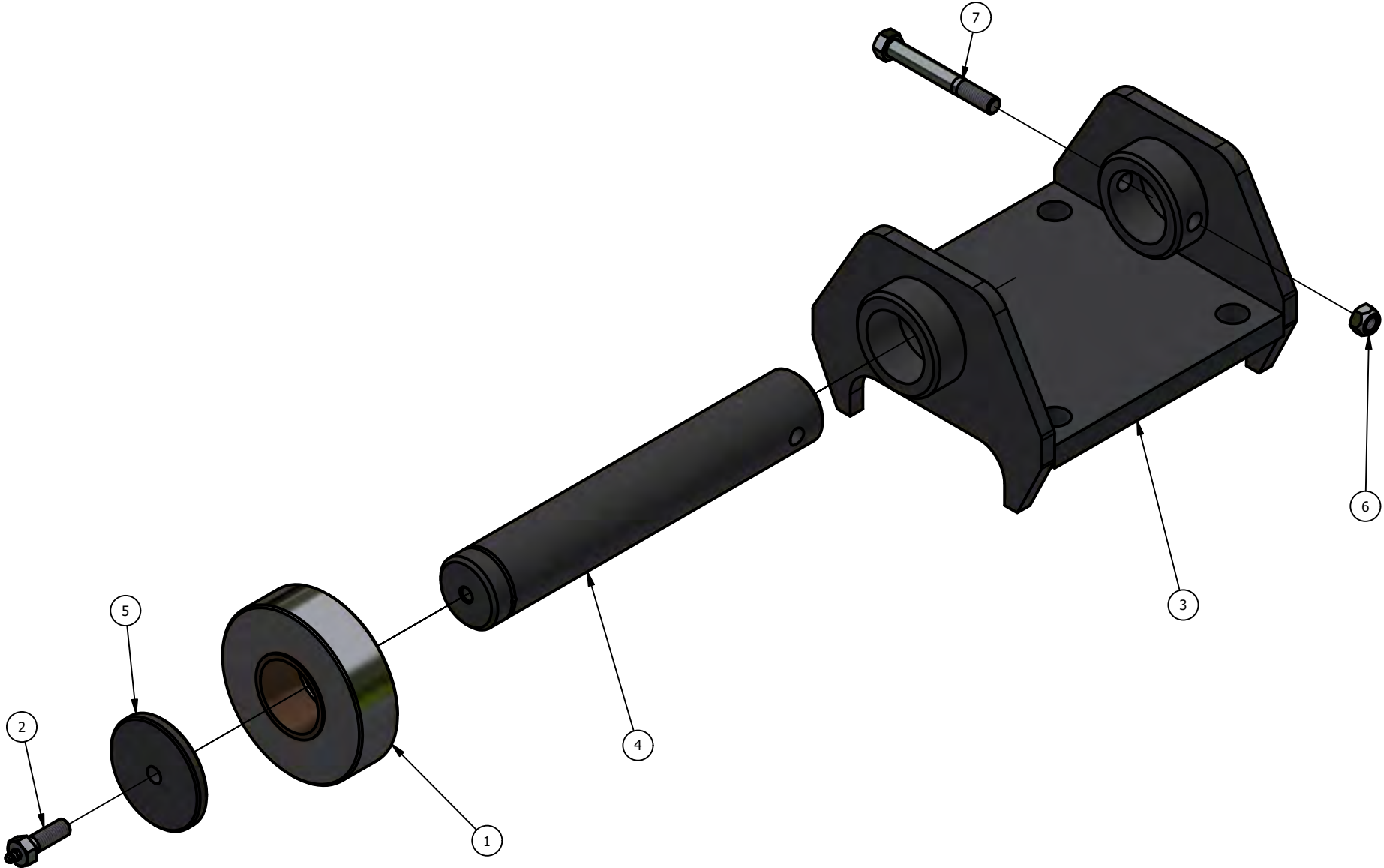
| ITEM | ITEM QTY | PART NUMBER | DESCRIPTION |
|------|----------|-------------|------------------------------------|
| 1 | 1 | 79-006-36 | PLOW SHARE - HEAT TREATED |
| 2 | 1 | 79-201-36 | 1/4" UHMW PLASTIC WING |
| 3 | 2 | 79-205-36 | LONG SLIDE - MULTI-LIFE |
| 4 | 2 | 79-208-36 | LOWER WEAR SHIN |
| 5 | 4 | 79-218-36 | OICW - RUBBER WASHER |
| 6 | 5 | 79-483-36 | PLOW BOLT, 7/16 x 1 3/4, CLIP HEAD |
| 7 | 1 | 85-006-36 | MOLD BOARD WELDMENT |
| 8 | 2 | 85-217-36 | LONG SLIDE BRACE WELDMENT |
| 9 | 2 | 98-207-36 | UPPER WEAR SHIN |
| 10 | 24 | 0315-1414 | PLOW BOLT, 7/16x1-1/2 Gr5 |
| 11 | 29 | 0812-1400 | HEX NUT, 7/16 |
| 12 | 1 | 1412-1600 | LOCK NUT, 1/2 STOVER ZP |
| 13 | 2 | 1702-1600 | FLAT WASHER, 1/2 ZP |
| 14 | 1 | 2816-1614 | HEX HEAD BOLT, 1/2 X 1 1/2 GR5 ZP |

83-004-63
6300, 9400 SWITCH PLOW - REAR GAUGE WHEEL BUNDLE



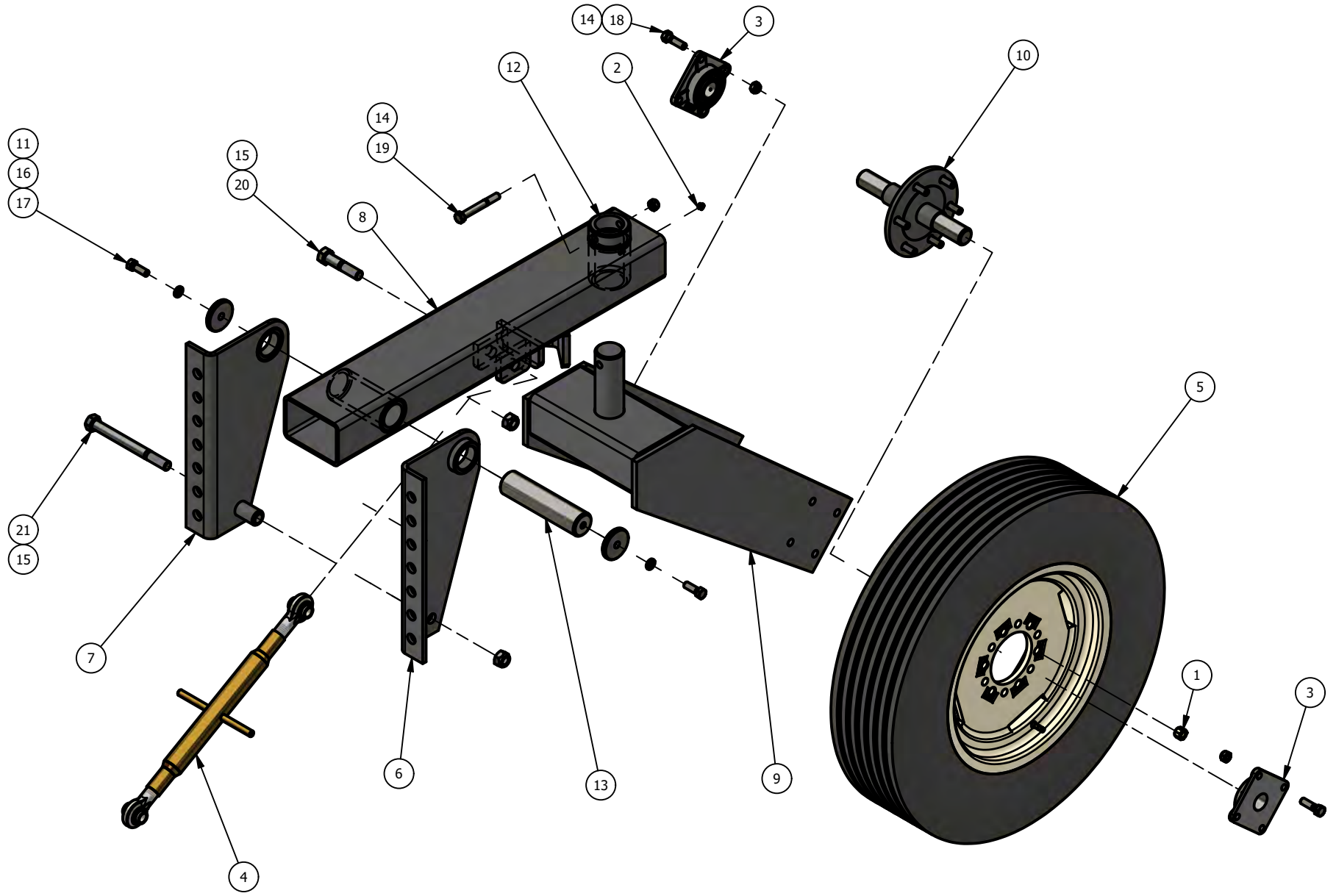
| ITEM | ITEM QTY | PART NUMBER | DESCRIPTION |
|------|----------|-------------|--------------------------------|
| 1 | 2 | 0912-0800 | LOCK NUT, 1/4 NYLOCK ZP |
| 2 | 6 | 1412-2400 | LOCK NUT, 3/4 STOVER ZP |
| 3 | 2 | 1913-1010 | SELF TAP SCREW, 12X1 |
| 4 | 2 | 2816-0810 | HEX HEAD BOLT, 1/4 X 1 GR5 ZP |
| 5 | 6 | 2816-2420 | HEX HEAD BOLT, 3/4 X 2 GR5 ZP |
| 6 | 1 | 79-001-01M | SLOW MOVING VEHICLE SIGN |
| 7 | 1 | 84-1000-63 | REAR GAUGE WHEEL MAIN ASSEMBLY |
| 8 | 1 | 93-1020-63 | SMV BRACKET |

84-214-36
TOOL BAR PIVOT ROLLER ASSEMBLY



| ITEM | ITEM QTY | PART NUMBER | DESCRIPTION |
|------|----------|-------------|--|
| 1 | 1 | 84-213-36 | ROLLER ASSEMBLY |
| 2 | 1 | 84-1015-63 | GREASE BOLT ASSEMBLY |
| 3 | 1 | 85-221-36 | PIVOT BAR ROLLER MOUNTING PLATE WELDMENT |
| 4 | 1 | 96-204-36 | ROLLER SHAFT |
| 5 | 1 | 96-205-36 | PIVOT ROLLER PIN CAP |
| 6 | 1 | 1412-1600 | LOCK NUT, 1/2 STOVER ZP |
| 7 | 1 | 2816-1640 | HEX HEAD BOLT, 1/2 X 4 GR5 ZP |

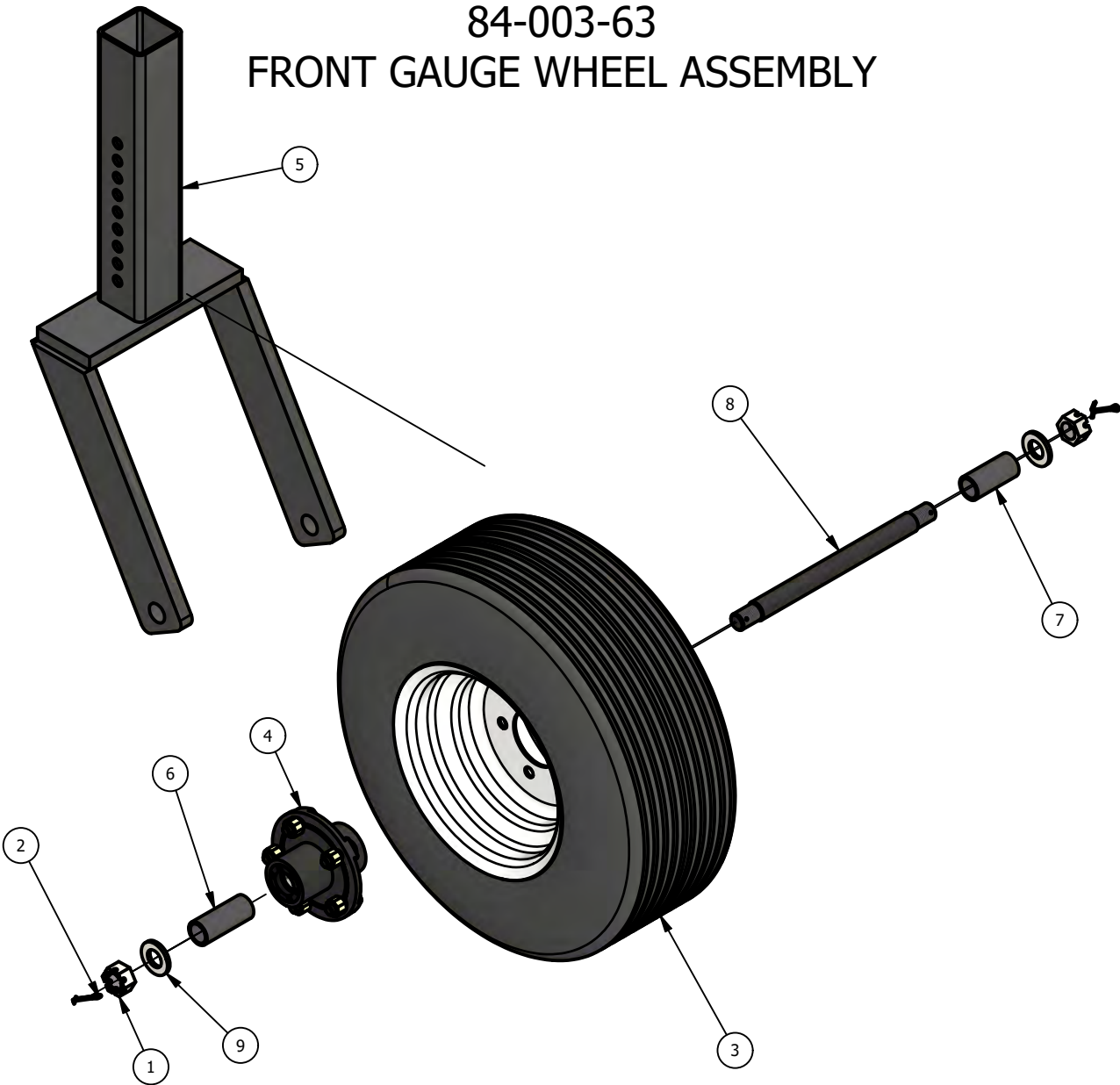
84-1000-63 REAR GAUGE WHEEL MAIN ASSEMBLY



63-PM-001-01
29 of 43

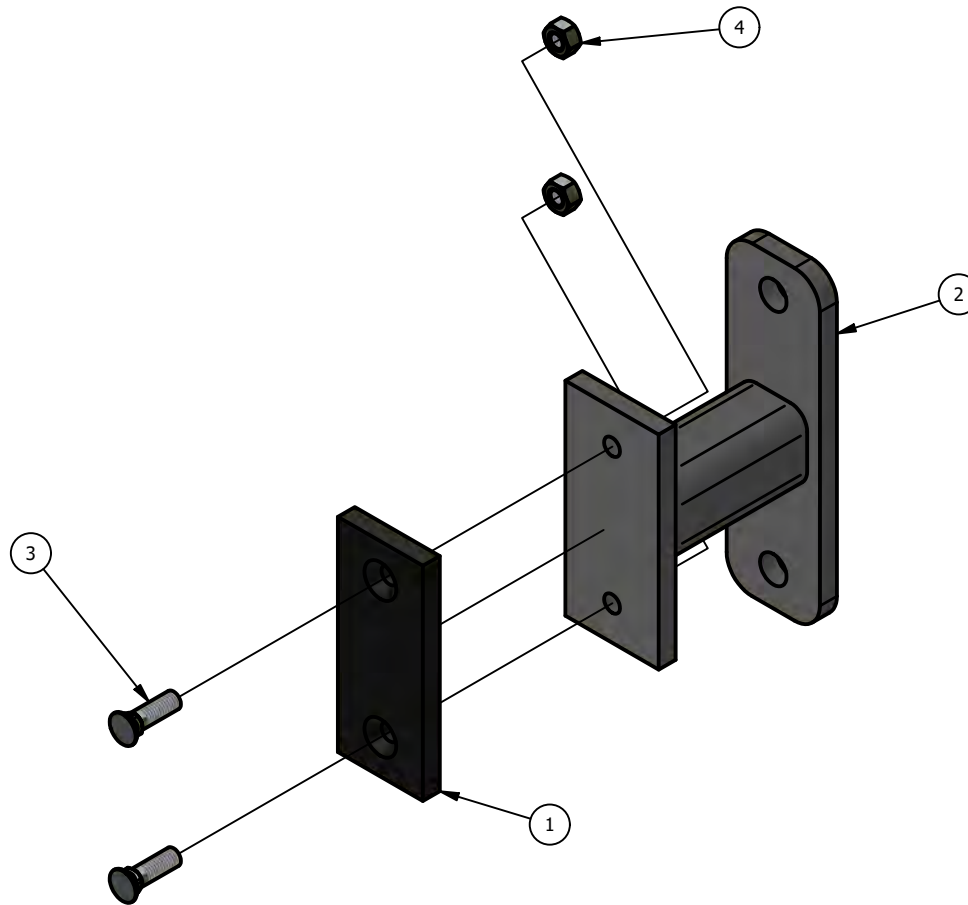
| ITEM | ITEM QTY | PART NUMBER | DESCRIPTION |
|------|----------|-------------|--|
| 1 | 6 | 77-024-88 | 1/2" 90° NUT, SAE GRADE 8 |
| 2 | 1 | 79-005-38 | 1/8" NPT GREASE FITTING |
| 3 | 2 | 79-277-06 | 4 HOLE FLANGE BEARING, 1-7/16" BORE - PICTORIAL |
| 4 | 1 | 79-297-82 | ADJUSTABLE TOP LINK |
| 5 | 1 | 84-1001-63 | REAR GAUGE WHEEL - TIRE, WHEEL & VALVE STEM ASSEMBLY |
| 6 | 1 | 85-1001-63 | REAR GAUGE WHEEL MOUNT - LH WELDMENT |
| 7 | 1 | 85-1002-63 | REAR GAUGE WHEEL MOUNT - RH WELDMENT |
| 8 | 1 | 85-1003-63 | REAR GAUGE WHEEL ARM WELDMENT |
| 9 | 1 | 85-1004-63 | REAR GAUGE WHEEL YOKE WELDMENT |
| 10 | 1 | 85-1005-63 | GAUGE WHEEL HUB & AXLE WELDMENT |
| 11 | 2 | 93-1006-63 | GAUGE WHEEL ARM PIN CAP |
| 12 | 1 | 94-1002-63 | GAUGE WHEEL & PIVOT ROLLER RETAINER BUSHING |
| 13 | 1 | 96-1000-63 | GAUGE WHEEL ARM PIN |
| 14 | 9 | 1412-1600 | LOCK NUT, 1/2 STOVER ZP |
| 15 | 2 | 1412-2400 | LOCK NUT, 3/4 STOVER ZP |
| 16 | 2 | 1602-1600 | LOCK WASHER, 1/2 ZP |
| 17 | 2 | 2816-1614 | HEX HEAD BOLT, 1/2 X 1 1/2 GR5 ZP |
| 18 | 8 | 2816-1616 | HEX HEAD BOLT, 1/2 X 1 3/4 GR5 ZP |
| 19 | 1 | 2816-1640 | HEX HEAD BOLT, 1/2 X 4 GR5 ZP |
| 20 | 1 | 2816-2434 | HEX HEAD BOLT, 3/4 X 3 1/2 GR5 ZP |
| 21 | 1 | 2816-2480 | HEX HEAD BOLT, 3/4 X 8 GR5 ZP |

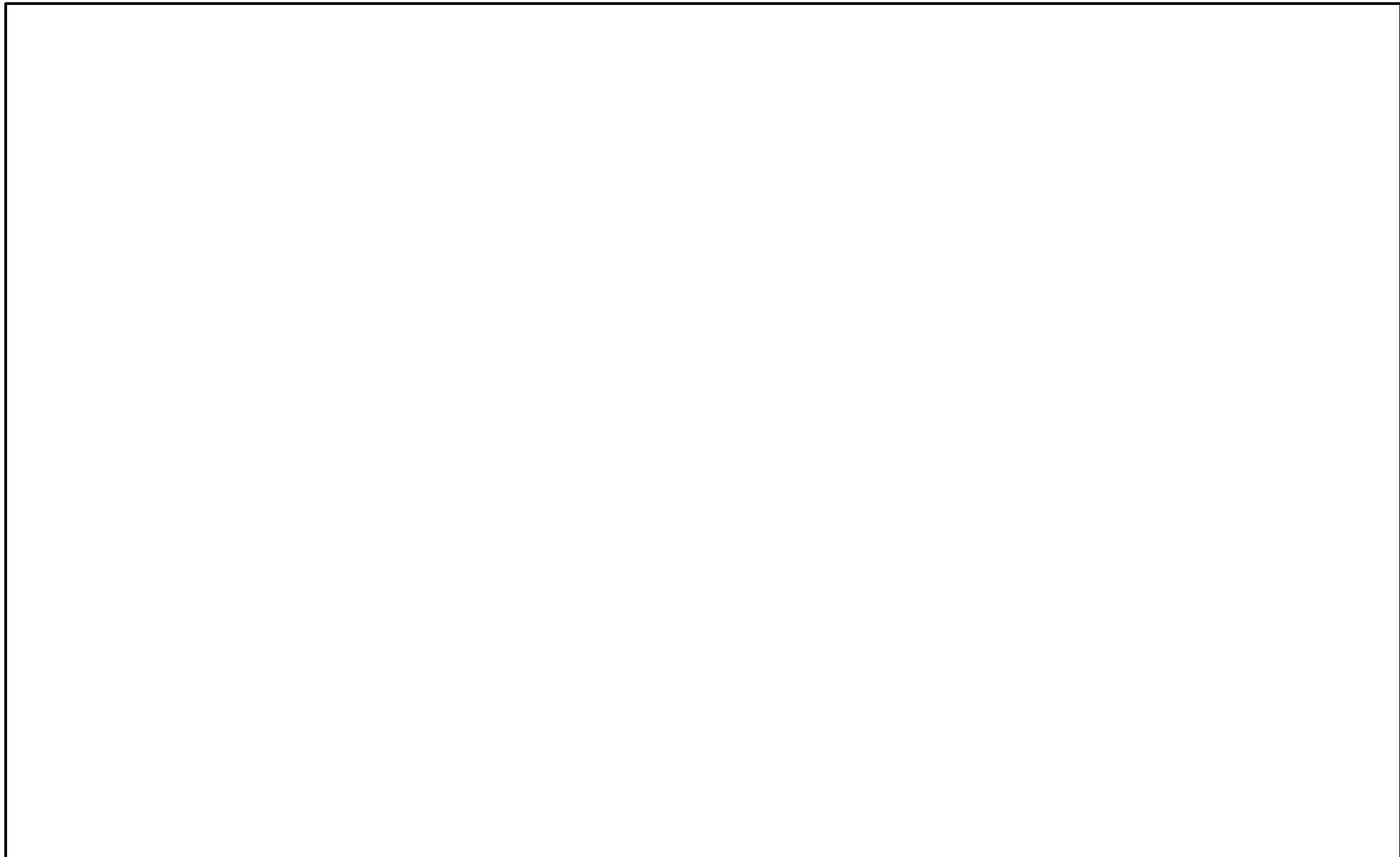
84-003-63 FRONT GAUGE WHEEL ASSEMBLY



| ITEM | ITEM QTY | PART NUMBER | DESCRIPTION |
|------|----------|-------------|-----------------------------------|
| 1 | 2 | 77-004-02 | SPINDLE NUT - PICTORIAL |
| 2 | 2 | 77-011-02 | COTTER PIN - PICTORIAL |
| 3 | 1 | 84-001-36 | WHEEL, TIRE & VALVE STEM ASSEMBLY |
| 4 | 1 | 84-1014-63 | HUB ASSEMBLY, 5 BOLT GW |
| 5 | 1 | 85-009-63 | FRONT GAUGE WHEEL YOKE WELDMENT |
| 6 | 1 | 94-1011-63 | OUTER SPINDLE SHAFT BUSHING |
| 7 | 1 | 94-1012-63 | INNER SPINDLE SHAFT BUSHING |
| 8 | 1 | 96-006-36 | SPINDLE SHAFT - FRONT GAUGE WHEEL |
| 9 | 2 | 1702-2800 | FLAT WASHER, 7/8 ZP |

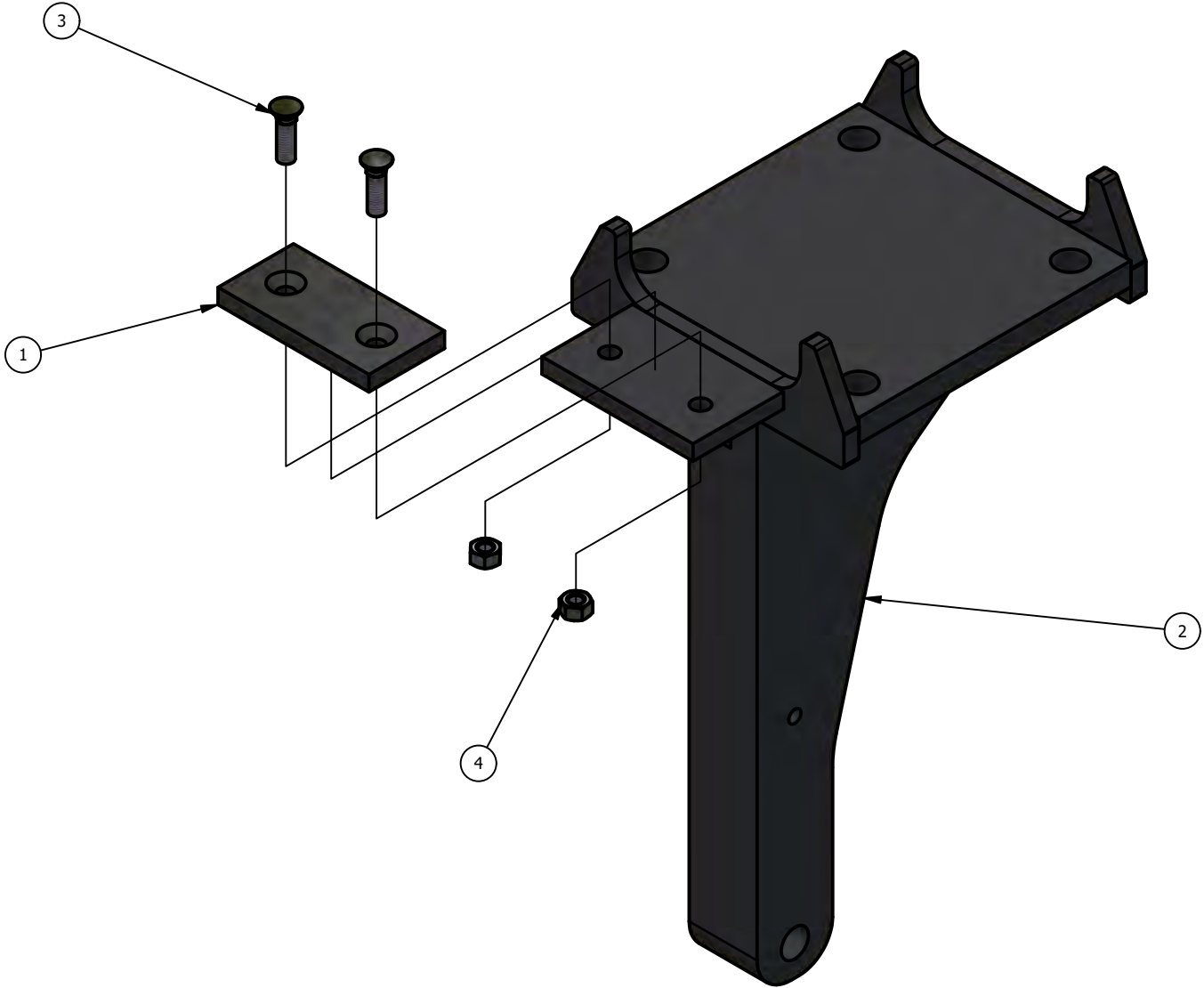
84-1006-63 TOOL BAR STOP ASSEMBLY

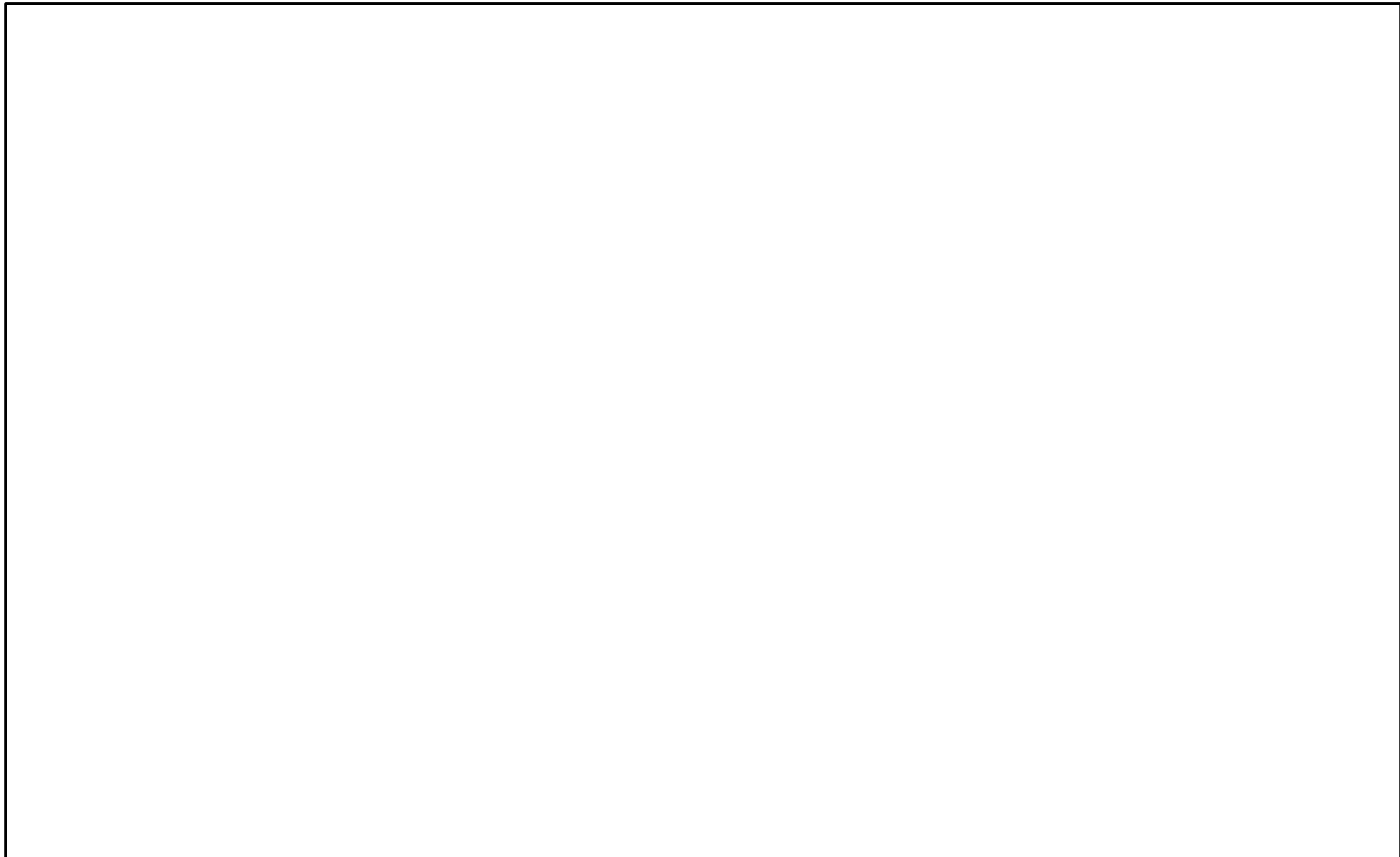




| ITEM | ITEM QTY | PART NUMBER | DESCRIPTION |
|------|----------|-------------|---------------------------|
| 1 | 1 | 79-1001-63 | 1/2" UHMW - BUMPER PAD |
| 2 | 1 | 85-012-63 | TOOL BAR STOP WELDMENT |
| 3 | 2 | 0315-1414 | PLOW BOLT, 7/16x1-1/2 Gr5 |
| 4 | 2 | 0812-1400 | HEX NUT, 7/16 |

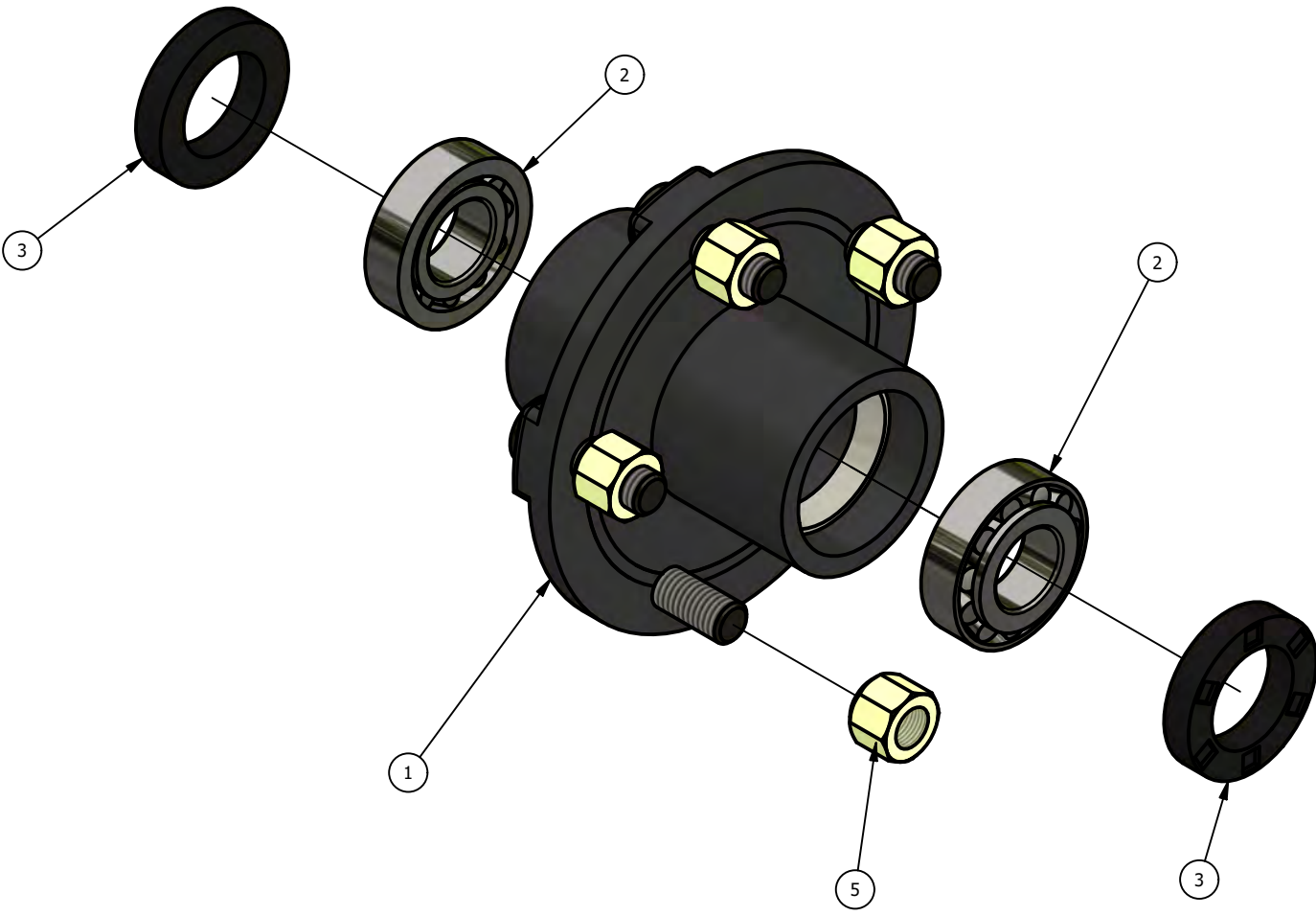
84-1007-63 FRONT SHANK ASSEMBLY





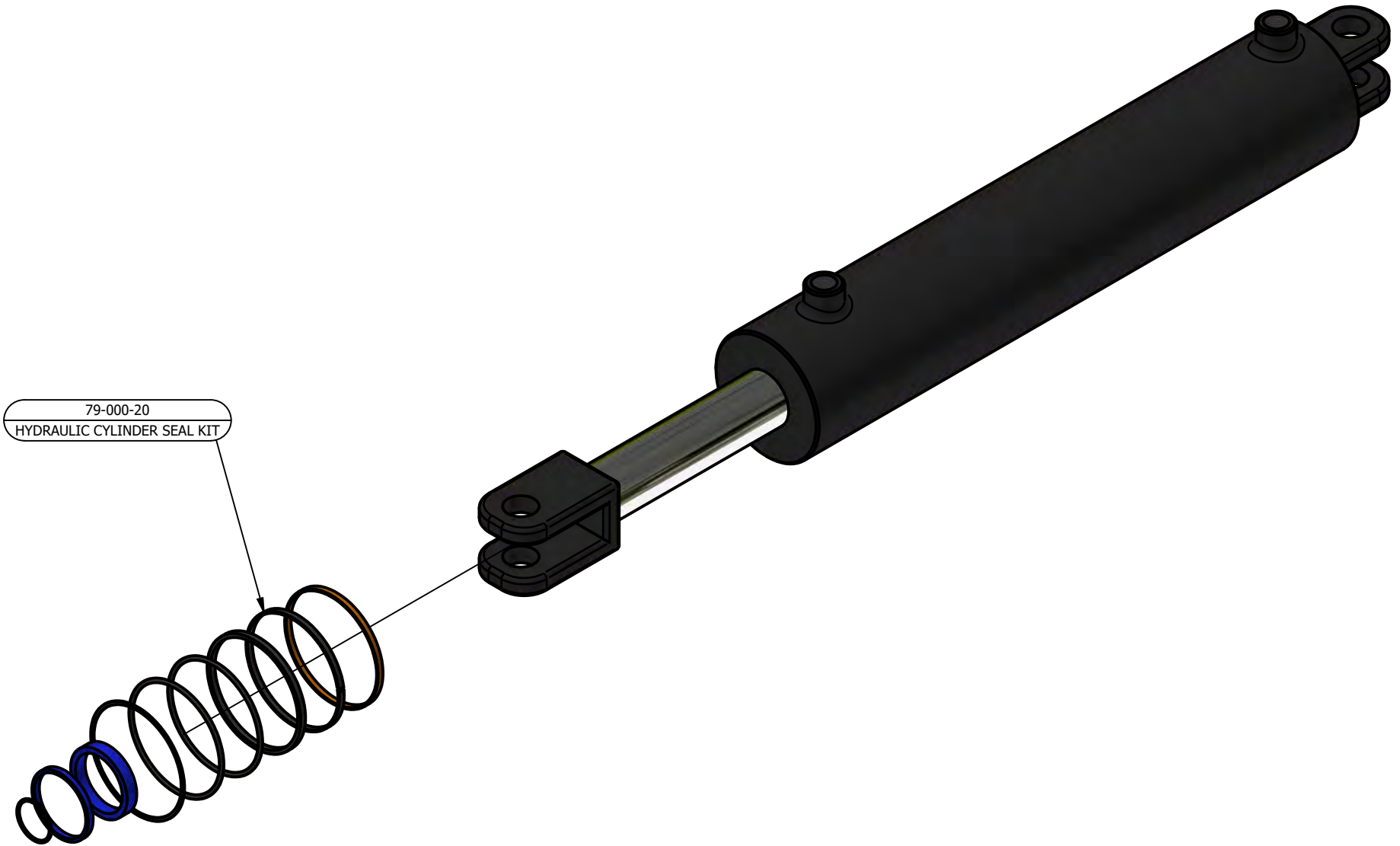
| ITEM | ITEM QTY | PART NUMBER | DESCRIPTION |
|------|----------|-------------|---|
| 1 | 1 | 79-1002-63 | 1/2" UHMW - SLIDE WEAR PAD FOR FRONT SHANK WELDMENT |
| 2 | 1 | 85-224-36 | FRONT SHANK WELDMENT |
| 3 | 2 | 0315-1414 | PLOW BOLT, 7/16x1-1/2 Gr5 |
| 4 | 2 | 0812-1400 | HEX NUT, 7/16 |

84-1014-63
HUB ASSEMBLY, 5 BOLT GW

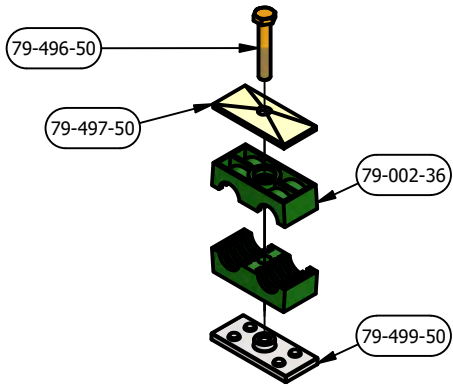


| ITEM | ITEM QTY | PART NUMBER | DESCRIPTION |
|------|----------|-------------|------------------------------------|
| 1 | 1 | 77-001-36 | 5 BOLT HUB W/RACES - PICTORIAL |
| 2 | 2 | 77-002-36 | TAPERED ROLLER BEARING - PICTORIAL |
| 3 | 2 | 77-003-36 | HUB GREASE SEAL - PICTORIAL |
| 4 | 5 | 77-009-36 | PRESS FIT LUG STUD, 1/2 X 1-1/4 |
| 5 | 5 | 77-024-88 | 1/2" 90° NUT, SAE GRADE 8 |

79-047-36
HYDRAULIC CYLINDER 3.5" BORE X 16" STROKE



79-000-20
HYDRAULIC CYLINDER SEAL KIT



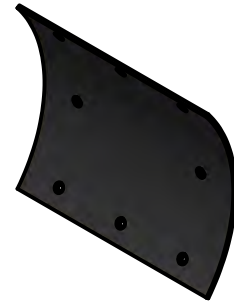
79-001-36
TWIN HOSE CLAMP ASSEMBLY 3/4"



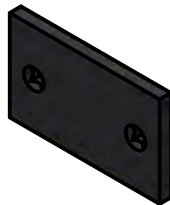
79-006-36
PLOW SHARE - HEAT TREATED



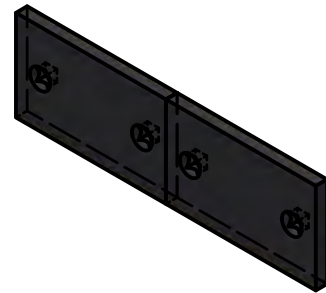
79-061-36
3/8" LYNCH PIN



79-201-36
1/4" UHMW PLASTIC WING



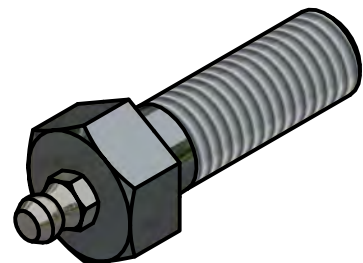
79-204-36
SMALL SLIDE - MULTI LIFE



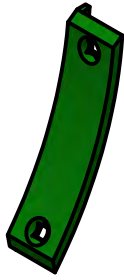
79-205-36
LONG SLIDE - MULTI-LIFE



84-1010-63
6300 PIVOT PIN ASSEMBLY



84-1015-63
GREASE BOLT ASSEMBLY



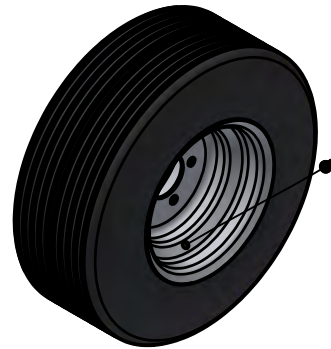
79-208-36
LOWER WEAR SHIN



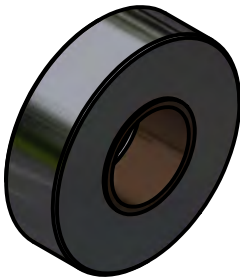
98-207-36
UPPER WEAR SHIN



79-482-36
QUICK-CONNECT



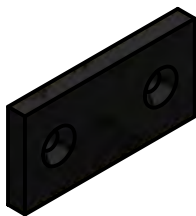
84-001-36
WHEEL, TIRE & VALVE STEM ASSEMBLY



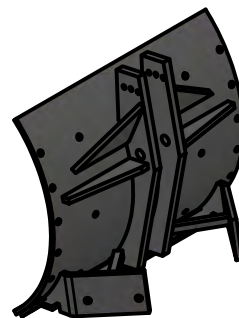
84-213-36
ROLLER ASSEMBLY



79-1001-63
1/2" UHMW - BUMPER PAD



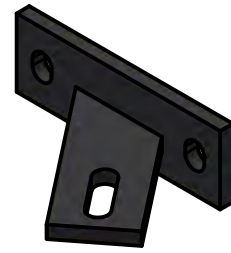
79-1002-63
SLIDE WEAR PAD FOR FRONT SHANK



85-006-36
MOLD BOARD WELDMENT



85-029-36
UPPER HITCH PIN WELDMENT



85-217-36
LONG SLIDE BRACE WELDMENT



85-222-36
INTERMEDIATE SHANK WELDMENT



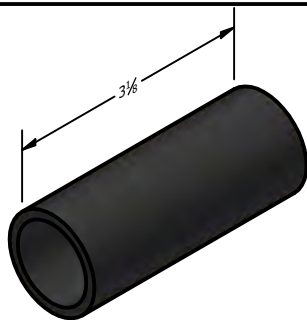
85-224-36
FRONT SHANK WELDMENT



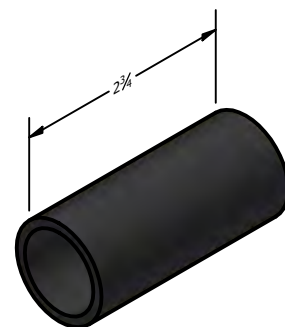
93-1014-63
FRONT GAUGE WHEEL CLAMP PLATE



93-1006-63
GAUGE WHEEL ARM PIN CAP



94-1011-63
OUTER SPINDLE SHAFT BUSHING



94-1012-63
INNER SPINDLE SHAFT BUSHING



96-1000-63
GAUGE WHEEL ARM PIN



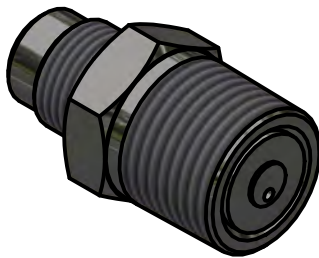
96-015-36
LOWER HITCH PIN



96-006-36
SPINDLE SHAFT - FRONT GAUGE WHEEL



79-205-28
3/8 MALE - FEMALE INLINE SWIVEL



79-213-28-WO
1/2 MORB TO 3/8 ADAPTOR MJIC WITH ORFICE



79-213-28
1/2 MORB TO 3/8 ADAPTOR MJIC



79-297-82
ADJUSTABLE TOP LINK

HYDRAULIC HOSE ASSEMBLIES

RETRACT (228") - 79-497-63

EXTEND (240") - 79-498-63

