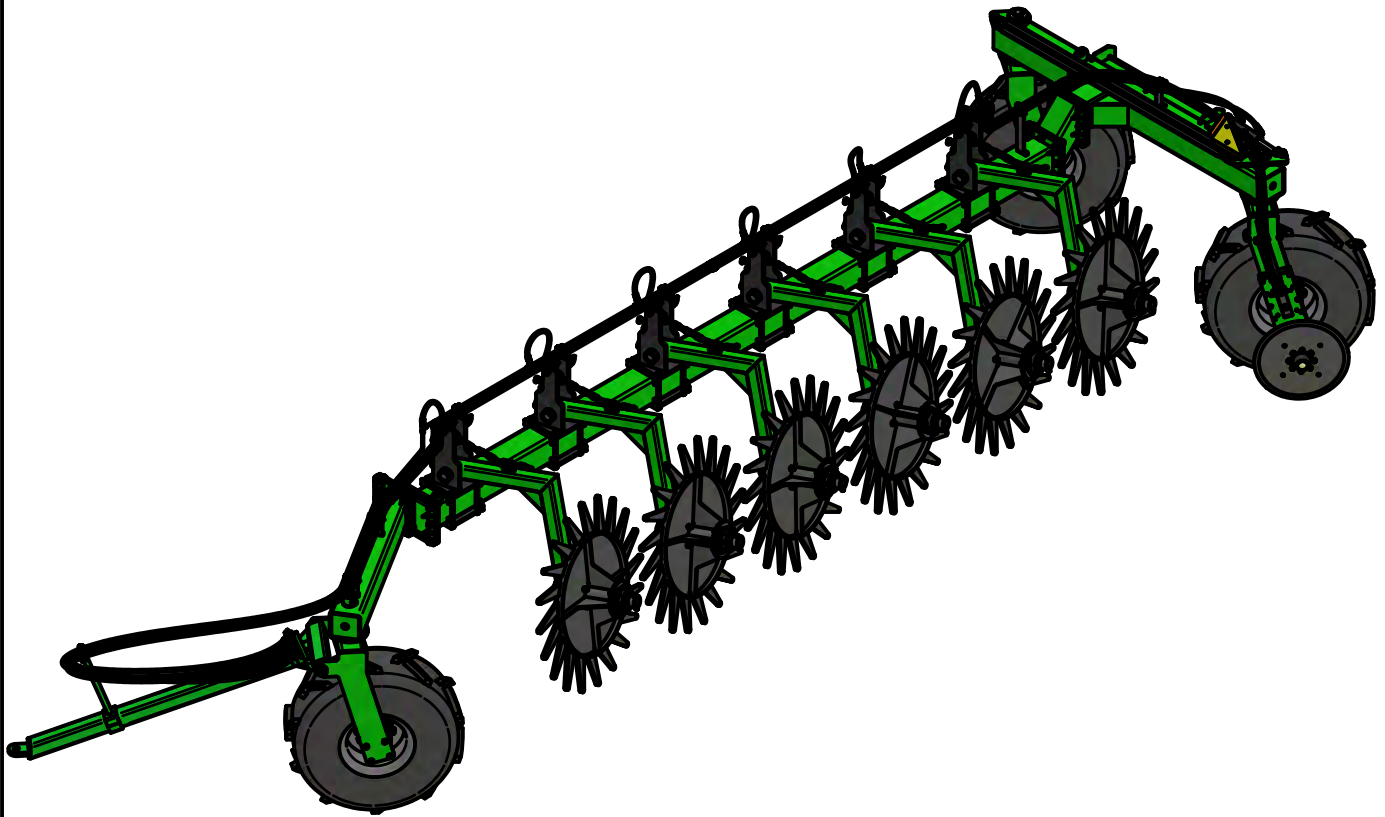




# SERIES 50 ROCK N ROOT RAKE



216 INDUSTRIAL BLVD., RAMP 2  
BAINBRIDGE, GA 39817  
(229) 246-0350  
[www.harrellag.com](http://www.harrellag.com)

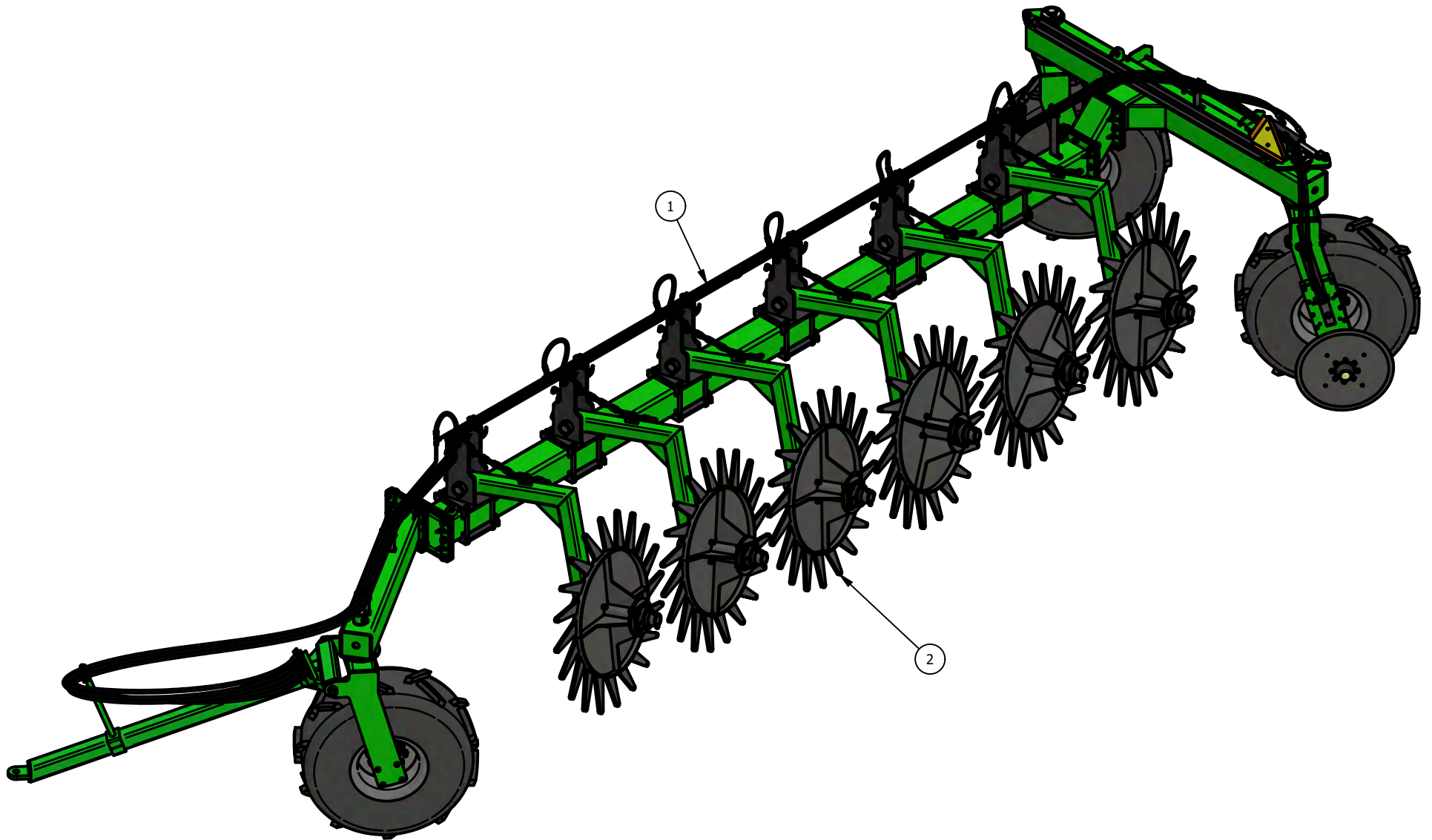
*50-PM-002-01*



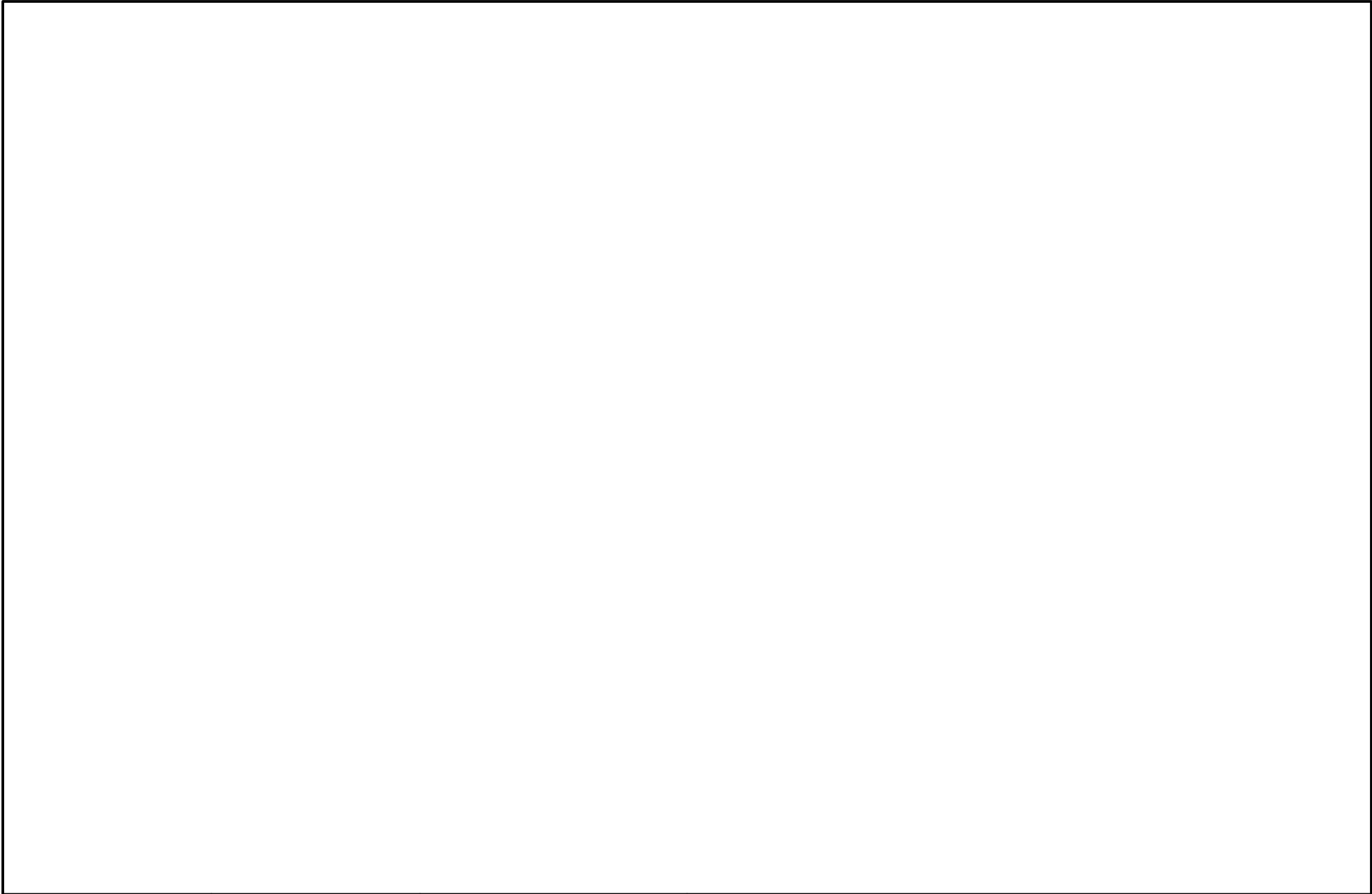
# TABLE OF CONTENTS

70-002-50.....	ROCK N ROOT RAKE.....	4
84-533-50.....	MAIN ASSEMBLY.....	6
84-529-50.....	STAR WHEEL MOUNTING ASSEMBLY.....	8
84-528-50.....	ROLLING FRAME ASSEMBLY.....	10
84-527-50.....	FRAME-TOWER-ARM ASSEMBLY.....	12
84-526-50 .....	FRAME ASSEMBLY 56" TIRE.....	14
84-522-50.....	REAR FRAME ASSEMBLY.....	16
84-524-50.....	FRONT FRAME ASSEMBLY 56" TIRE.....	18
84-513-50.....	RAKE ARM-TOWER ASSEMBLY.....	20
84-523-50.....	REAR YOKE ASSEMBLY 56" TIRE.....	22
84-525-50.....	FRONT YOKE ASSEMBLY 56" TIRE .....	24
84-507-50.....	STAR WHEEL ASSEMBLY.....	26
84-531-50.....	WHEEL ASSEMBLY.....	28
84-503-50.....	WHEEL HUB .....	30
83-002-50.....	SERIES 50 HYDRAULIC KIT 56" TIRE.....	32
83-545-50.....	COULTER KIT, 56" TIRE.....	34
77-804-06.....	COULTER HUB, 8 ON 8" .....	36
77-805-06.....	COULTER SPINDLE.....	38
79-000-01.....	HYDRAULIC CYLINDER SEAL KIT.....	40
MISC PARTS.....		41

70-002-50  
ROCK & ROOT RAKE - MAIN ASSEMBLY- 56" TIRE

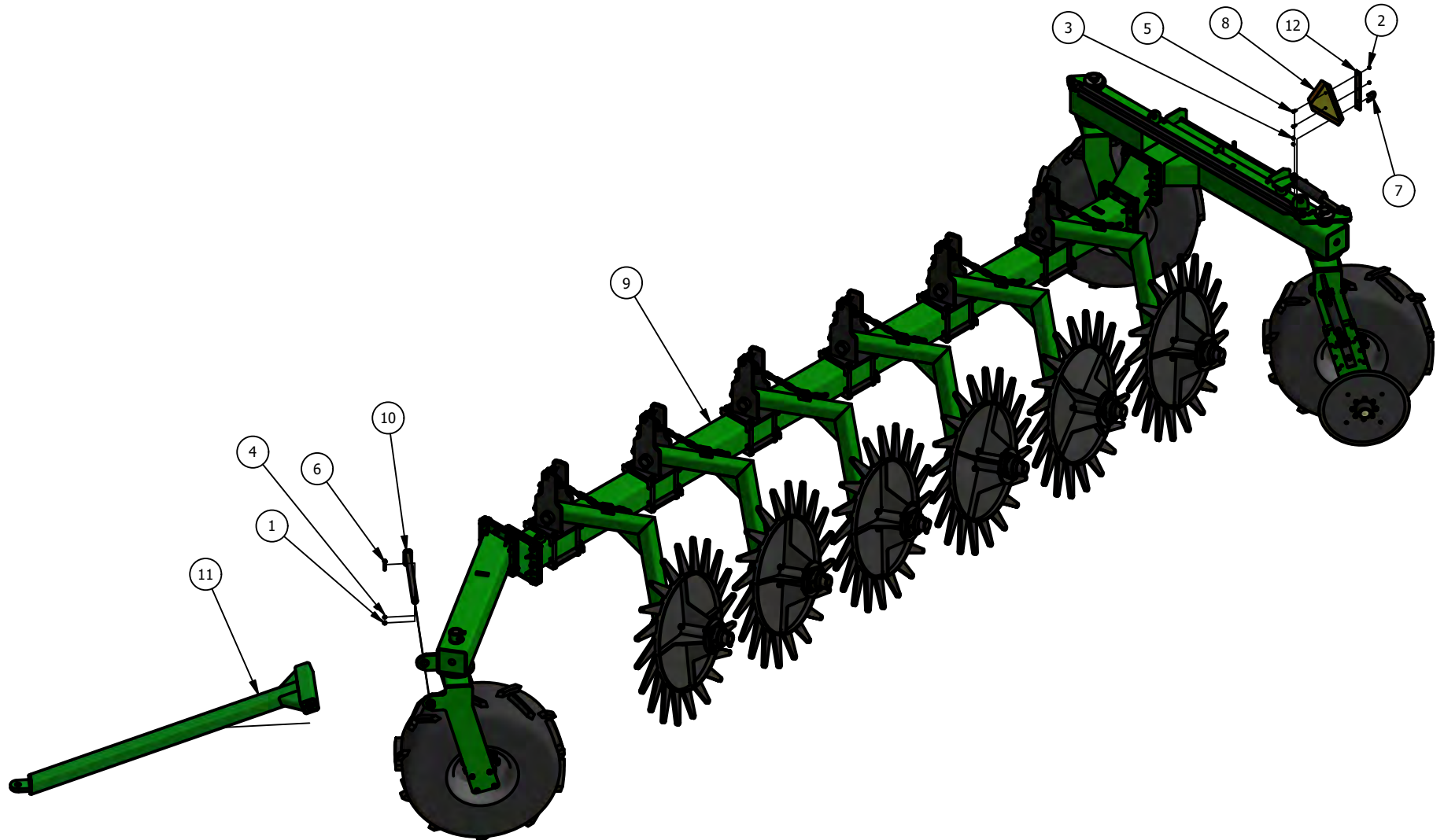


50-PM-002-01  
4 of 45



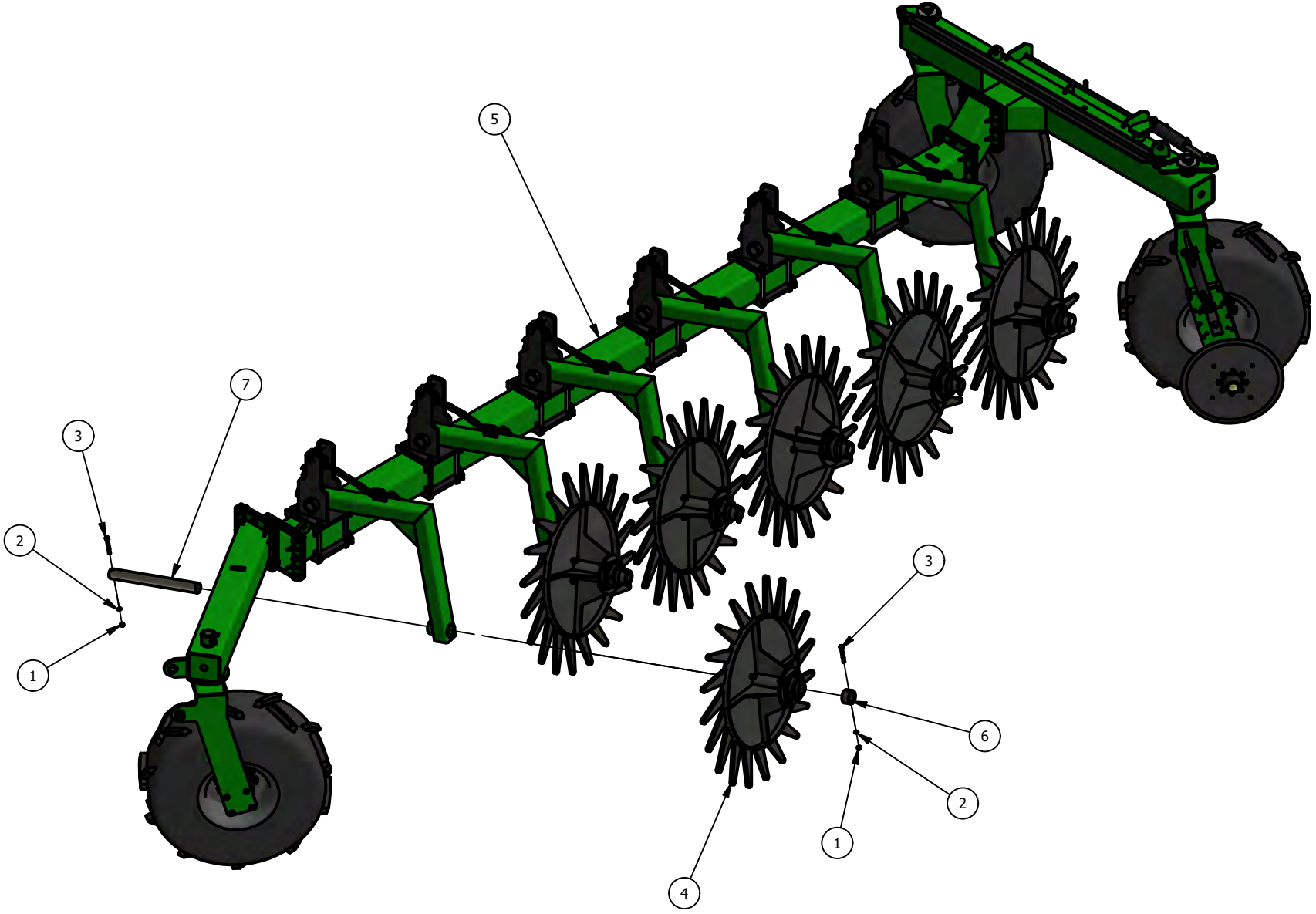
ITEM	ITEM QTY	PART NUMBER	DESCRIPTION
1	1	83-002-50	SERIES 50 HYDRAULIC KIT 56" TIRE
2	1	84-533-50	ROCK & ROOT RAKE - MAIN ASSEMBLY- 56" TIRE

84-533-50  
ROCK & ROOT RAKE - MAIN ASSEMBLY- 56" TIRE

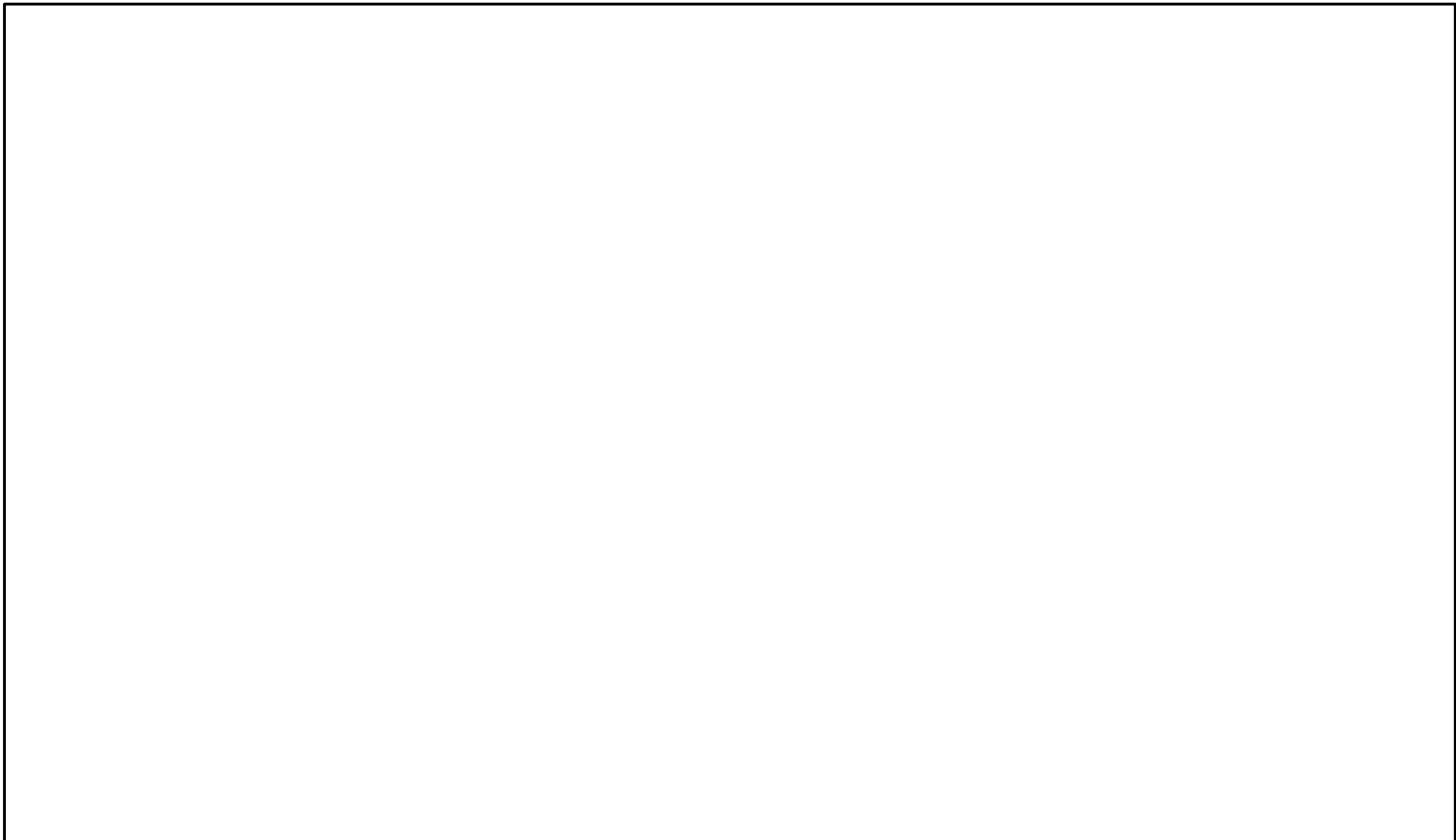


ITEM	ITEM QTY	PART NUMBER	DESCRIPTION
1	1	0812-1600	HEX NUT, 1/2
2	2	0912-0800	LOCK NUT, 1/4 NYLOCK ZP
3	2	1412-1200	LOCK NUT, 3/8 STOVER ZP
4	1	1602-1600	LOCK WASHER, 1/2 ZP
5	2	2816-0810	HEX HEAD BOLT, 1/4 X 1 GR5 ZP
6	1	2816-1632	HEX HEAD BOLT, 1/2 X 3 1/4 GR5 ZP
7	1	79-0003	2" x 3/8 U-BOLT
8	1	79-001-01M	SLOW MOVING VEHICLE SIGN
9	1	84-529-50	STAR WHEEL MOUNTING ASSEMBLY
10	1	85-509-50	HITCH PIN WELDMENT
11	1	85-613-50	TONGUE
12	1	98-500-50	SMV ARM

# 84-529-50 STAR WHEEL MOUNTING ASSEMBLY

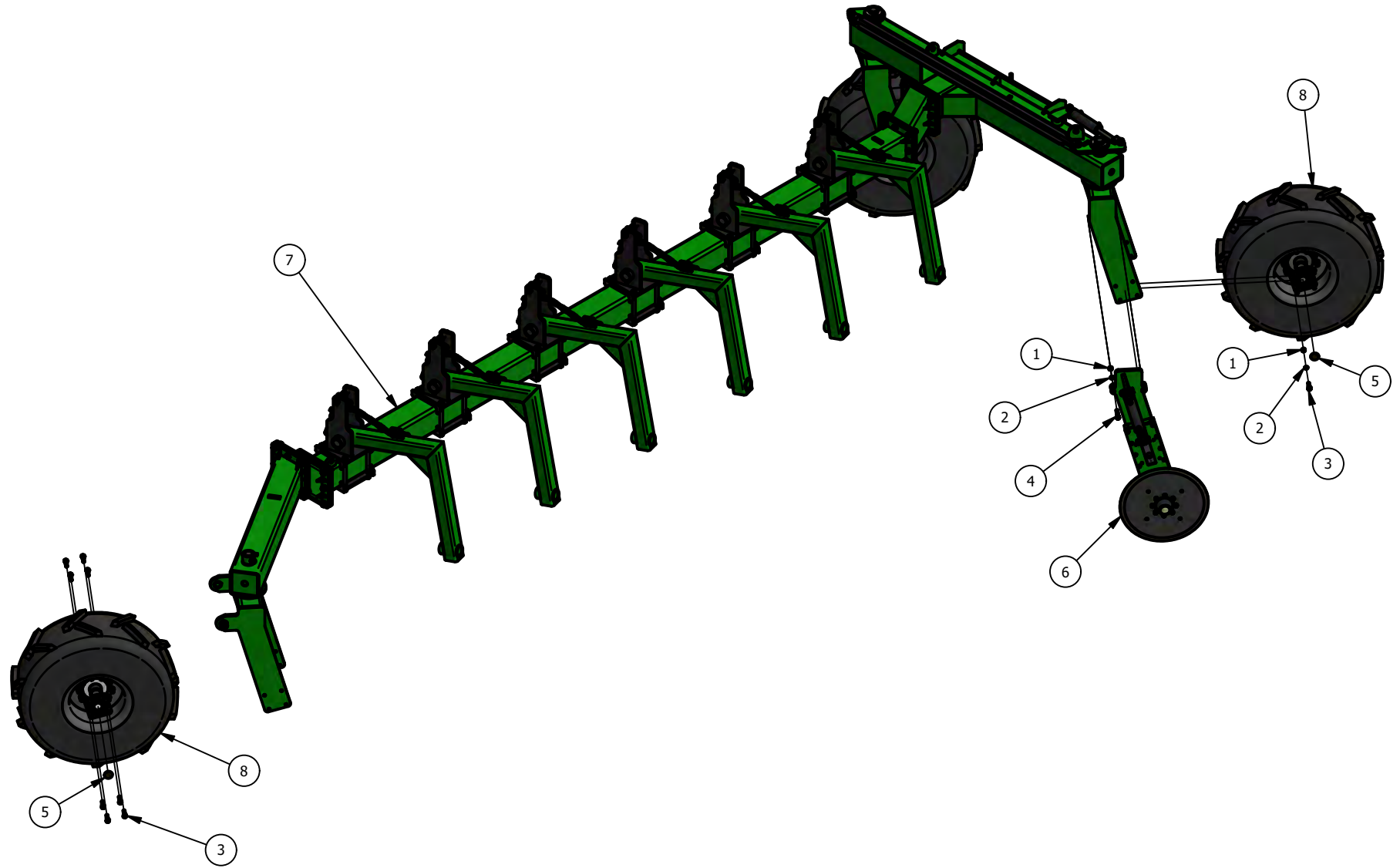






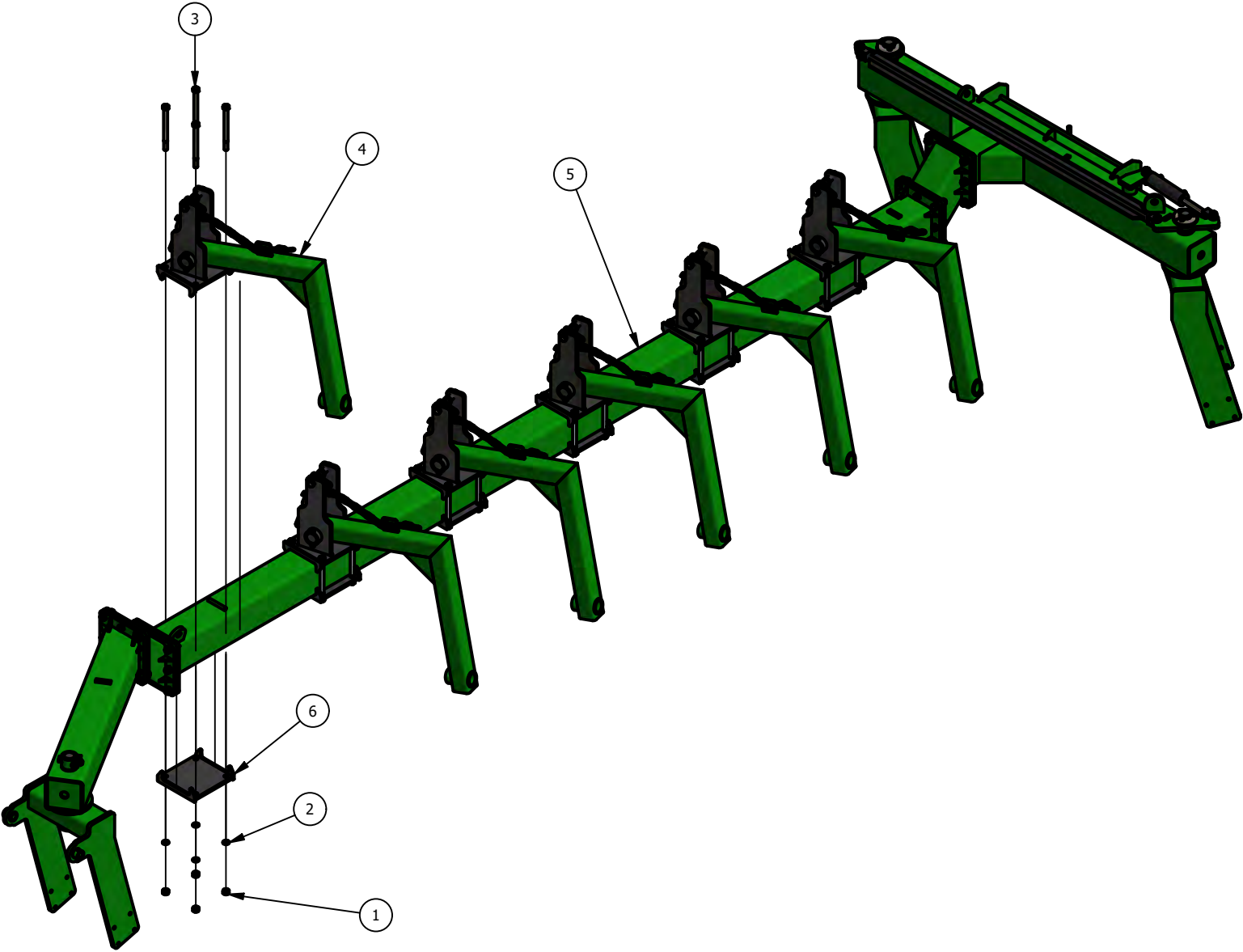
ITEM	ITEM QTY	PART NUMBER	DESCRIPTION
1	12	0812-2000	HEX NUT, 5/8 ZP
2	12	1602-2000	LOCK WASHER, 5/8 ZP
3	12	2816-2050	HEX HEAD BOLT, 5/8 X 5 GR5 ZP
4	6	84-507-50	STAR WHEEL ASSEMBLY
5	1	84-528-50	ROLLING FRAME
6	6	94-523-50	STAR WHEEL CAP BUSHING
7	6	96-539-50	STAR WHEEL SHAFT

# 84-528-50 ROLLING FRAME



ITEM	ITEM QTY	PART NUMBER	DESCRIPTION
1	24	0812-2400	HEX NUT, 3/4
2	24	1602-2400	LOCK WASHER, 3/4 ZP
3	24	2816-2430	HEX HEAD BOLT, 3/4 X 3 GR5 ZP
4	2	2816-2440	HEX HEAD BOLT, 3/4 X 4 GR5 ZP
5	6	77-594-50	WHEEL SHAFT SPACER
6	1	83-545-50	COULTER ASSY, 56" TIRE
7	1	84-527-50	FRAME-TOWER-ARM ASSEMBLY
8	3	84-531-50	WHEEL ASSEMBLY 56"

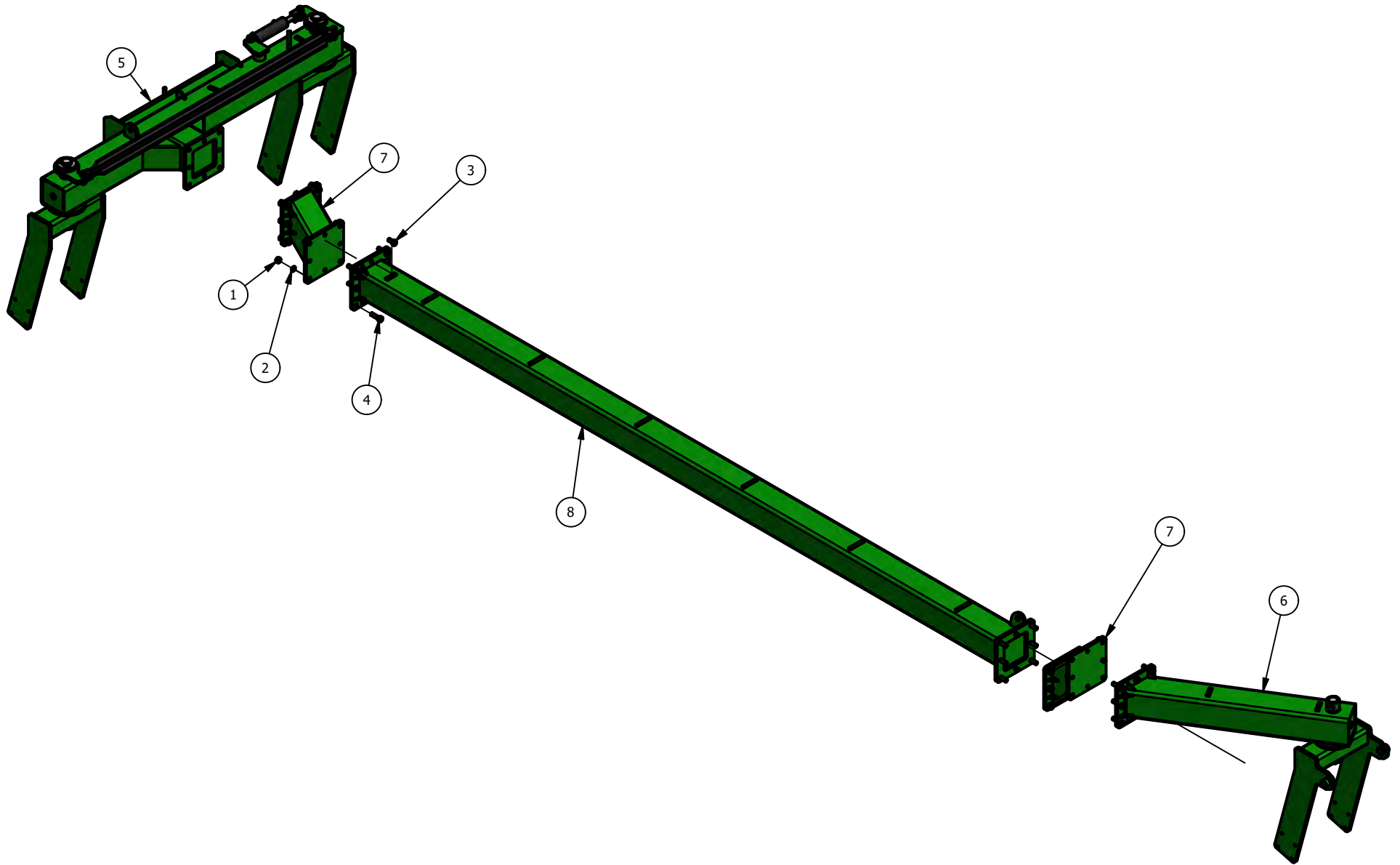
# FRAME-TOWER-ARM ASSEMBLY 84-527-50





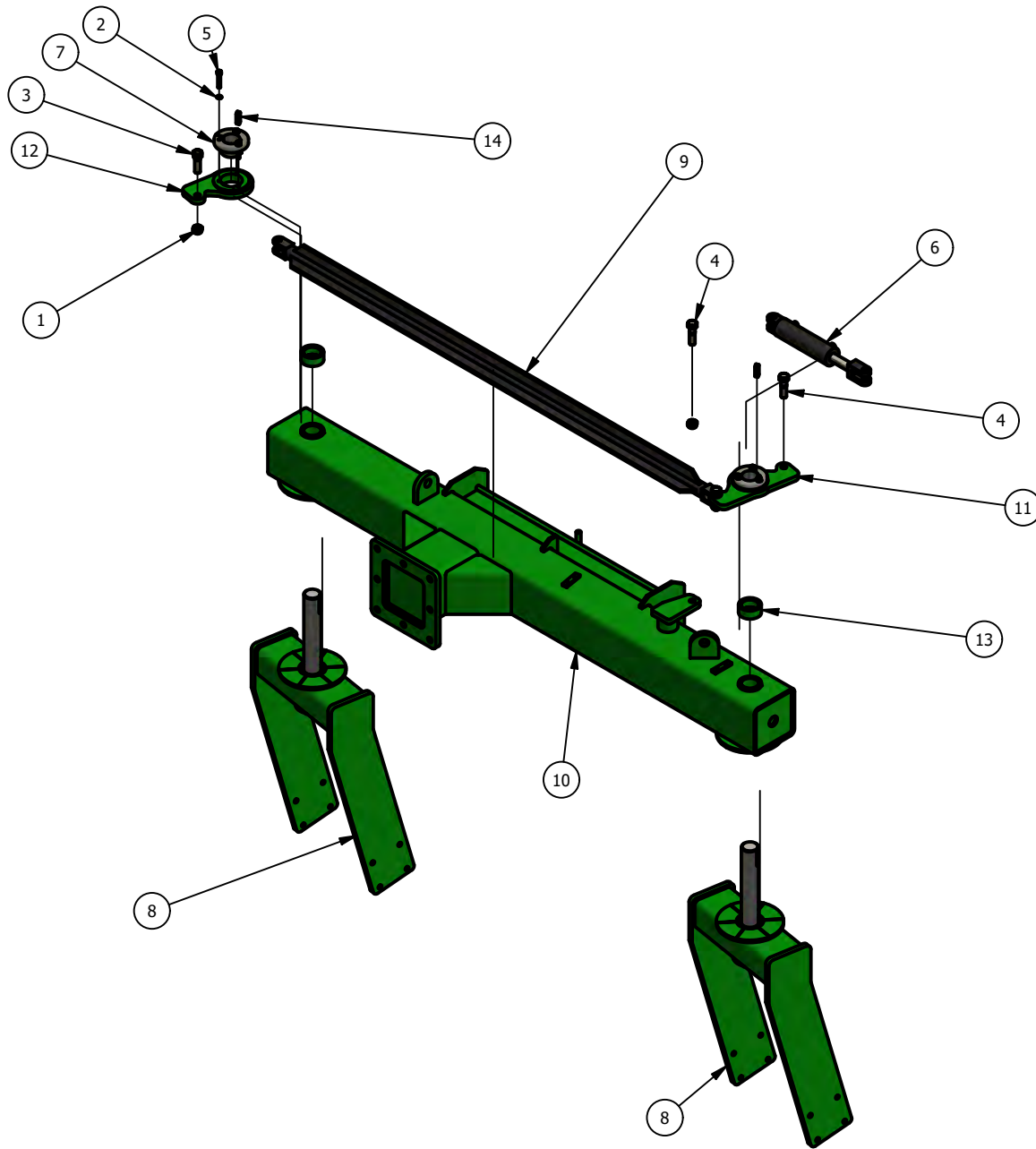
ITEM	ITEM QTY	PART NUMBER	DESCRIPTION
1	24	0812-3200	HEX NUT, 1 ZP
2	24	1602-3200	LOCK WASHER, 1 ZP
3	24	2818-32130	HEX HEAD BOLT, 1 X 13, GR 8
4	6	84-513-50	RAKE ARM-TOWER ASSEMBLY
5	1	84-526-50	FRAME ASSEMBLY 56" TIRE
6	6	85-533-50	CLAMP PLATE WELDMENT

# 84-526-50 FRAME ASSEMBLY 56" TIRE



ITEM	ITEM QTY	PART NUMBER	DESCRIPTION
1	23	0812-3200	HEX NUT, 1 ZP
2	23	1602-3200	LOCK WASHER, 1 ZP
3	9	2816-3220	HEX HEAD BOLT, 1 X 2 GR5 ZP
4	23	2816-3234	HEX HEAD BOLT, 1 X 3-1/2 GR5 ZP
5	1	84-522-50	REAR FRAME ASSEMBLY 56" TIRE
6	1	84-524-50	FRONT FRAME ASSEMBLY
7	2	85-554-50	TOOLBAR DROP TUBE WELDMENT
8	1	85-566-50	MAIN TOOL BAR WELDMENT

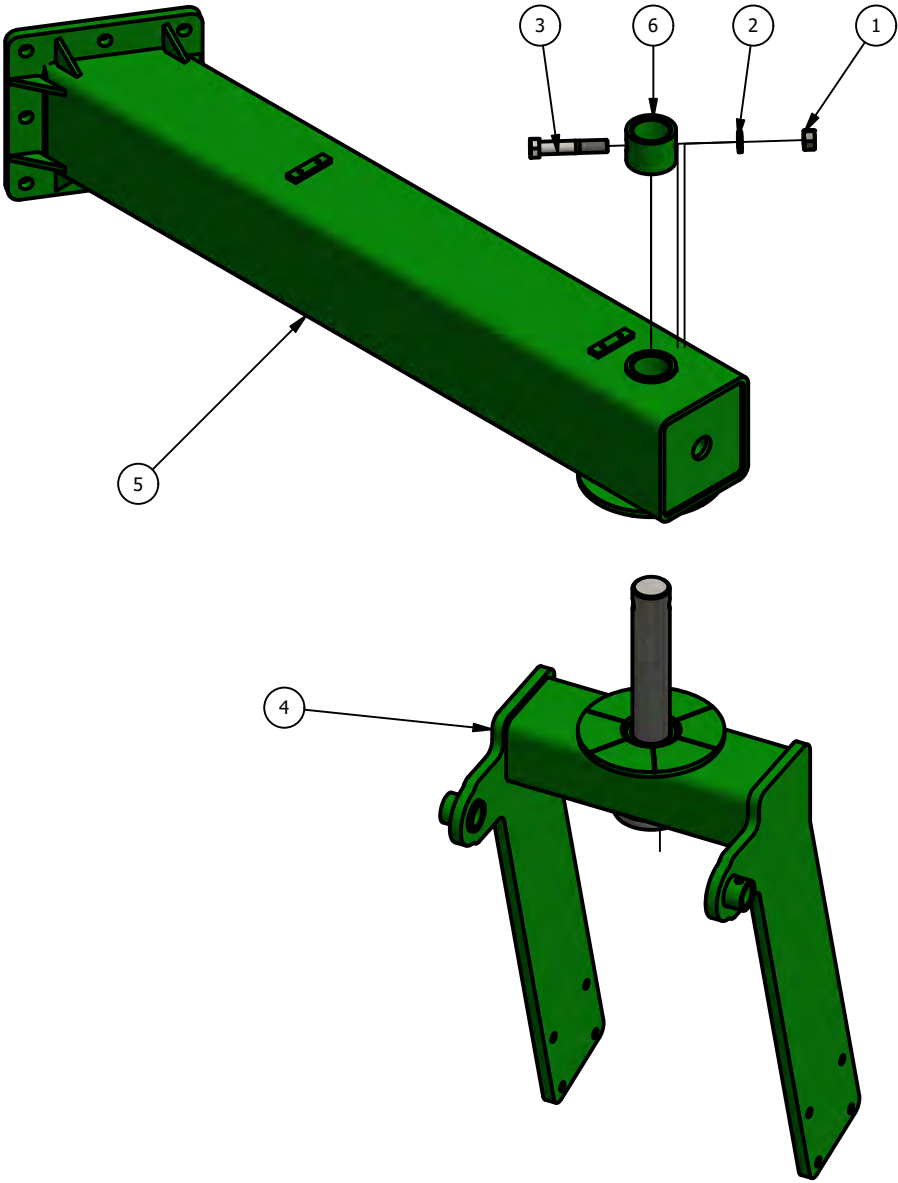
# 84-522-50 REAR FRAME ASSEMBLY 56" TIRE





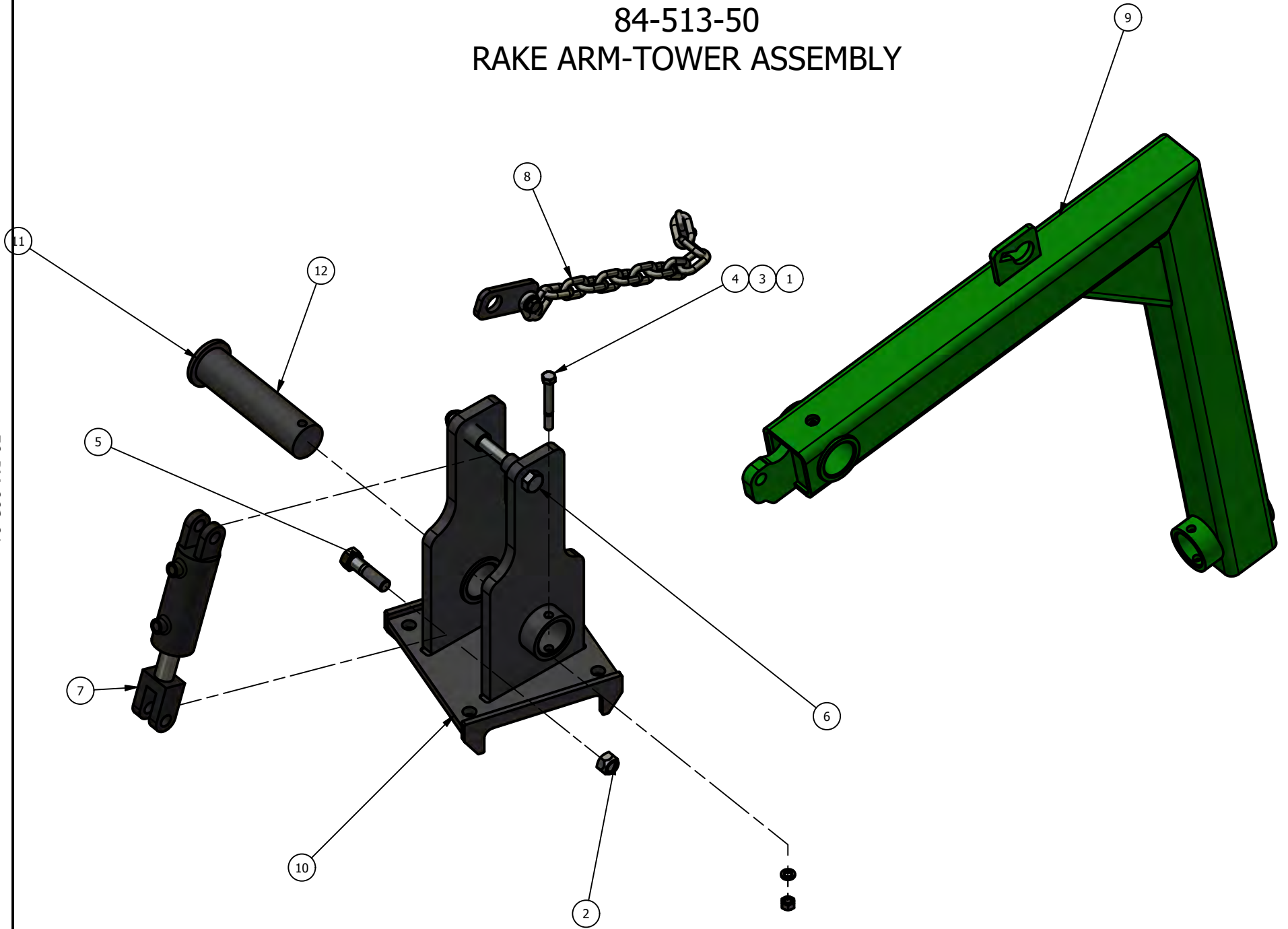
ITEM	ITEM QTY	PART NUMBER	DESCRIPTION
1	4	1412-3200	LOCK NUT, 1 STOVER ZP
2	6	1602-1600	LOCK WASHER, 1/2 ZP
3	2	2816-3234	HEX HEAD BOLT, 1 X 3-1/2 GR5 ZP
4	2	2816-3236	HEX HEAD BOLT, 1 X 3-3/4 GR5 ZP
5	6	2818-1630	HEX HEAD BOLT, 1/2 X 3 GR 8 FT
6	1	79-025-50	STEERING CYLINDER 3x8
7	2	79-595-50	BUSHING E3
8	2	84-523-50	REAR YOKE ASSEMBLY 56" TIRE
9	1	85-506-50	STEERING LINKAGE
10	1	85-555-50	REAR TOOL BAR WELDMENT
11	1	85-557-50	STEERING LUG WELDMENT, DOUBLE
12	1	85-558-50	STEERING LUG WELDMENT, SINGLE
13	2	94-517-50	REAR YOKE SHAFT SPACER
14	2	95-001-50	KEY

# 84-524-50 FRONT FRAME ASSEMBLY



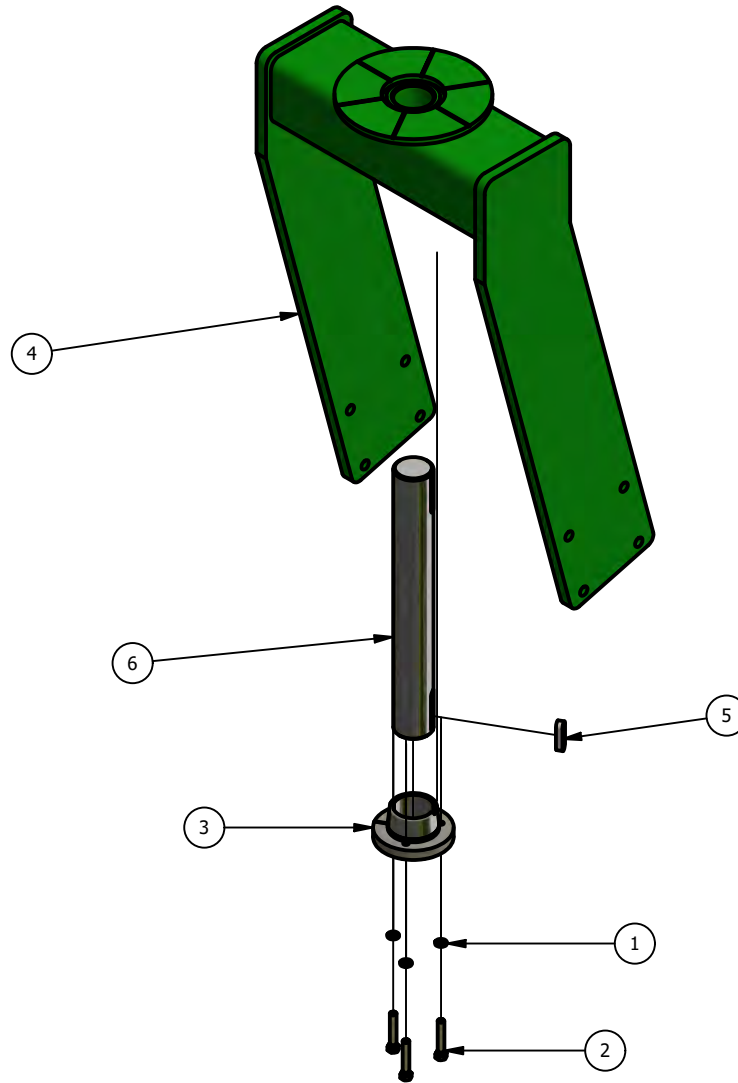
ITEM	ITEM QTY	PART NUMBER	DESCRIPTION
1	1	0812-3200	HEX NUT, 1 ZP
2	1	1602-3200	LOCK WASHER, 1 ZP
3	1	2816-3254	HEX HEAD BOLT, 1 X 5-1/2 GR5 ZP
4	1	84-525-50	FRONT YOKE ASSMEBLY 56" TIRE
5	1	85-564-50	FRONT TOOLBAR WELDMENT
6	1	94-524-50	FRONT YOKE ASSEMBLY CAP BUSHING

# 84-513-50 RAKE ARM-TOWER ASSEMBLY



ITEM	ITEM QTY	PART NUMBER	DESCRIPTION
1	1	0812-2000	HEX NUT, 5/8 ZP
2	2	1412-3200	LOCK NUT, 1 STOVER ZP
3	1	1602-2000	LOCK WASHER, 5/8 ZP
4	1	2816-2050	HEX HEAD BOLT, 5/8 X 5 GR5 ZP
5	1	2816-3236	HEX HEAD BOLT, 1 X 3-3/4 GR5 ZP
6	1	2818-3294	Hex Head Bolt, 1 x 9-1/2, Gr 8
7	1	79-024-50	RAKE ARM CYLINDER, 3x4
8	1	85-503-50	TOWER CHAIN ASSEMBLY
9	1	85-513-50	RAKE ARM WELDMENT
10	1	85-534-50	TOWER WELDMENT
11	1	94-540-50	PIVOT SHAFT RING
12	1	96-541-50	PIVOT SHAFT

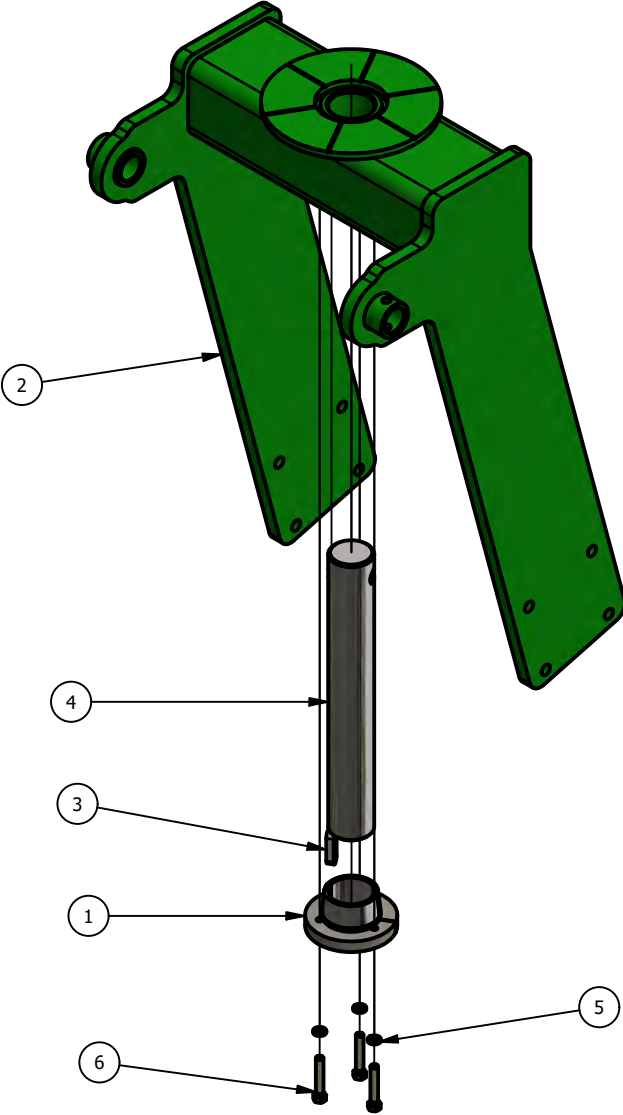
# 84-523-50 REAR YOKE ASSEMBLY 56" TIRE





ITEM	ITEM QTY	PART NUMBER	DESCRIPTION
1	3	1602-1600	LOCK WASHER, 1/2 ZP
2	3	2818-1630	HEX HEAD BOLT, 1/2 X 3 GR 8 FT
3	1	79-595-50	BUSHING E3
4	1	85-545-50	REAR WHEEL YOKE WELDMENT, 58" TIRE
5	1	95-001-50	KEY
6	1	96-599-50	REAR YOKE SHAFT

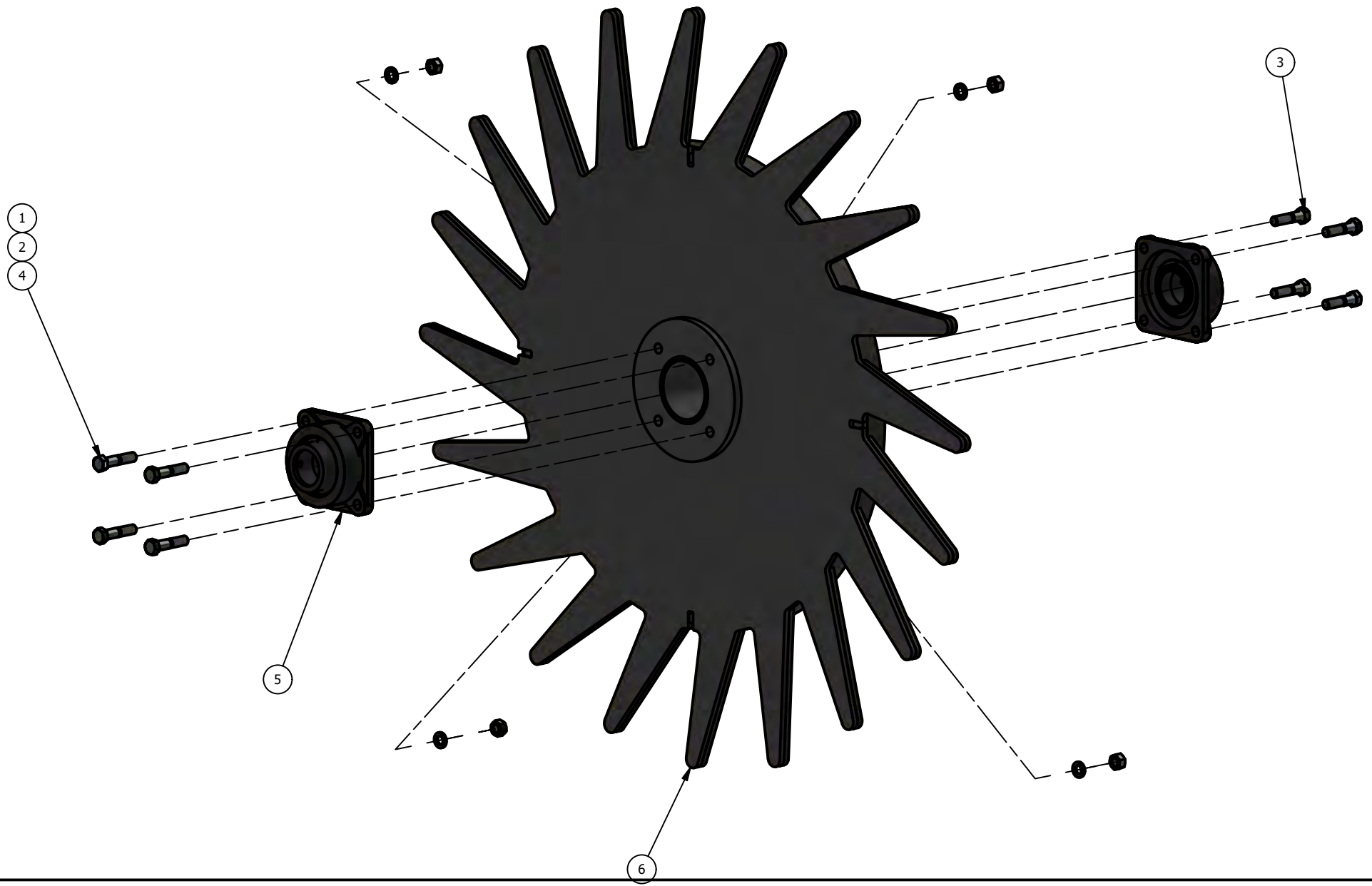
84-525-50  
FRONT YOKE ASSMEBLY 56" TIRE





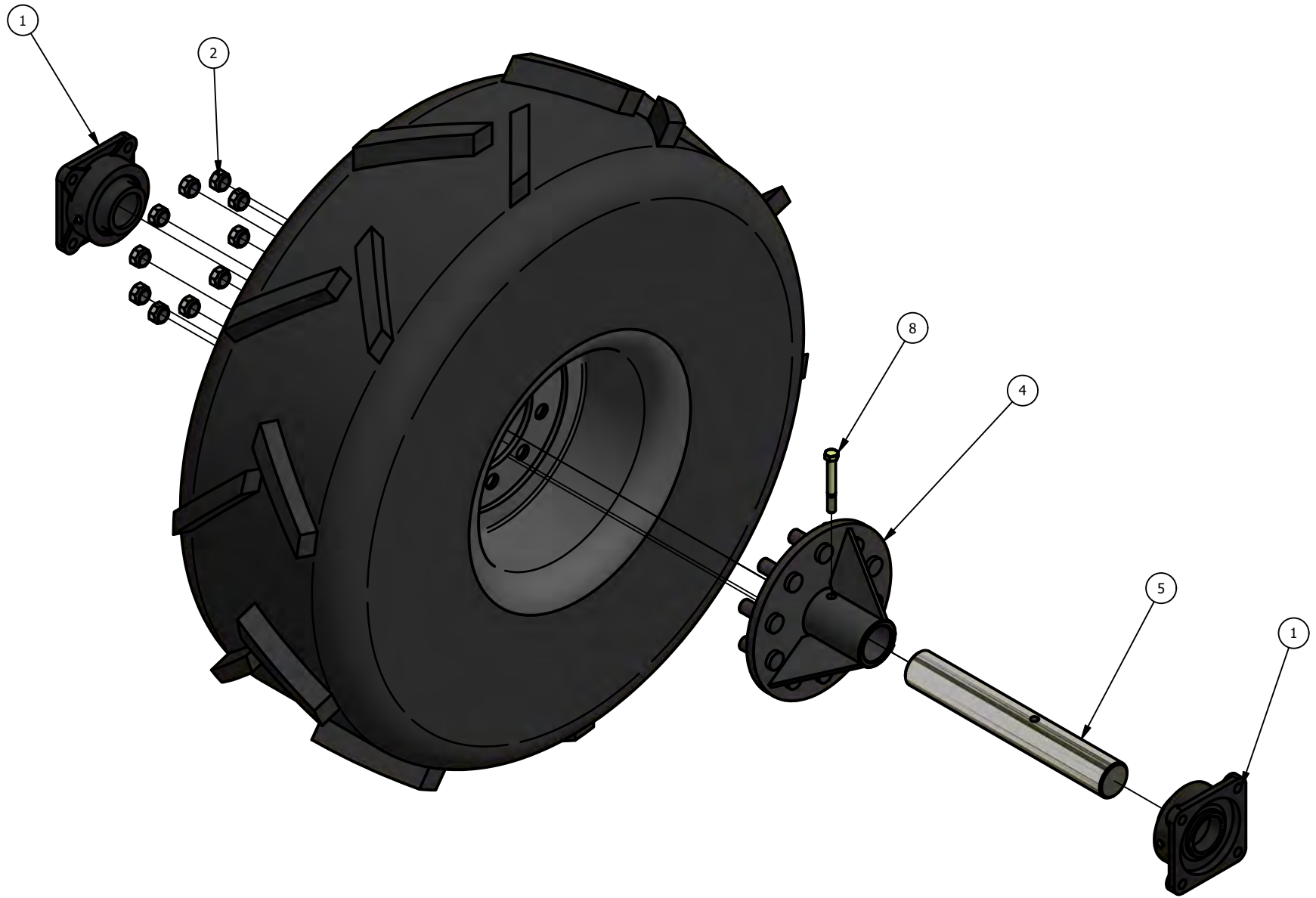
ITEM	ITEM QTY	PART NUMBER	DESCRIPTION
1	1	79-595-50	BUSHING E3
2	1	85-546-50	FRONT WHEEL YOKE WELDMENT
3	1	95-001-50	KEY
4	1	96-547-50	FRONT YOKE SHAFT
5	3	1602-1600	LOCK WASHER, 1/2 ZP
6	3	2818-1630	HEX HEAD BOLT, 1/2 X 3 GR 8 FT

# 84-507-50 STAR WHEEL ASSEMBLY



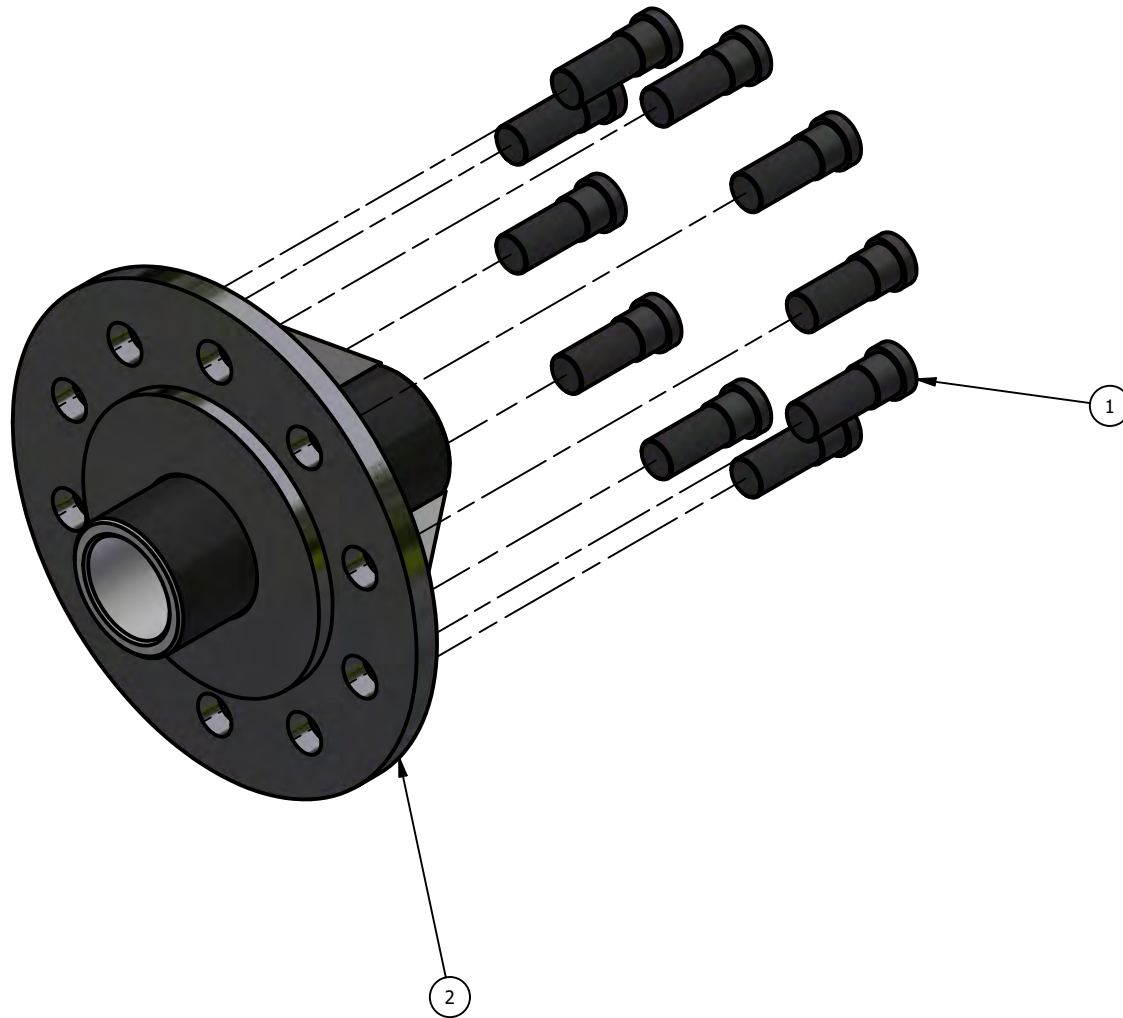
ITEM	ITEM QTY	PART NUMBER	DESCRIPTION
1	8	0812-2400	HEX NUT, 3/4
2	8	1602-2400	LOCK WASHER, 3/4 ZP
3	4	2816-2430	HEX HEAD BOLT, 3/4 X 3 GR5 ZP
4	4	2816-2434	HEX HEAD BOLT, 3/4 X 3 1/2 GR5 ZP
5	2	79-022-50	3" BEARING
6	1	85-529-50	STAR WHEEL WELDMENT

# 84-531-50 WHEEL ASSEMBLY 56"



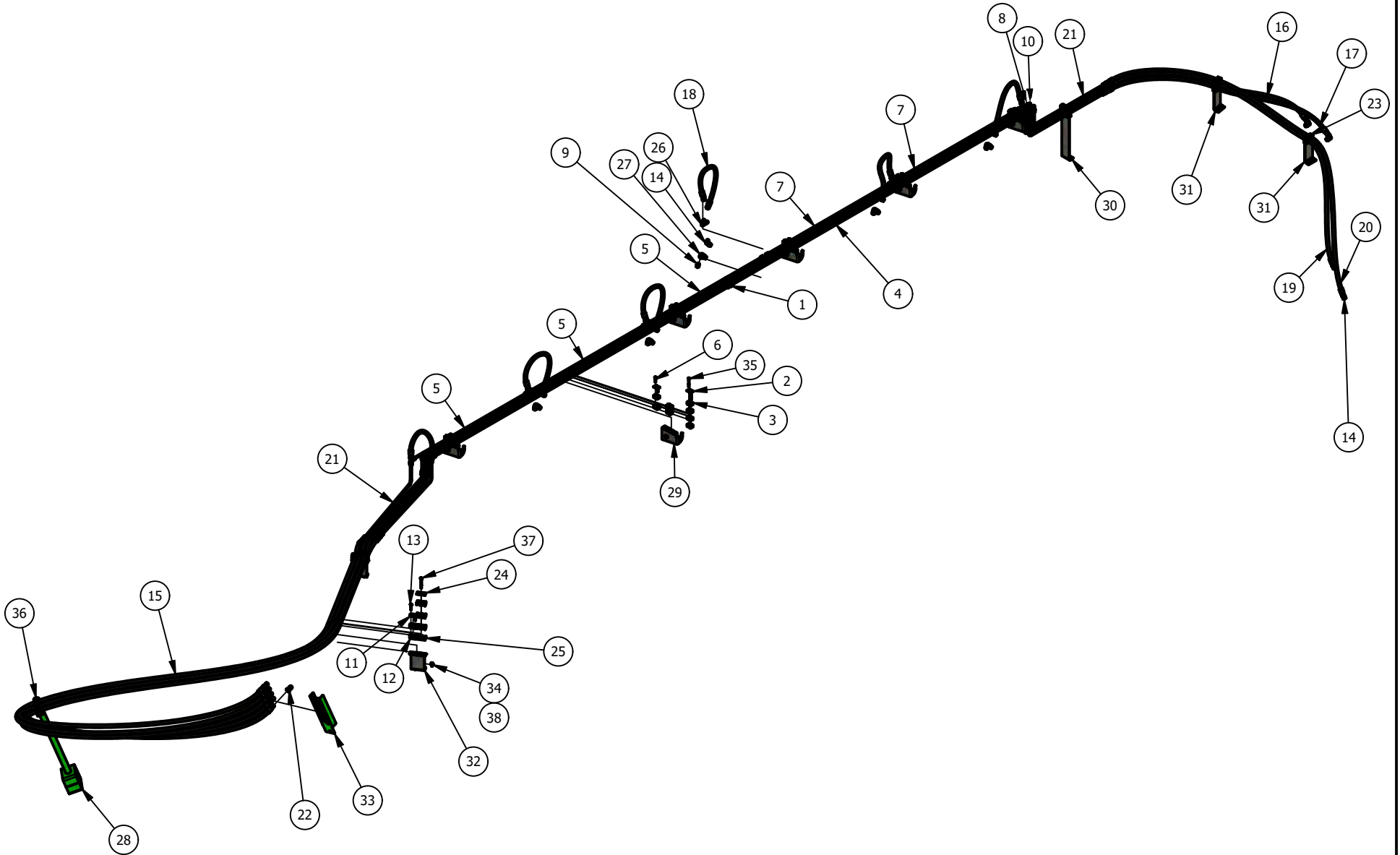
ITEM	ITEM QTY	PART NUMBER	DESCRIPTION
1	2	79-022-50	3" BEARING
2	10	79-027-50	LUG NUT
3	1	84-500-50	LUGGED TIRE ASSEMBLY
4	1	84-503-50	WHEEL HUB
5	1	96-550-50	TIRE SHAFT - `15 & LATER
6	1	0812-2000	HEX NUT, 5/8 ZP
7	1	1602-2000	LOCK WASHER, 5/8 ZP
8	1	2818-2050	HEX HEAD BOLT, 5/8 X 5 GR8 ZP

84-503-50  
WHEEL HUB



ITEM	ITEM QTY	PART NUMBER	DESCRIPTION
1	10	79-026-50	WHEEL STUD
2	1	85-610-50	WHEEL HUB WELDMENT

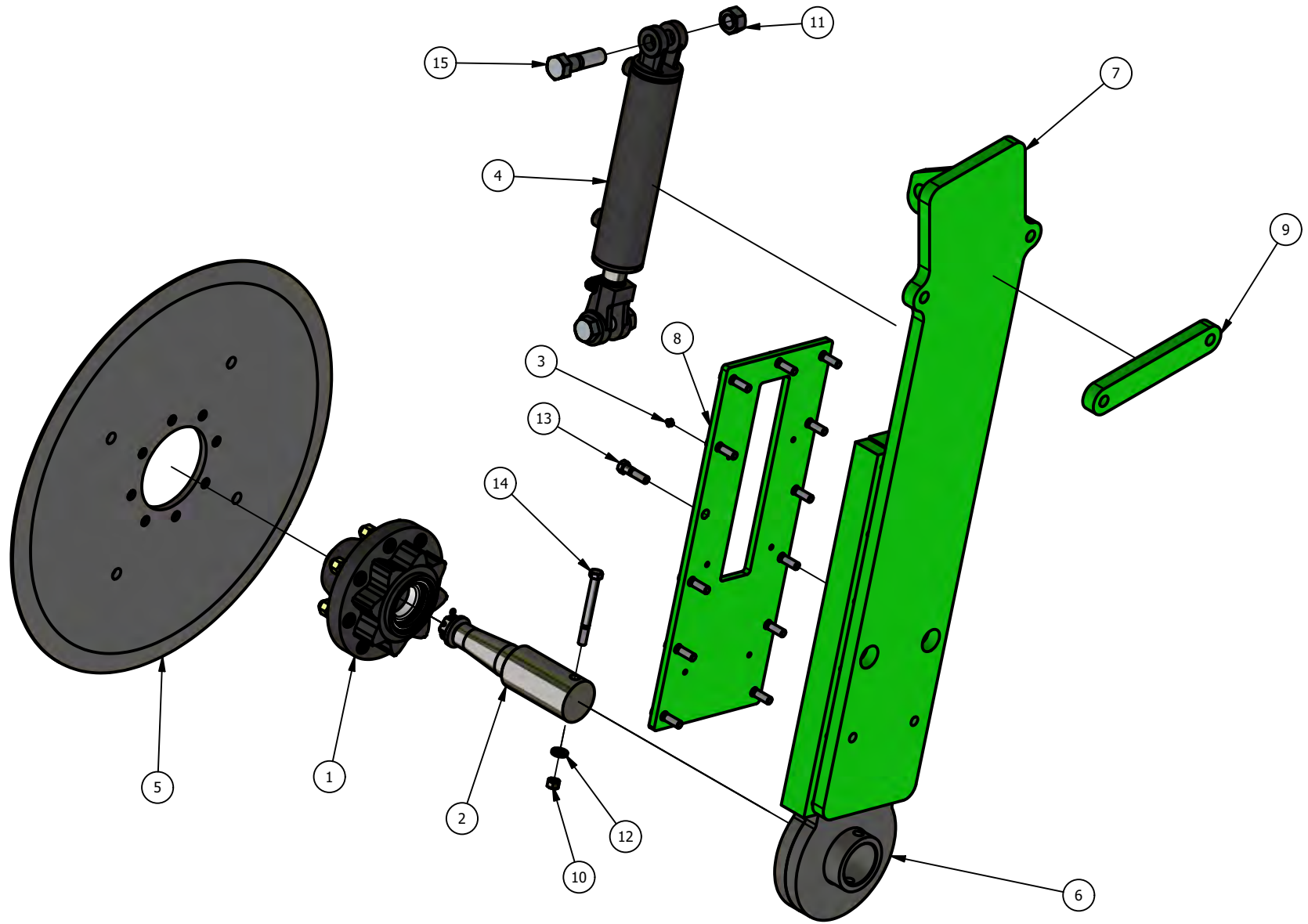
# 83-002-50 SERIES 50 HYDRAULIC KIT 56" TIRE

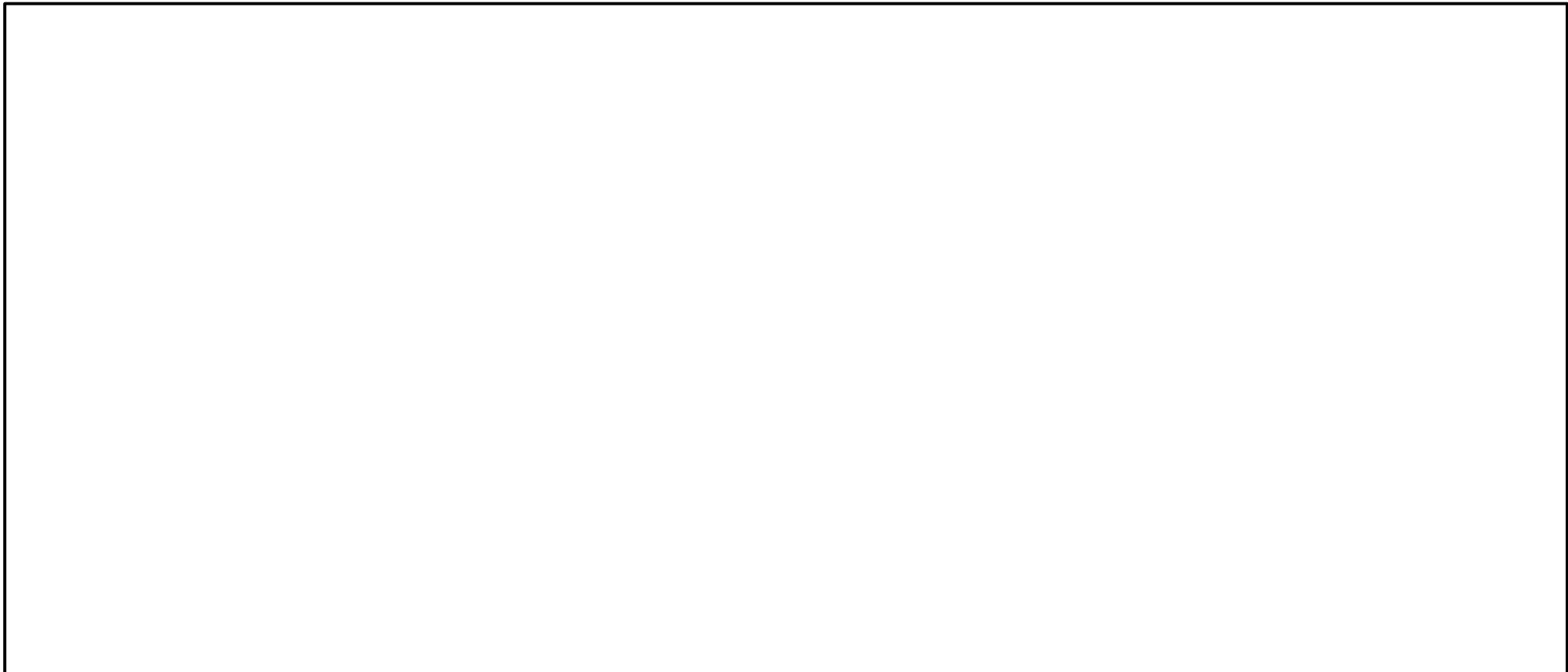




ITEM	ITEM QTY	PART NUMBER	DESCRIPTION
1	13	79-003-32	ADAPTOR, STR-MALE
2	20	79-034-50	SINGLE CLAMP TOP PLATE, SMALL
3	68	79-035-50	CLAMP, 1/2" TUBE, MIDDLE
4	4	79-037-50	1/2" X 120" STEEL TUBE
5	3	79-038-50	1/2" X 46" STEEL TUBE
6	12	79-039-50	HEX HEAD BOLT, 1/4 X 1-1/2 GR 2 BRASS
7	2	79-041-50	1/2" X 50" STEEL TUBE
8	4	79-042-50	1/2" X 122" STEEL TUBE
9	6	79-045-50	1/2" MORB BREATHER
10	9	79-048-50	90° ELBOW, 1/2" NPT ONLY
11	5	79-074-50	SINGLE CLAMP TOP PLATE, MEDIUM
12	14	79-075-50	SINGLE CLAMP, 1/2" HYD HOSE
13	6	79-076-50	HEX BOLT -1/4 X 1-3/4 BRASS
14	10	79-079-50	ELBOW, 1/2 MJIC - 1/2 MORB SAE ONLY
15	5	79-080-50	HYDRAULIC HOSE - 1/2"X220"
16	1	79-081-50	HYDRAULIC HOSE - 1/2"X80"
17	1	79-082-50	HYDRAULIC HOSE - 1/2"X89"
18	6	79-083-50	HYDRAULIC HOSE - 1/2"X27"
19	1	79-087-50	HYDRAULIC HOSE - 1/2"X135"
20	1	79-088-50	HYDRAULIC HOSE - 1/2"X145"
21	9	79-090-50	1/2" X 32-1/2", 7" X 90D HYDRAULIC STEEL TUBE ASSEMBLY
22	5	79-482-36	QUICK-CONNECT
23	1	79-496-50	TWIN CLAMP ASSEMBLY BOLT 3/8"X1-3/4" BRASS
24	4	79-497-50	TWIN CLAMP, LARGE TOP
25	14	79-498-50	TWIN CLAMP, 1/2" HYD HOSE
26	5	79-502-50	1/2" DIA. TEE - MJIC 8X8X8
27	6	79-518-50	90° ELBOW- 1/2" MALE W/O-RING- 1/2" FEMALE
28	1	85-500-50	TONGUE HOSE SUPPORT
29	6	85-512-50	TOWER HYD. CLAMP WELDMENT
30	1	85-614-50	HYDRAULIC LINE SUPPORT-REAR TOOLBAR
31	2	85-615-50	HYDRAULIC LINE SUPPORT-REAR
32	2	85-618-50	HYDRAULIC LINE SUPPORT-FRONT TOOLBAR WHEEL SIDE
33	1	93-812-50	HYDRAULIC HOSE HOLDER, 5 HOSE
34	10	1702-1200	FLAT WASHER, 3/8 ZP
35	28	2816-0826	HEX HEAD BOLT, 1/4 X 2-3/4 GR5 ZP
36	4	2816-0832	HEX HEAD BOLT, 1/4 X 3-1/4" GR5 ZP
37	3	2816-1032	HEX HEAD BOLT, 5/16 X 3-1/4" GR5 ZP
38	10	2816-1206	HEX HEAD BOLT, 3/8 X 3/4 GR5 ZP

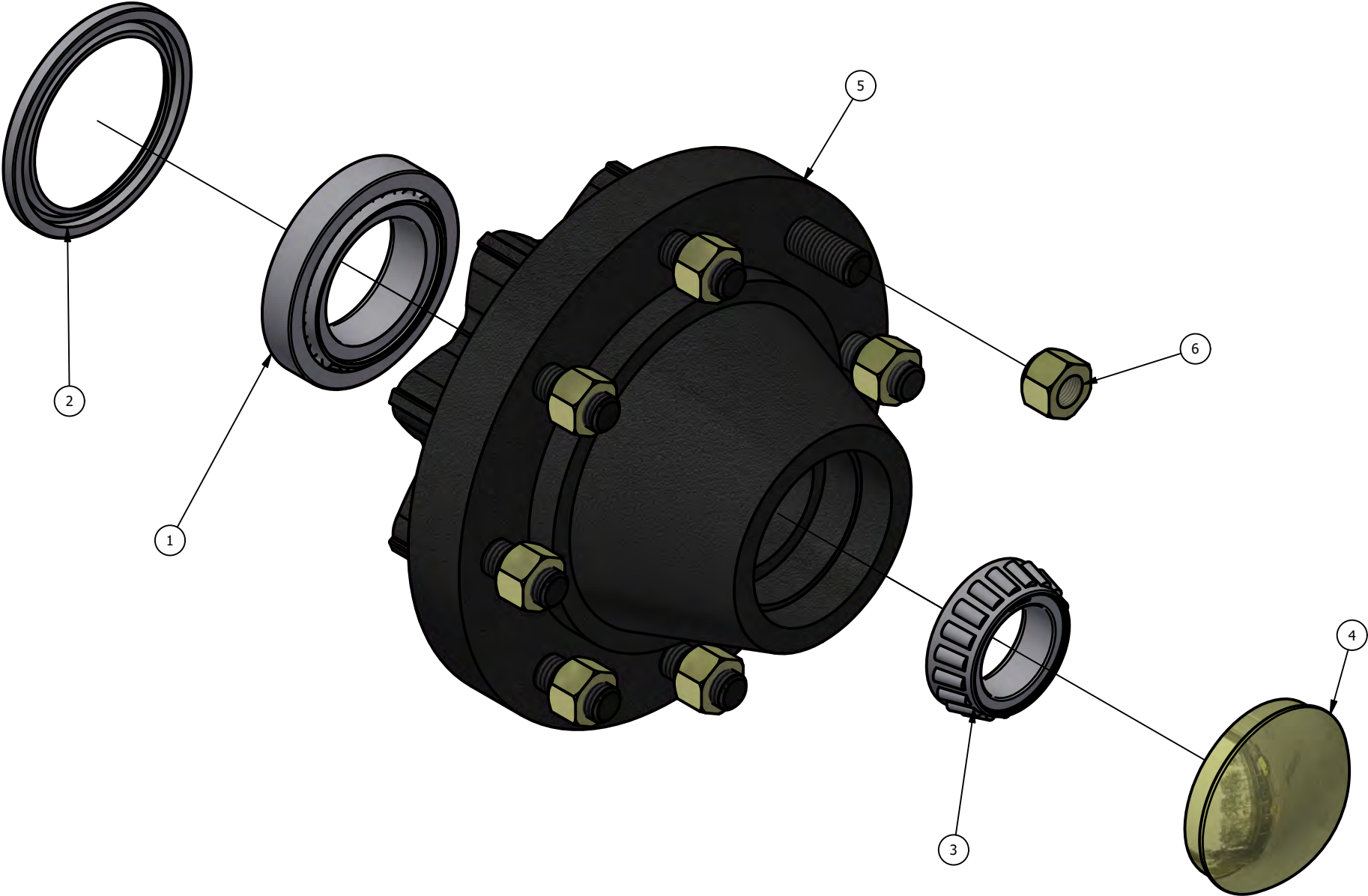
# 83-545-50 COULTER ASSY, 56" TIRE





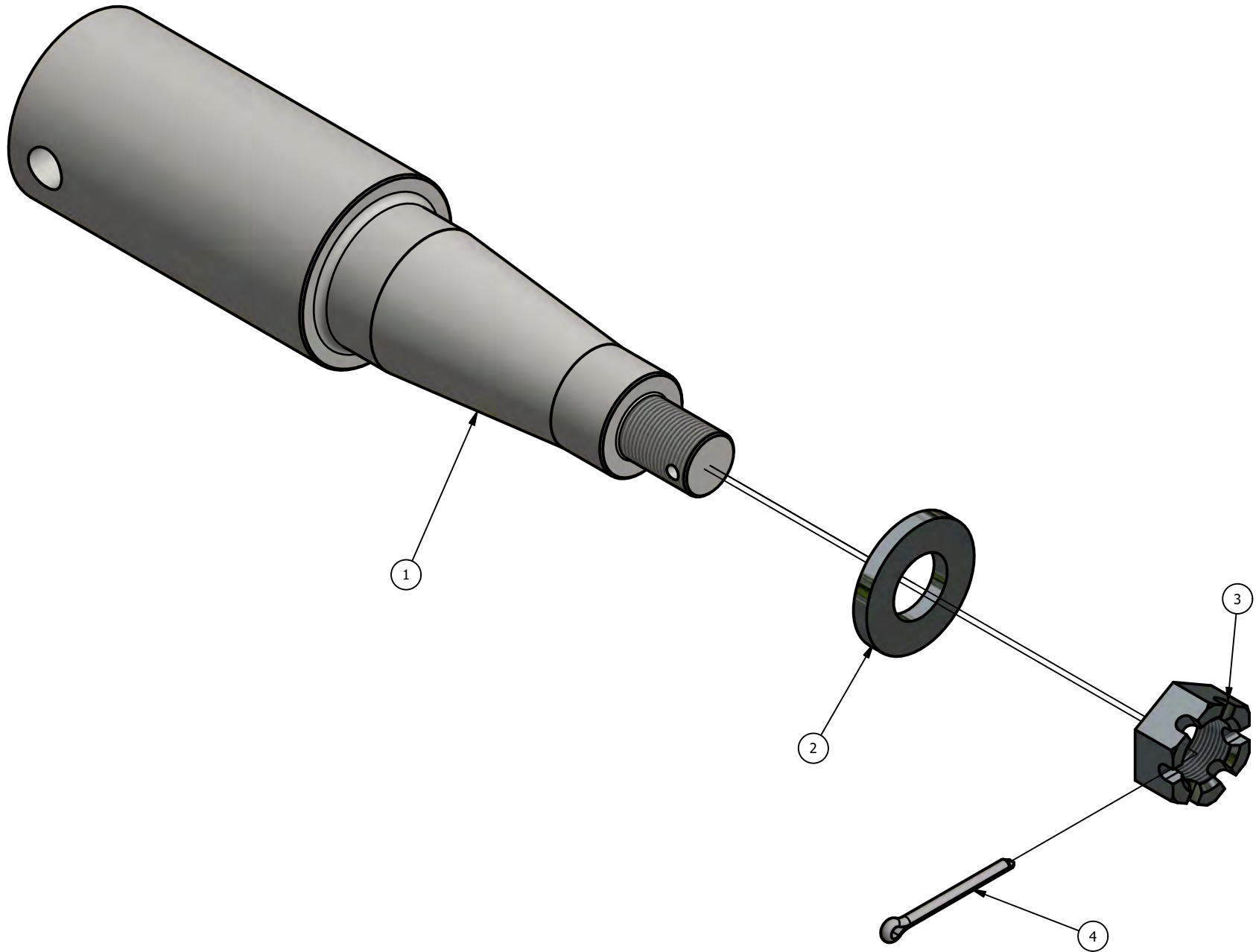
ITEM	ITEM QTY	PART NUMBER	DESCRIPTION
1	1	77-804-06	G75-8 HUB, 8 on 8" KIT
2	1	77-805-06	SPINDLE ASSEMBLY, 3"
3	6	79-005-38	1/8" NPT GREASE FITTING
4	1	79-101-50	COULTER CYLINDER, 3x10
5	1	79-801-50	COULTER DISC 30 INCH
6	1	85-543-50	COULTER DISC STUB PLATE WELDMENT, 56" TIRE
7	1	85-544-50	COULTER LEG WELDMENT, 56" TIRE
8	1	93-538-50	COULTER LEG GUIDE COVER PLATE
9	1	93-805-50	COULTER LEG BACK PLATE
10	1	0812-1600	HEX NUT, 1/2
11	2	0812-3200	HEX NUT, 1 ZP
12	1	1602-2000	LOCK WASHER, 5/8 ZP
13	13	2816-1620	HEX HEAD BOLT, 1/2 X 2 GR5 ZP
14	1	2816-1650	HEX HEAD BOLT, 1/2 X 5 GR5 ZP
15	2	2816-3236	HEX HEAD BOLT, 1 X 3-3/4 GR5 ZP

77-804-06  
G75-8 HUB, 8 on 8" KIT



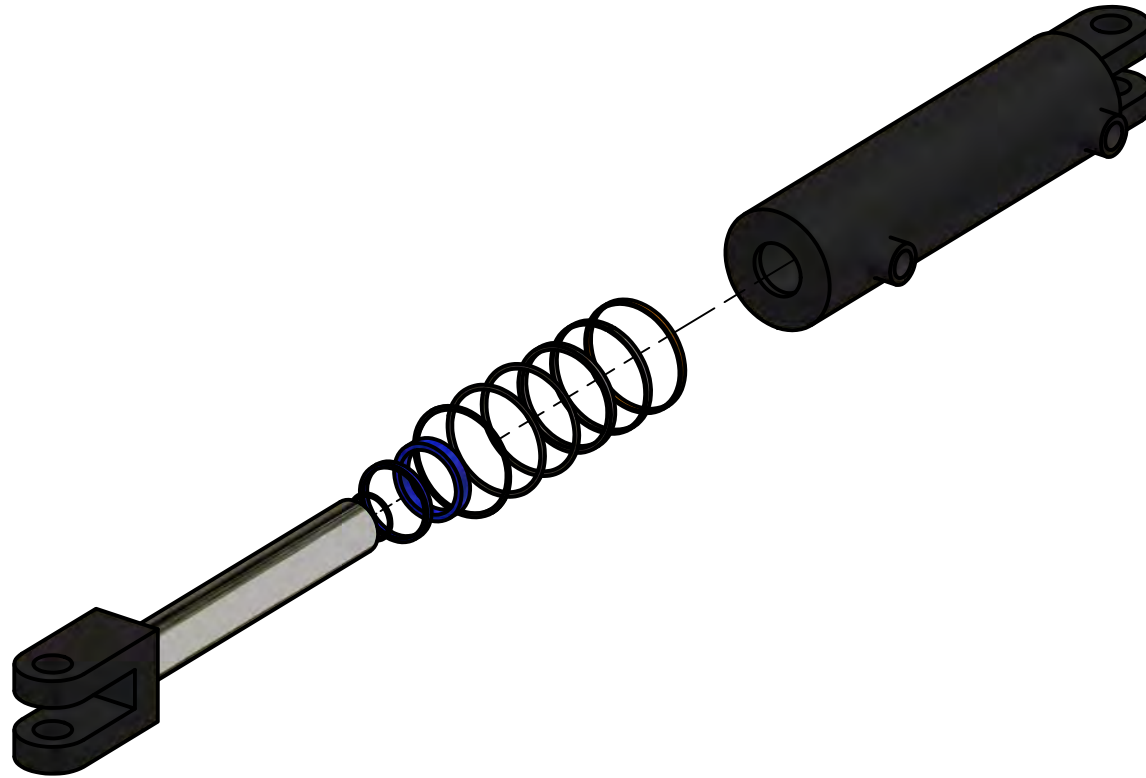
ITEM	ITEM QTY	PART NUMBER	DESCRIPTION
1	1	77-163-06A	INNER BEARING 387AS
2	1	77-166-06	SEAL, 8 ON 8
3	1	77-164-06	OUTTER BEARING
4	1	77-165-06	DUST CAP, 8 ON 8
5	1	77-161-06	TRAILER HUB, 8 LUG
6	8	77-162-06	LUG NUT, 5/8"-18

77-805-06  
SPINDLE ASSEMBLY, 3"



ITEM	ITEM QTY	PART NUMBER	DESCRIPTION
1	1	77-085-06	COULTER SPINDLE
2	1	77-171-06	SPINDLE WASHER, 1"
3	1	77-172-06	SPINDLE NUT - PICTORIAL
4	1	77-173-06	COTTER PIN, 2"

79-000-01  
HYDRAULIC CYLINDER SEAL KIT

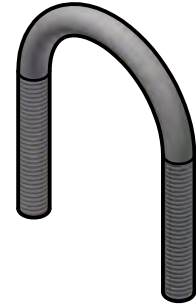




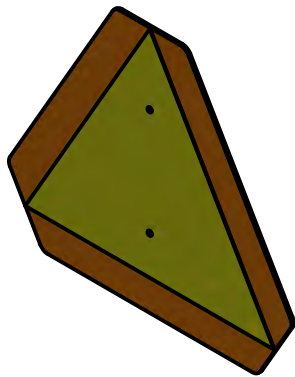
77-594-50  
WHEEL SHAFT SPACER



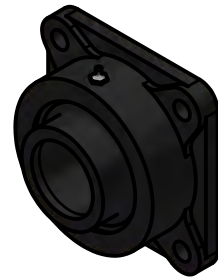
79-0003  
2" x 3/8 U-BOLT



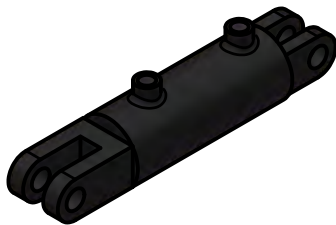
79-001-01M  
SLOW MOVING VEHICLE SIGN



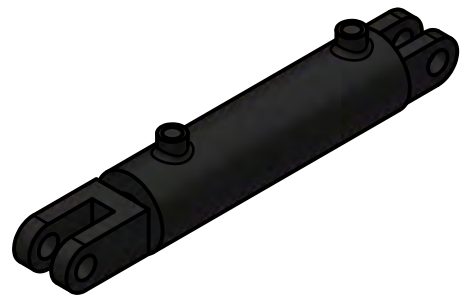
79-022-50  
3" BEARING



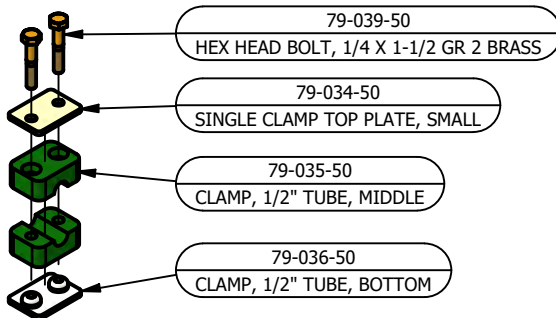
79-024-50  
RAKE ARM CYLINDER, 3x4



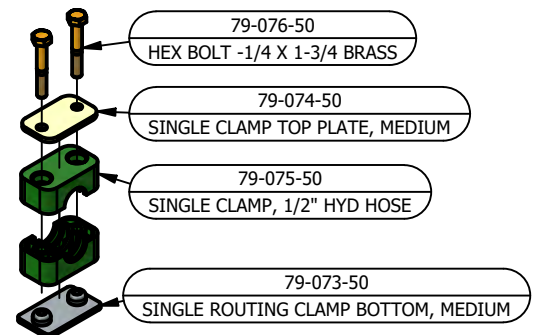
79-025-50  
STEERING CYLINDER 3x8



79-033-50  
CLAMP, 1/2" TUBE



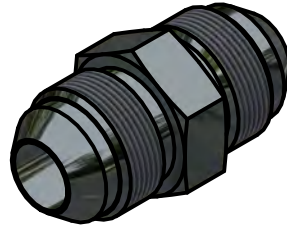
79-078-50  
ROUTING CLAMP, 1/2" HYD HOSE



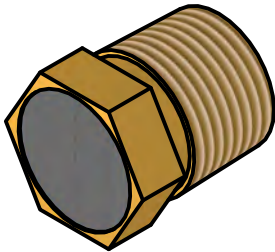
79-101-50  
COULTER CYLINDER, 3x10



79-003-32  
STRAIGHT ADAPTER, 1/2 MJIC - 1/2 MJIC



79-045-50  
1/2" MORB BREATHER



79-048-50  
90° ELBOW, 1/2" NPT ONLY



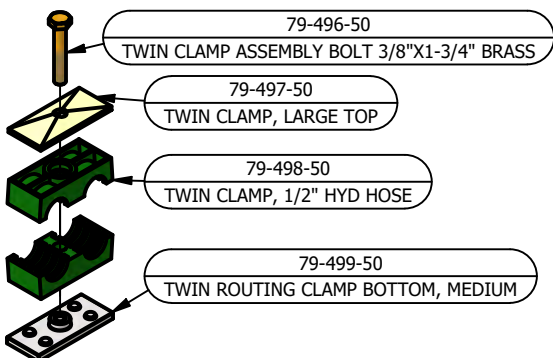
79-079-50  
ELBOW, 1/2 MJIC - 1/2 MORB SAE ONLY



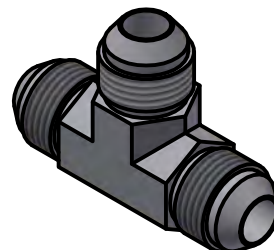
79-500-50  
RETAINING CHAIN LINK



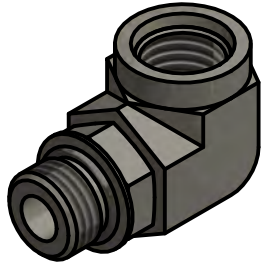
79-501-50  
TWIN HOSE ROUTING CLAMP



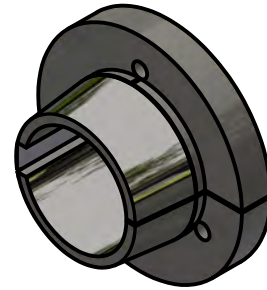
79-502-50  
1/2" DIA. TEE - MJIC 8X8X8



79-518-50  
90° ELBOW- 1/2" MALE W/O-RING- 1/2" FEMALE



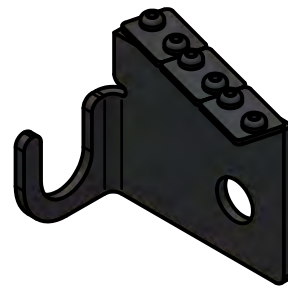
79-595-50  
BUSHING E3



85-509-50  
HITCH PIN WELDMENT



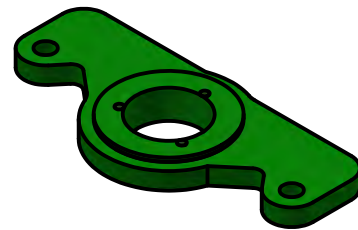
85-512-50  
TOWER HYD. CLAMP WELDMENT



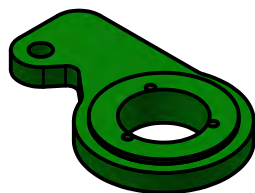
85-610-50  
WHEEL HUB WELDMENT



85-557-50  
STEERING LUG WELDMENT, DOUBLE



85-558-50  
STEERING LUG WELDMENT, SINGLE



85-614-50  
HYDRAULIC LINE SUPPORT-REAR TOOLBAR



85-615-50  
HYDRAULIC LINE SUPPORT-REAR



85-618-50  
HYDRAULIC LINE SUPPORT-FRONT TOOLBAR WHEEL SIDE



93-812-50  
HYDRAULIC HOSE HOLDER, 5 HOSE



96-539-50  
STAR WHEEL SHAFT



96-541-50  
PIVOT SHAFT



96-547-50  
FRONT YOKE SHAFT



96-550-50  
TIRE SHAFT - `15 & LATER



96-599-50  
REAR YOKE SHAFT



98-500-50  
SMV ARM



STEEL HYDRAULIC LINES

- 79-037-50** 1/2" X 120" STEEL TUBE
- 79-038-50** 1/2" X 46" STEEL TUBE
- 79-041-50** 1/2" X 50" STEEL TUBE
- 79-042-50** 1/2" X 122" STEEL TUBE

HYDRAULIC HOSE ASSEMBLIES

- 79-080-50** TO TRACTOR 1/2" x 220"
- 79-081-50** STEERING EXTEND 1/2" x 80"
- 79-082-50** STEERING RETRACT 1/2" x 89"
- 79-083-50** STAR WHEEL EXTEND 1/2" x 27"
- 79-087-50** COULTER EXTEND 1/2" x 135"
- 79-088-50** COULTER RETRACT 1/2" x 145"