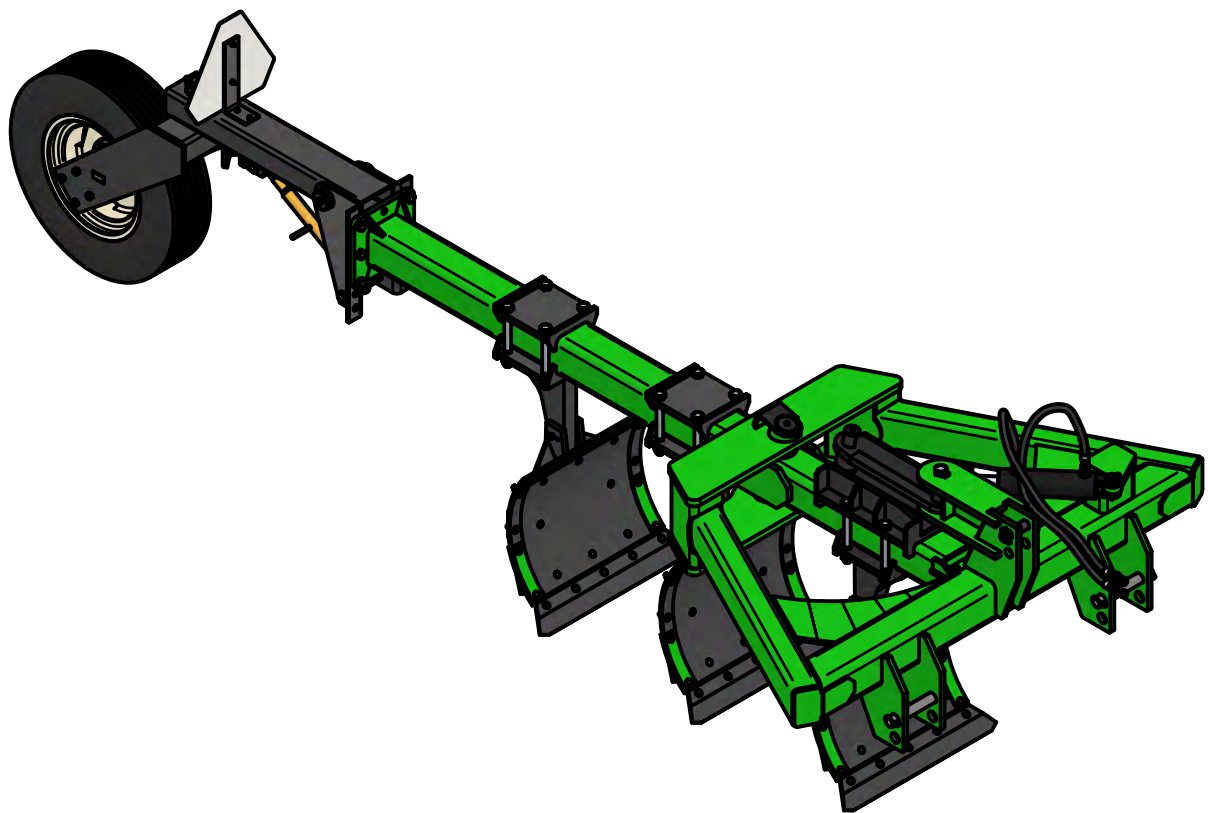




9403 SWITCH PLOW



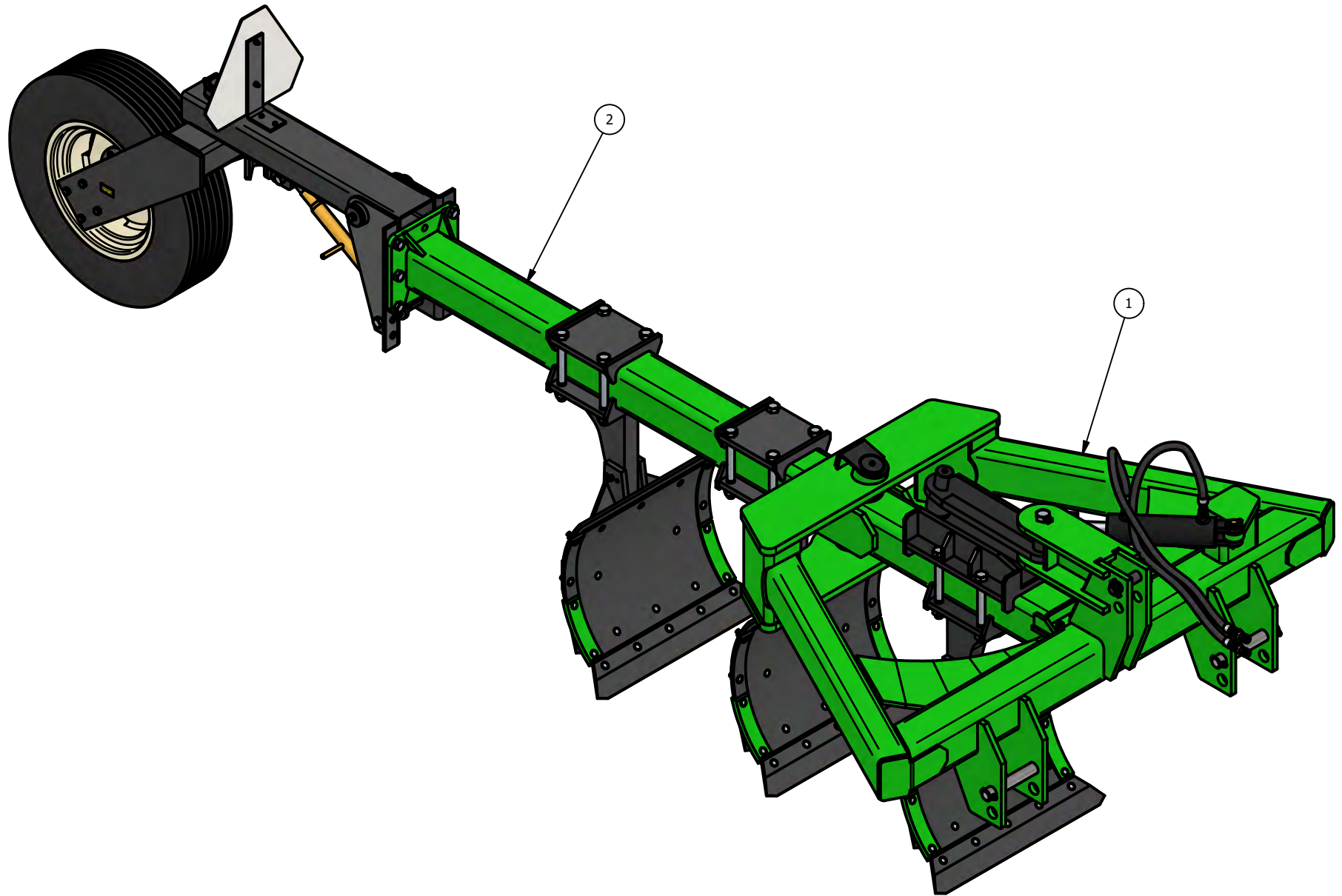
216 INDUSTRIAL BLVD., RAMP 2
BAINBRIDGE, GA 39817
(229) 246-0350
www.harrellag.com

94-PM-003-01

TABLE OF CONTENTS

| | | |
|-----------------|--|----|
| 70-003-63..... | 9403 SWITCH PLOW..... | 4 |
| 84-1000-94..... | 9400 SWITCH PLOW MAIN ASSEMBLY..... | 6 |
| 84-1005-94..... | 9403 TOOLBAR ASSEMBLY..... | 8 |
| 72-001-94..... | 9400 SWITCH PLOW - FRONT BOTTOM KIT..... | 10 |
| 72-002-63..... | FORWARD INTERMEDIATE BOTTOM KIT..... | 12 |
| 72-005-63..... | FORWARD REAR BOTTOM KIT..... | 14 |
| 83-003-36..... | MOLD BOARD w/SHORT SLIDES..... | 16 |
| 83-206-36..... | MOLD BOARD w/LONG SLIDES..... | 18 |
| 83-004-63..... | REAR GAUGE WHEEL BUNDLE..... | 20 |
| 84-1000-63..... | REAR GAUGE WHEEL ASSEMBLY..... | 22 |
| 84-1003-94..... | HYDRAULIC HOSE ASSEMBLY | 24 |
| MISC PARTS..... | | 26 |

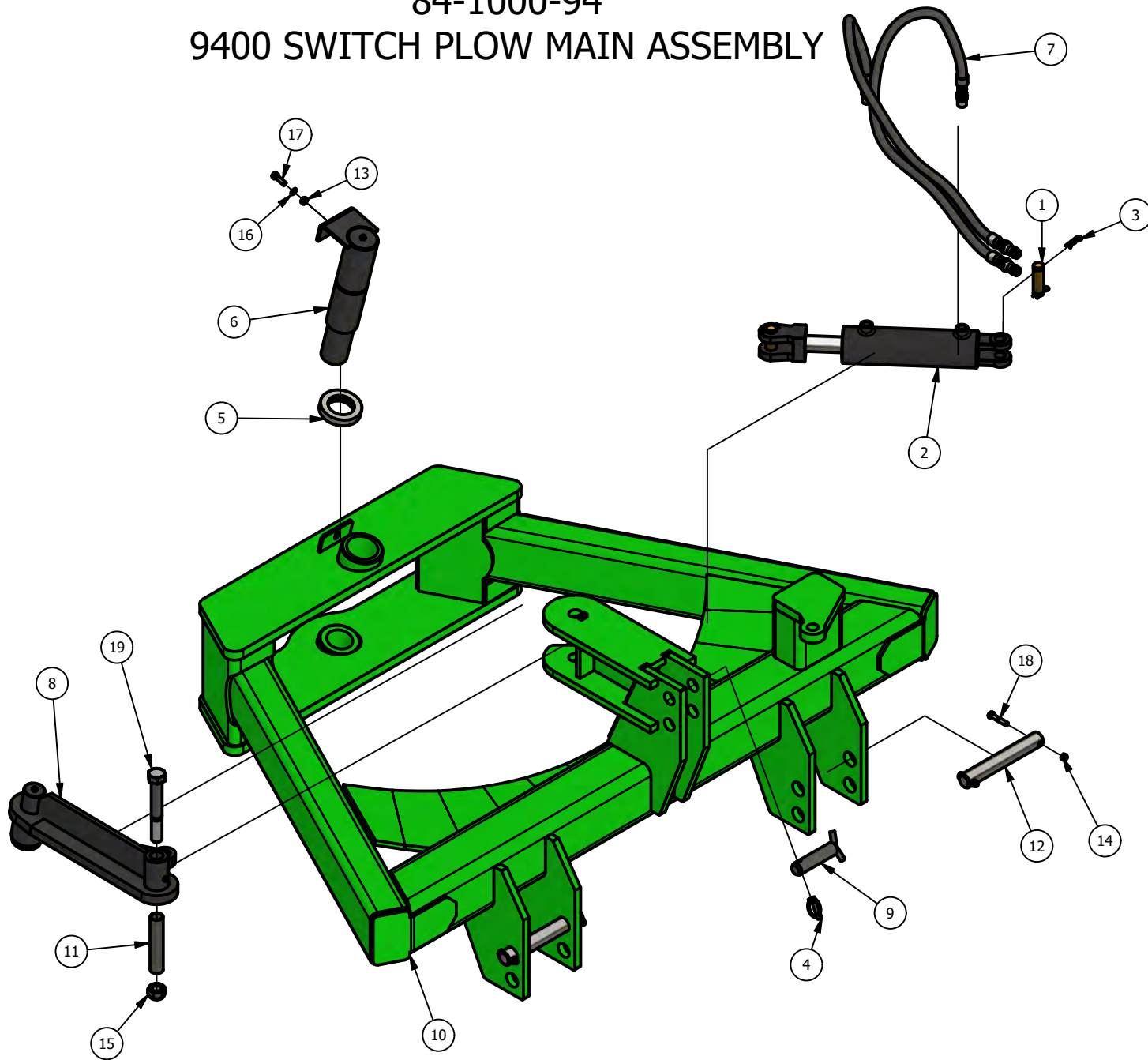
70-004-94
9403 SWITCH PLOW





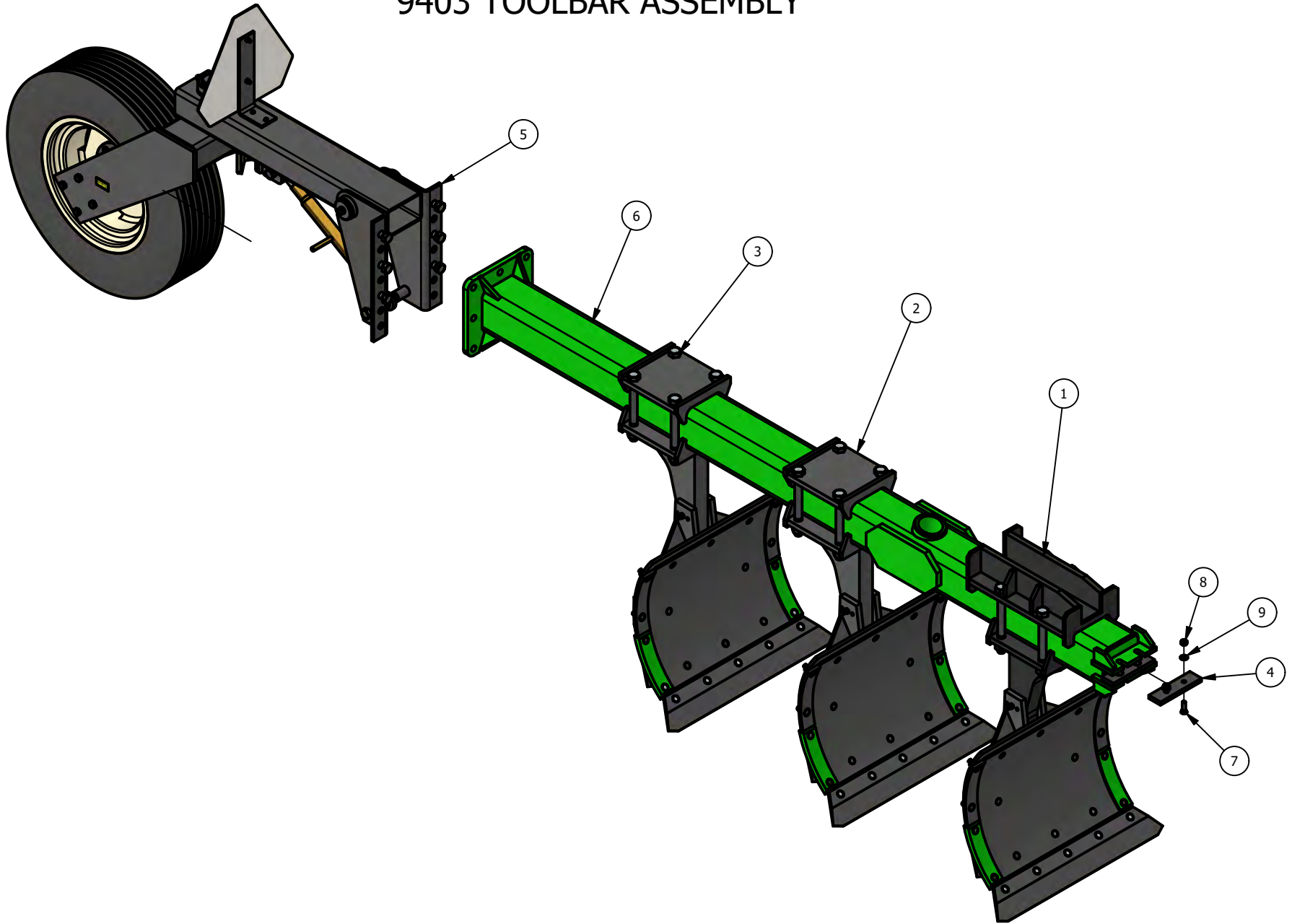
| ITEM | ITEM QTY | PART NUMBER | DESCRIPTION |
|------|----------|-------------|--------------------------------|
| 1 | 1 | 84-1000-94 | 9400 SWITCH PLOW MAIN ASSEMBLY |
| 2 | 1 | 84-1005-94 | 9403 TOOLBAR ASSEMBLY |

84-1000-94 9400 SWITCH PLOW MAIN ASSEMBLY



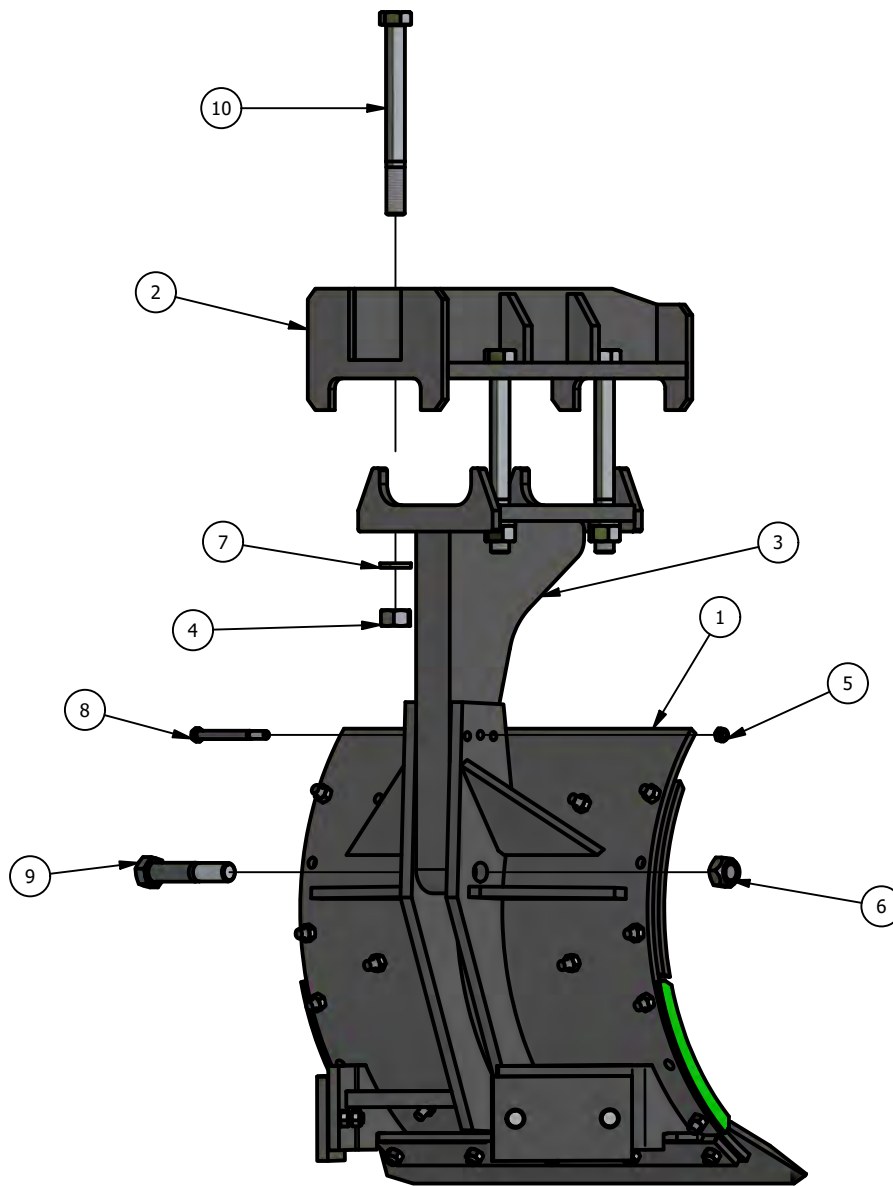
| ITEM | ITEM QTY | PART NUMBER | DESCRIPTION |
|------|----------|-------------|------------------------------------|
| 1 | 2 | 79-006-06 | CLEVIS PIN - 1" DIA. X 3-1/4" |
| 2 | 1 | 79-025-50 | HYDRAULIC CYLINDER |
| 3 | 4 | 79-043-06 | 1/8" HAIR PIN |
| 4 | 1 | 79-061-36 | 3/8" LYNCH PIN |
| 5 | 1 | 79-298-82 | THRUST BEARING - PICTORIAL |
| 6 | 1 | 84-1002-94 | PIVOT PIN WELDMENT ASSEMBLY |
| 7 | 1 | 84-1003-94 | 9400 HYDRAULIC HOSE ASSEMBLY |
| 8 | 1 | 85-005-94 | LOCK ARM WELDMENT |
| 9 | 1 | 85-029-36 | UPPER HITCH PIN WELDMENT |
| 10 | 1 | 85-1001-94 | HITCH TOOL BAR WELDMENT |
| 11 | 1 | 94-1007-94 | PIVOT PLATE BUSHING |
| 12 | 2 | 96-015-06 | LOWER HITCH PIN |
| 13 | 1 | 0812-1200 | HEX NUT, 3/8 |
| 14 | 4 | 1412-1200 | LOCK NUT, 3/8 STOVER ZP |
| 15 | 1 | 1412-3200 | LOCK NUT, 1 STOVER ZP |
| 16 | 1 | 1602-1200 | LOCK WASHER, 3/8 ZP |
| 17 | 1 | 2814-1212 | HEX HEAD BOLT, 3/8 X 1 1/4 GR 2 ZP |
| 18 | 4 | 2814-1220 | HEX HEAD BOLT, 3/8 X 2 GR 2 ZP |
| 19 | 1 | 2816-3270 | HEX HEAD BOLT, 1 X 7 GR5 ZP |

84-1005-94
9403 TOOLBAR ASSEMBLY



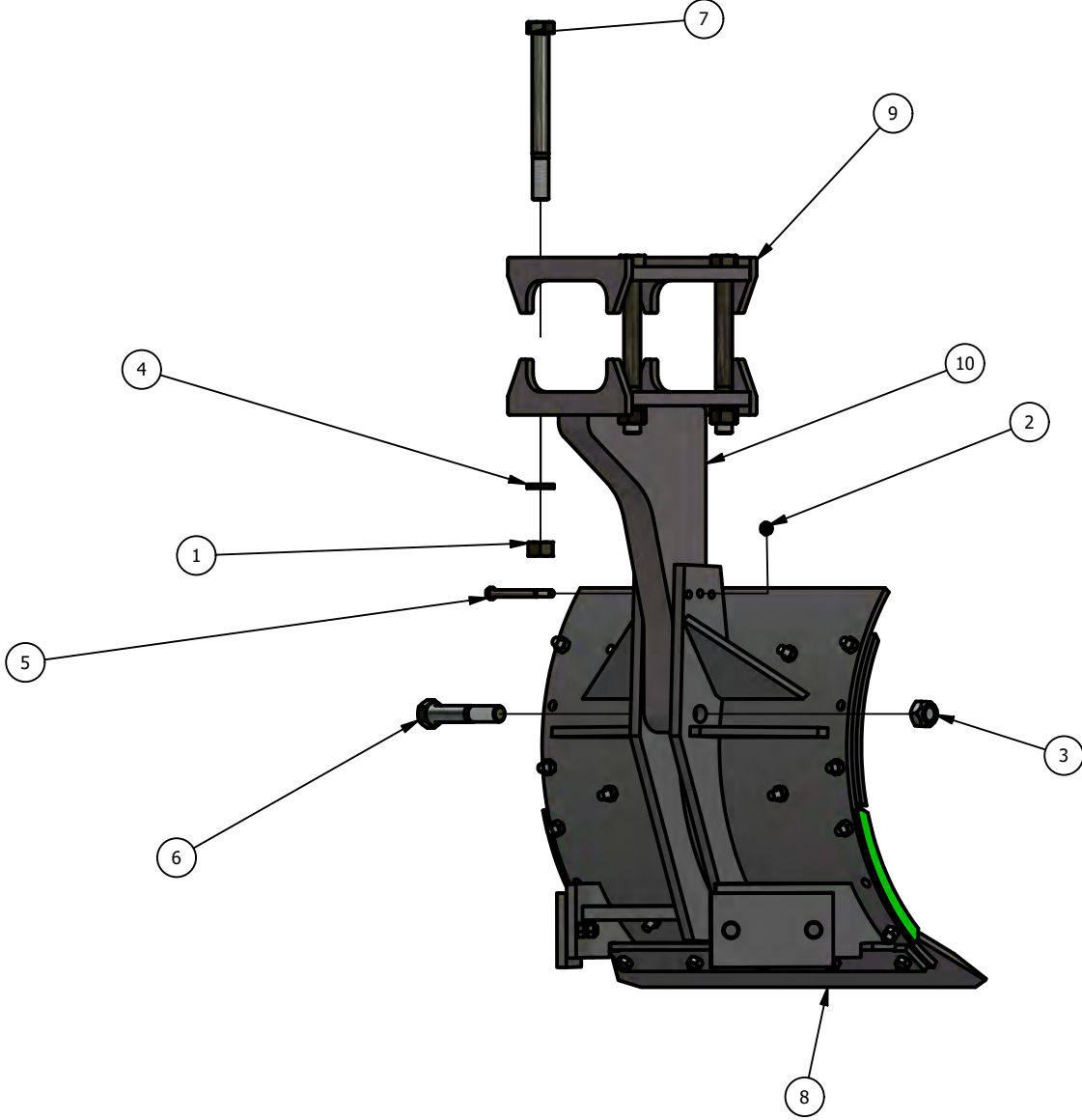
| ITEM | ITEM QTY | PART NUMBER | DESCRIPTION |
|------|----------|-------------|--|
| 1 | 1 | 72-001-94 | 9400 SWITCH PLOW - FRONT BOTTOM KIT |
| 2 | 1 | 72-002-63 | 6300 SWITCH PLOW - FORWARD INTERMEDIATE BOTTOM KIT |
| 3 | 1 | 72-005-63 | 6300 SWITCH PLOW - FORWARD REAR BOTTOM KIT |
| 4 | 2 | 79-203-36 | SLIDE WEAR PAD, FRONT SHANK |
| 5 | 1 | 83-004-63 | 6300, 9400 SWITCH PLOW - REAR GAUGE WHEEL BUNDLE |
| 6 | 1 | 85-1002-94 | TOOL BAR WELDMENT 6-BOTTOM |
| 7 | 4 | 0315-1414 | PLOW BOLT, 7/16x1-1/2 Gr5 |
| 8 | 4 | 0812-1400 | HEX NUT, 7/16 |
| 9 | 4 | 1702-1400 | FLAT WASHER, 7/16 ZP |

72-001-94
9400 SWITCH PLOW - FRONT BOTTOM KIT



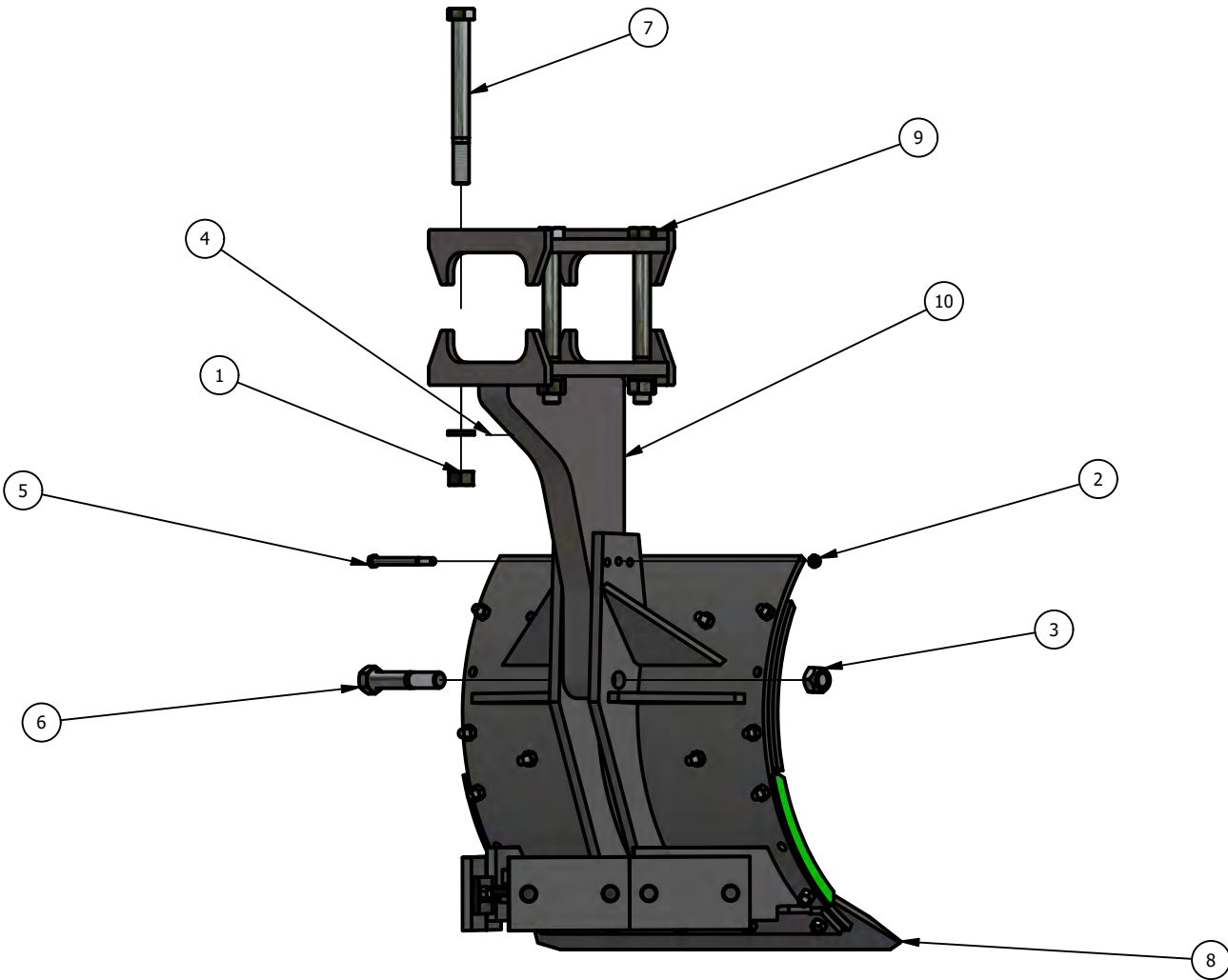
| ITEM | ITEM QTY | PART NUMBER | DESCRIPTION |
|------|----------|-------------|--|
| 1 | 1 | 83-003-36 | INTERMEDIATE MOLD BOARD W/ SHORT SLIDES - BUNDLE |
| 2 | 1 | 85-007-94 | GUIDE BRACKET WELDMENT |
| 3 | 1 | 85-222-36 | INTERMEDIATE SHANK WELDMENT |
| 4 | 4 | 0812-2800 | HEX NUT, 7/8 |
| 5 | 1 | 1412-1200 | LOCK NUT, 3/8 STOVER ZP |
| 6 | 1 | 1412-2800 | LOCK NUT, 7/8 STOVER ZP |
| 7 | 4 | 1602-2800 | LOCK WASHER, 7/8 ZP |
| 8 | 1 | 2816-1244 | HEX HEAD BOLT, 3/8 X 4 1/2 GR5 ZP |
| 9 | 1 | 2816-2850 | HEX HEAD BOLT, 7/8 X 5 GR5 ZP |
| 10 | 4 | 2816-2890 | HEX HEAD BOLT, 7/8 X 9 GR5 ZP |

72-002-63
6300 SWITCH PLOW - FORWARD INTERMEDIATE BOTTOM KIT



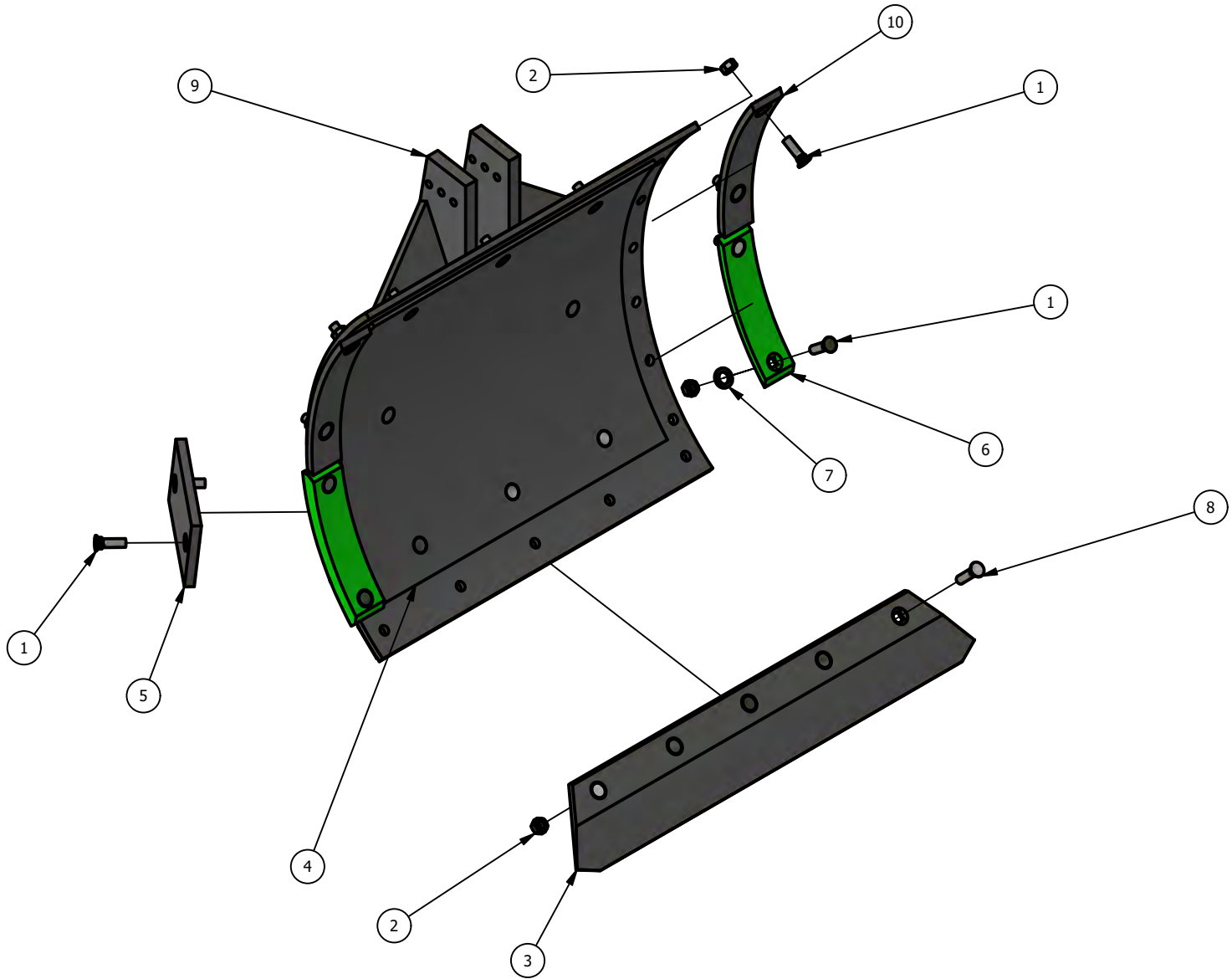
| ITEM | ITEM QTY | PART NUMBER | DESCRIPTION |
|------|----------|-------------|--|
| 1 | 4 | 0812-2800 | HEX NUT, 7/8 |
| 2 | 1 | 1412-1200 | LOCK NUT, 3/8 STOVER ZP |
| 3 | 1 | 1412-2800 | LOCK NUT, 7/8 STOVER ZP |
| 4 | 4 | 1602-2800 | LOCK WASHER, 7/8 ZP |
| 5 | 1 | 2816-1244 | HEX HEAD BOLT, 3/8 X 4 1/2 GR5 ZP |
| 6 | 1 | 2816-2850 | HEX HEAD BOLT, 7/8 X 5 GR5 ZP |
| 7 | 4 | 2816-2890 | HEX HEAD BOLT, 7/8 X 9 GR5 ZP |
| 8 | 1 | 83-003-36 | INTERMEDIATE MOLD BOARD W/ SHORT SLIDES - BUNDLE |
| 9 | 1 | 85-017-36 | TOP PLATE WELDMENT, 6" TOOL BAR |
| 10 | 1 | 85-222-36 | INTERMEDIATE SHANK WELDMENT |

72-005-63
6300 SWITCH PLOW - FORWARD REAR BOTTOM KIT



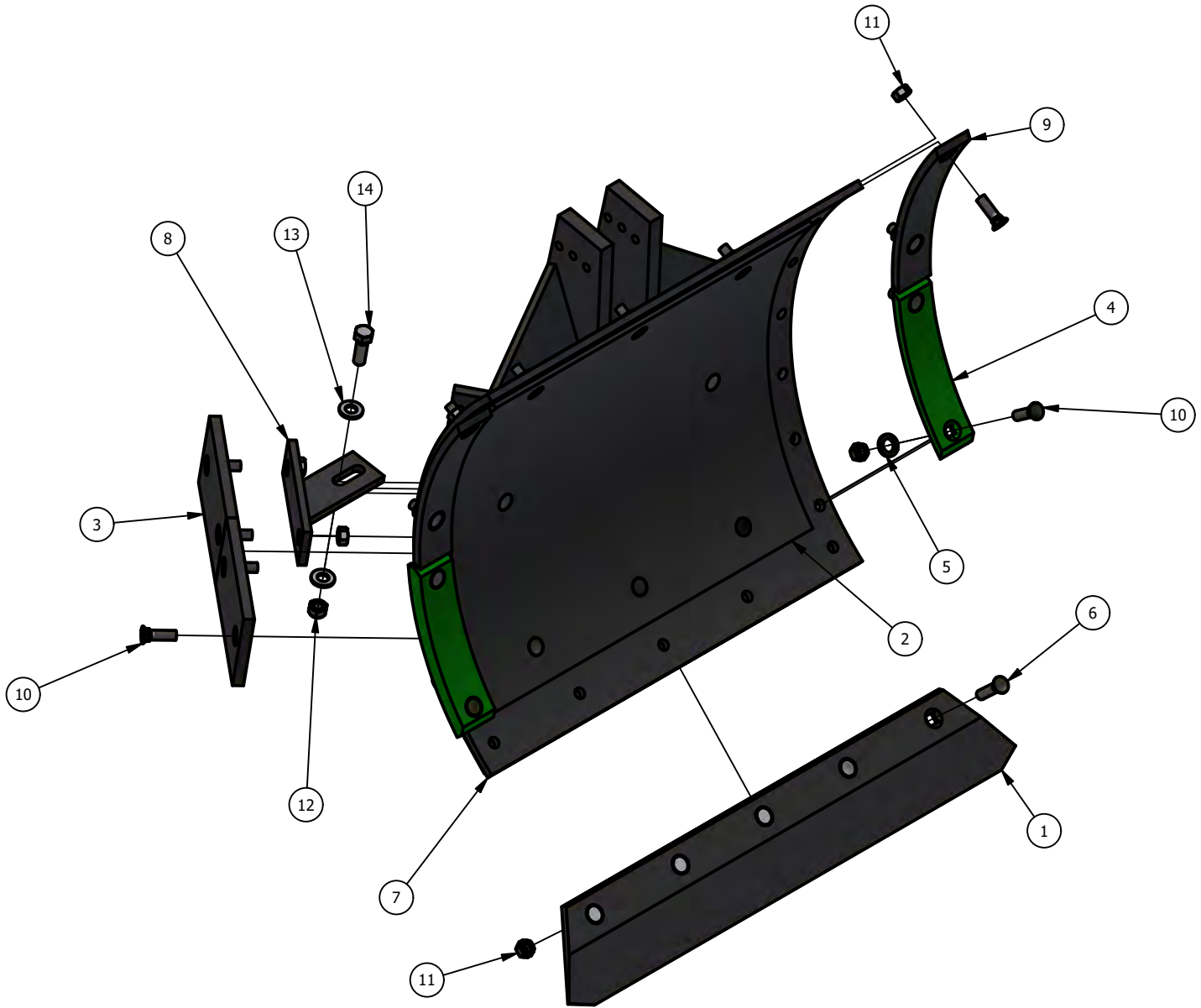
| ITEM | ITEM QTY | PART NUMBER | DESCRIPTION |
|------|----------|-------------|---|
| 1 | 4 | 0812-2800 | HEX NUT, 7/8 |
| 2 | 1 | 1412-1200 | LOCK NUT, 3/8 STOVER ZP |
| 3 | 1 | 1412-2800 | LOCK NUT, 7/8 STOVER ZP |
| 4 | 4 | 1602-2800 | LOCK WASHER, 7/8 ZP |
| 5 | 1 | 2816-1244 | HEX HEAD BOLT, 3/8 X 4 1/2 GR5 ZP |
| 6 | 1 | 2816-2850 | HEX HEAD BOLT, 7/8 X 5 GR5 ZP |
| 7 | 4 | 2816-2890 | HEX HEAD BOLT, 7/8 X 9 GR5 ZP |
| 8 | 1 | 83-206-36 | REAR MOLD BOARD W/ LONG SLIDES - BUNDLE |
| 9 | 1 | 85-017-36 | TOP PLATE WELDMENT, 6" TOOL BAR |
| 10 | 1 | 85-222-36 | INTERMEDIATE SHANK WELDMENT |

83-003-36 INTERMEDIATE MOLD BOARD W/ SHORT SLIDES - BUNDLE



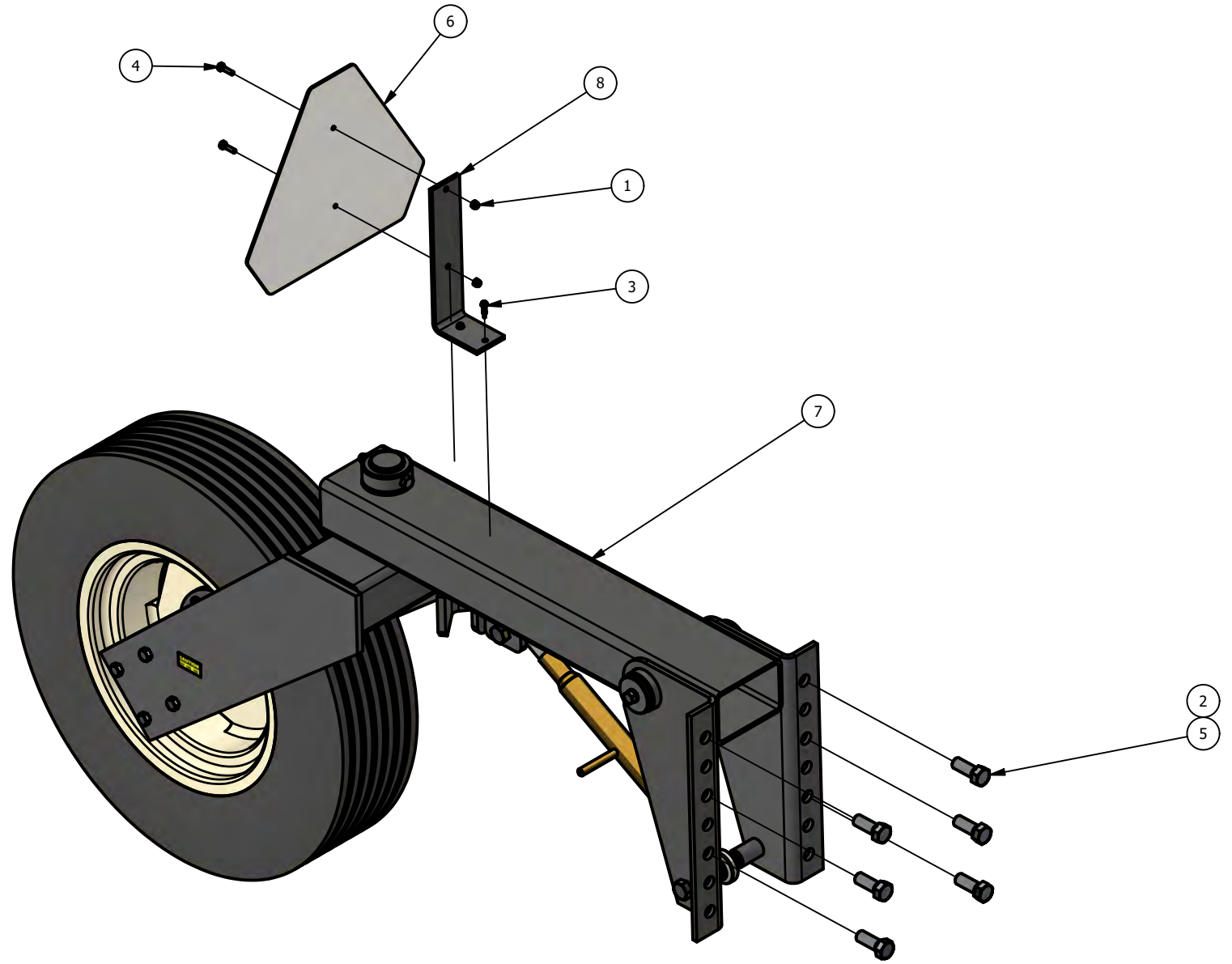
| ITEM | ITEM QTY | PART NUMBER | DESCRIPTION |
|------|----------|-------------|------------------------------------|
| 1 | 20 | 0315-1414 | PLOW BOLT, 7/16x1-1/2 Gr5 |
| 2 | 25 | 0812-1400 | HEX NUT, 7/16 |
| 3 | 1 | 79-006-36 | PLOW SHARE - HEAT TREATED |
| 4 | 1 | 79-201-36 | 1/4" UHMW PLASTIC WING |
| 5 | 2 | 79-204-36 | SMALL SLIDE - MULTI LIFE |
| 6 | 2 | 79-208-36 | LOWER WEAR SHIN |
| 7 | 4 | 79-218-36 | OICW - RUBBER WASHER |
| 8 | 5 | 79-483-36 | PLOW BOLT, 7/16 x 1 3/4, CLIP HEAD |
| 9 | 1 | 85-006-36 | MOLD BOARD WELDMENT |
| 10 | 2 | 98-207-36 | UPPER WEAR SHIN |

83-206-36
REAR MOLD BOARD W/ LONG SLIDES - BUNDLE



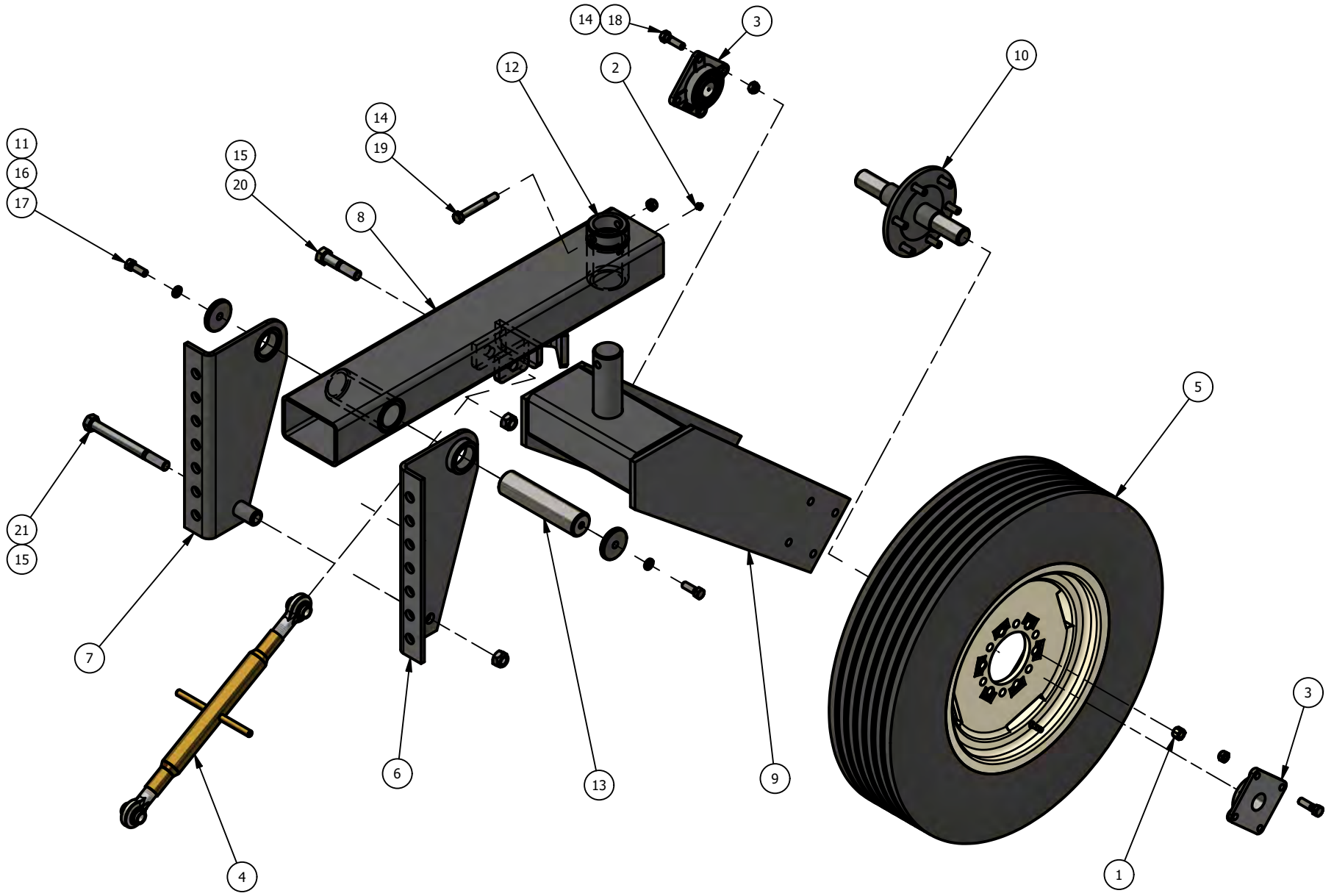
| ITEM | ITEM QTY | PART NUMBER | DESCRIPTION |
|------|----------|-------------|------------------------------------|
| 1 | 1 | 79-006-36 | PLOW SHARE - HEAT TREATED |
| 2 | 1 | 79-201-36 | 1/4" UHMW PLASTIC WING |
| 3 | 2 | 79-205-36 | LONG SLIDE - MULTI-LIFE |
| 4 | 2 | 79-208-36 | LOWER WEAR SHIN |
| 5 | 4 | 79-218-36 | OICW - RUBBER WASHER |
| 6 | 5 | 79-483-36 | PLOW BOLT, 7/16 x 1 3/4, CLIP HEAD |
| 7 | 1 | 85-006-36 | MOLD BOARD WELDMENT |
| 8 | 2 | 85-217-36 | LONG SLIDE BRACE WELDMENT |
| 9 | 2 | 98-207-36 | UPPER WEAR SHIN |
| 10 | 24 | 0315-1414 | PLOW BOLT, 7/16x1-1/2 Gr5 |
| 11 | 29 | 0812-1400 | HEX NUT, 7/16 |
| 12 | 1 | 1412-1600 | LOCK NUT, 1/2 STOVER ZP |
| 13 | 2 | 1702-1600 | FLAT WASHER, 1/2 ZP |
| 14 | 1 | 2816-1614 | HEX HEAD BOLT, 1/2 X 1 1/2 GR5 ZP |

83-004-63
6300, 9400 SWITCH PLOW - REAR GAUGE WHEEL BUNDLE



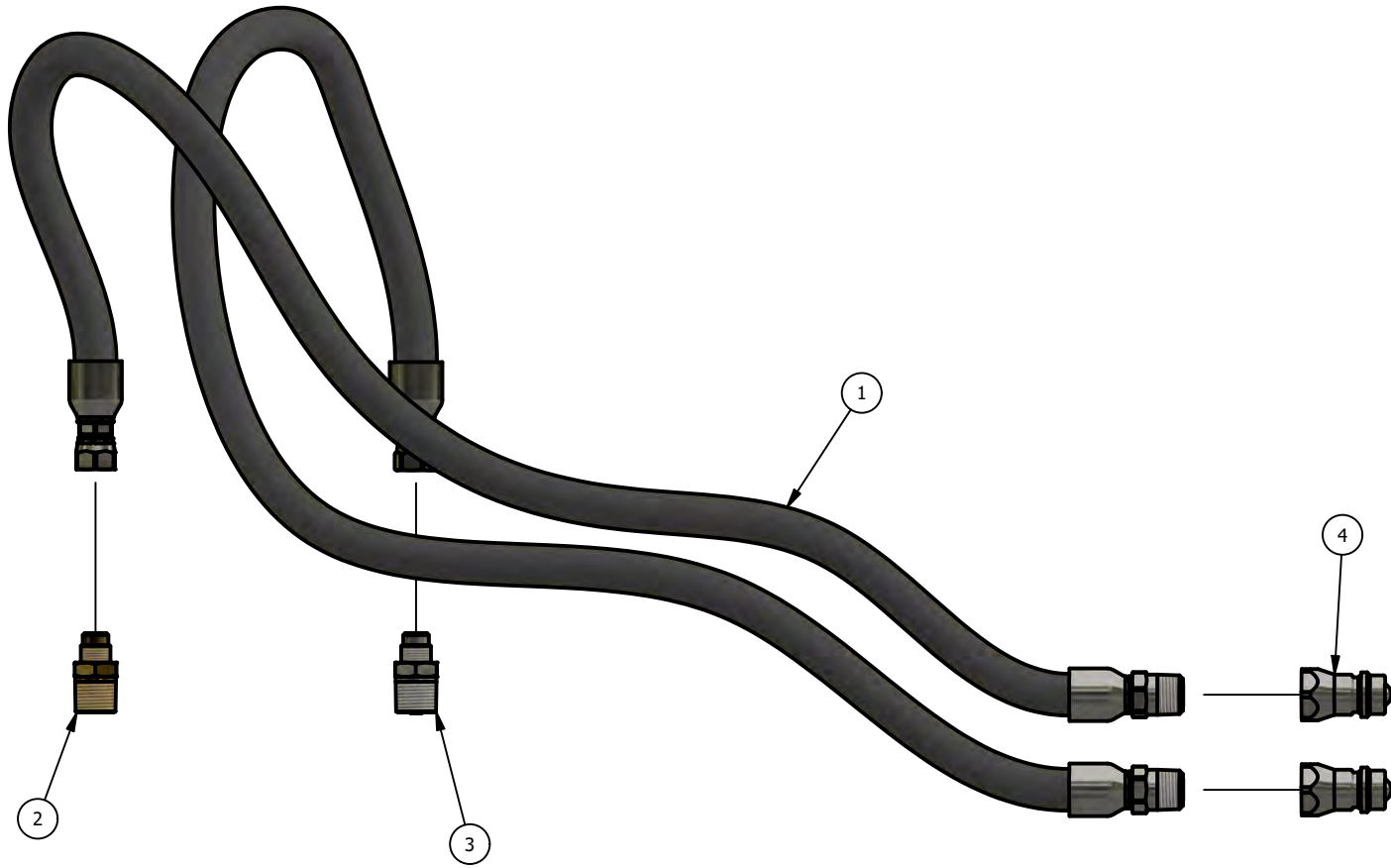
| ITEM | ITEM QTY | PART NUMBER | DESCRIPTION |
|------|----------|-------------|--------------------------------|
| 1 | 2 | 0912-0800 | LOCK NUT, 1/4 NYLOCK ZP |
| 2 | 6 | 1412-2400 | LOCK NUT, 3/4 STOVER ZP |
| 3 | 2 | 1913-1010 | SELF TAP SCREW, 12X1 |
| 4 | 2 | 2816-0810 | HEX HEAD BOLT, 1/4 X 1 GR5 ZP |
| 5 | 6 | 2816-2420 | HEX HEAD BOLT, 3/4 X 2 GR5 ZP |
| 6 | 1 | 79-001-01M | SLOW MOVING VEHICLE SIGN |
| 7 | 1 | 84-1000-63 | REAR GAUGE WHEEL MAIN ASSEMBLY |
| 8 | 1 | 93-1020-63 | SMV BRACKET |

84-1000-63 REAR GAUGE WHEEL MAIN ASSEMBLY



| ITEM | ITEM QTY | PART NUMBER | DESCRIPTION |
|------|----------|-------------|--|
| 1 | 6 | 77-024-88 | 1/2" 90° NUT, SAE GRADE 8 |
| 2 | 1 | 79-005-38 | 1/8" NPT GREASE FITTING |
| 3 | 2 | 79-277-06 | 4 HOLE FLANGE BEARING, 1-7/16" BORE - PICTORIAL |
| 4 | 1 | 79-297-82 | ADJUSTABLE TOP LINK |
| 5 | 1 | 84-1001-63 | REAR GAUGE WHEEL - TIRE, WHEEL & VALVE STEM ASSEMBLY |
| 6 | 1 | 85-1001-63 | REAR GAUGE WHEEL MOUNT - LH WELDMENT |
| 7 | 1 | 85-1002-63 | REAR GAUGE WHEEL MOUNT - RH WELDMENT |
| 8 | 1 | 85-1003-63 | REAR GAUGE WHEEL ARM WELDMENT |
| 9 | 1 | 85-1004-63 | REAR GAUGE WHEEL YOKE WELDMENT |
| 10 | 1 | 85-1005-63 | GAUGE WHEEL HUB & AXLE WELDMENT |
| 11 | 2 | 93-1006-63 | GAUGE WHEEL ARM PIN CAP |
| 12 | 1 | 94-1002-63 | GAUGE WHEEL & PIVOT ROLLER RETAINER BUSHING |
| 13 | 1 | 96-1000-63 | GAUGE WHEEL ARM PIN |
| 14 | 9 | 1412-1600 | LOCK NUT, 1/2 STOVER ZP |
| 15 | 2 | 1412-2400 | LOCK NUT, 3/4 STOVER ZP |
| 16 | 2 | 1602-1600 | LOCK WASHER, 1/2 ZP |
| 17 | 2 | 2816-1614 | HEX HEAD BOLT, 1/2 X 1 1/2 GR5 ZP |
| 18 | 8 | 2816-1616 | HEX HEAD BOLT, 1/2 X 1 3/4 GR5 ZP |
| 19 | 1 | 2816-1640 | HEX HEAD BOLT, 1/2 X 4 GR5 ZP |
| 20 | 1 | 2816-2434 | HEX HEAD BOLT, 3/4 X 3 1/2 GR5 ZP |
| 21 | 1 | 2816-2480 | HEX HEAD BOLT, 3/4 X 8 GR5 ZP |

84-1003-94
9400 HYDRAULIC HOSE ASSEMBLY





| ITEM | ITEM QTY | PART NUMBER | DESCRIPTION |
|------|----------|--------------|--|
| 1 | 2 | 79-011-28 | 3/8 DIA. X 66" HYDRAULIC HOSE & FITTINGS |
| 2 | 1 | 79-213-28 | 1/2 MORB TO 3/8 ADAPTOR MJIC |
| 3 | 1 | 79-213-28-WO | 1/2 MORB TO 3/8 ADAPTOR MJIC WITH ORFICE |
| 4 | 2 | 79-482-36 | QUICK-CONNECT |



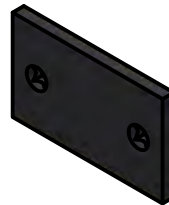
79-006-36
PLOW SHARE - HEAT TREATED



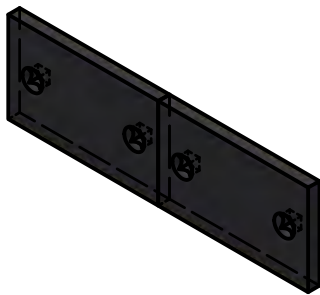
79-061-36
3/8" LYNCH PIN



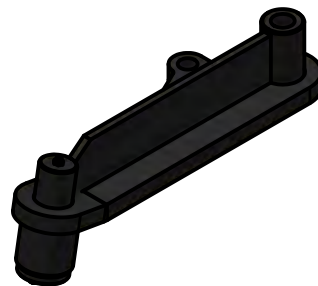
79-201-36
1/4" UHMW PLASTIC WING



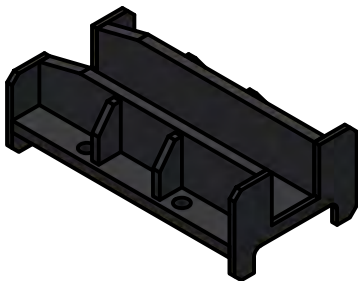
79-204-36
SMALL SLIDE - MULTI LIFE



79-205-36
LONG SLIDE - MULTI-LIFE



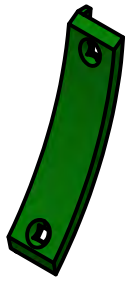
85-005-94
LOCK ARM WELDMENT



85-007-94
GUIDE BRACKET WELDMENT



84-1002-94
PIVOT PIN WELDMENT ASSEMBLY



79-208-36
LOWER WEAR SHIN



98-207-36
UPPER WEAR SHIN



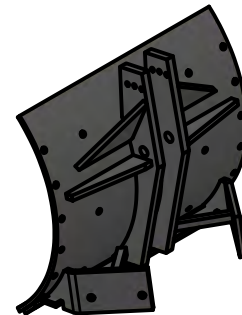
79-482-36
QUICK-CONNECT



84-001-36
WHEEL, TIRE & VALVE STEM ASSEMBLY



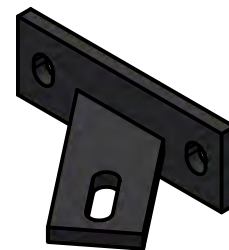
79-1002-63
SLIDE WEAR PAD FOR FRONT SHANK



85-006-36
MOLD BOARD WELDMENT



85-029-36
UPPER HITCH PIN WELDMENT



85-217-36
LONG SLIDE BRACE WELDMENT



85-222-36
INTERMEDIATE SHANK WELDMENT



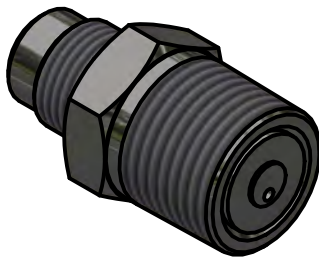
93-1006-63
GAUGE WHEEL ARM PIN CAP



96-1000-63
GAUGE WHEEL ARM PIN



96-015-36
LOWER HITCH PIN



79-213-28-WO
1/2 MORB TO 3/8 ADAPTOR MJIC WITH ORFICE



79-213-28
1/2 MORB TO 3/8 ADAPTOR MJIC



79-297-82
ADJUSTABLE TOP LINK