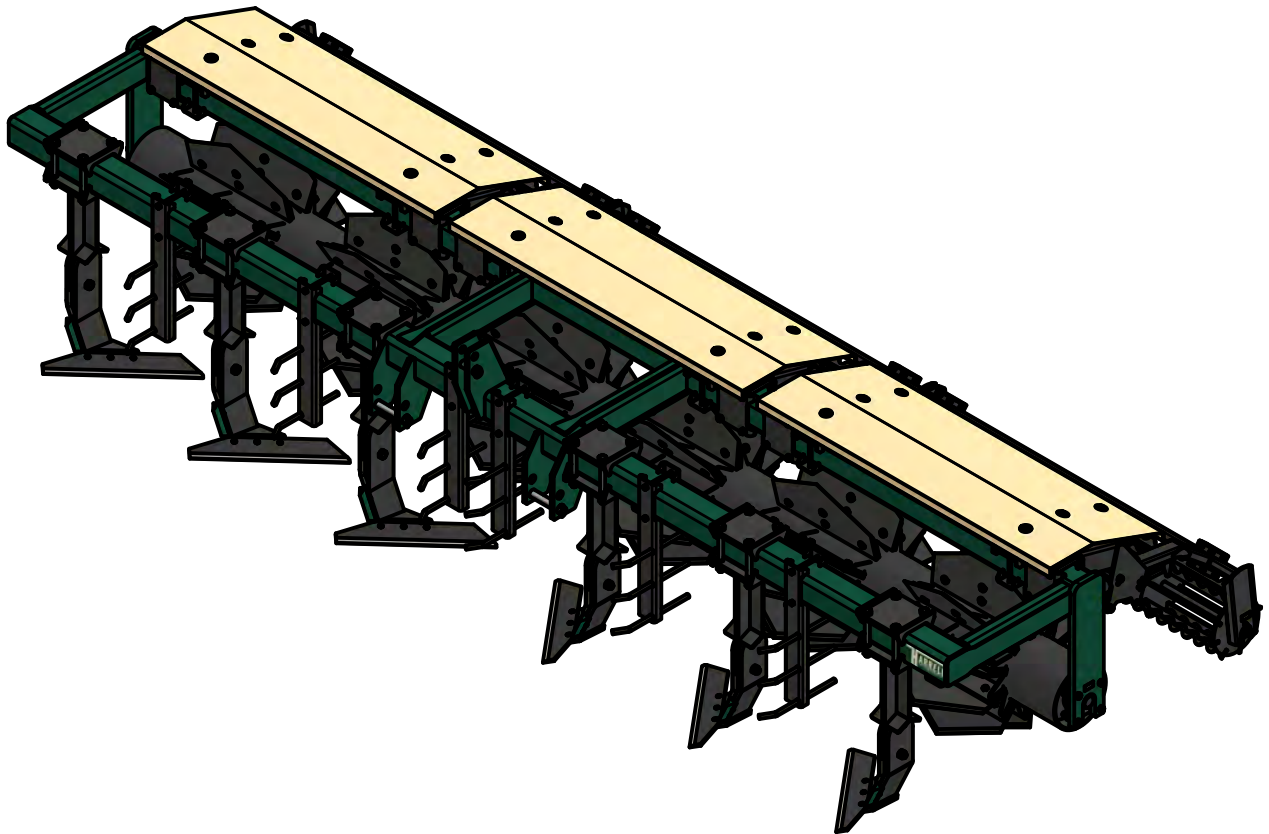




7506 CROP CHOPPER



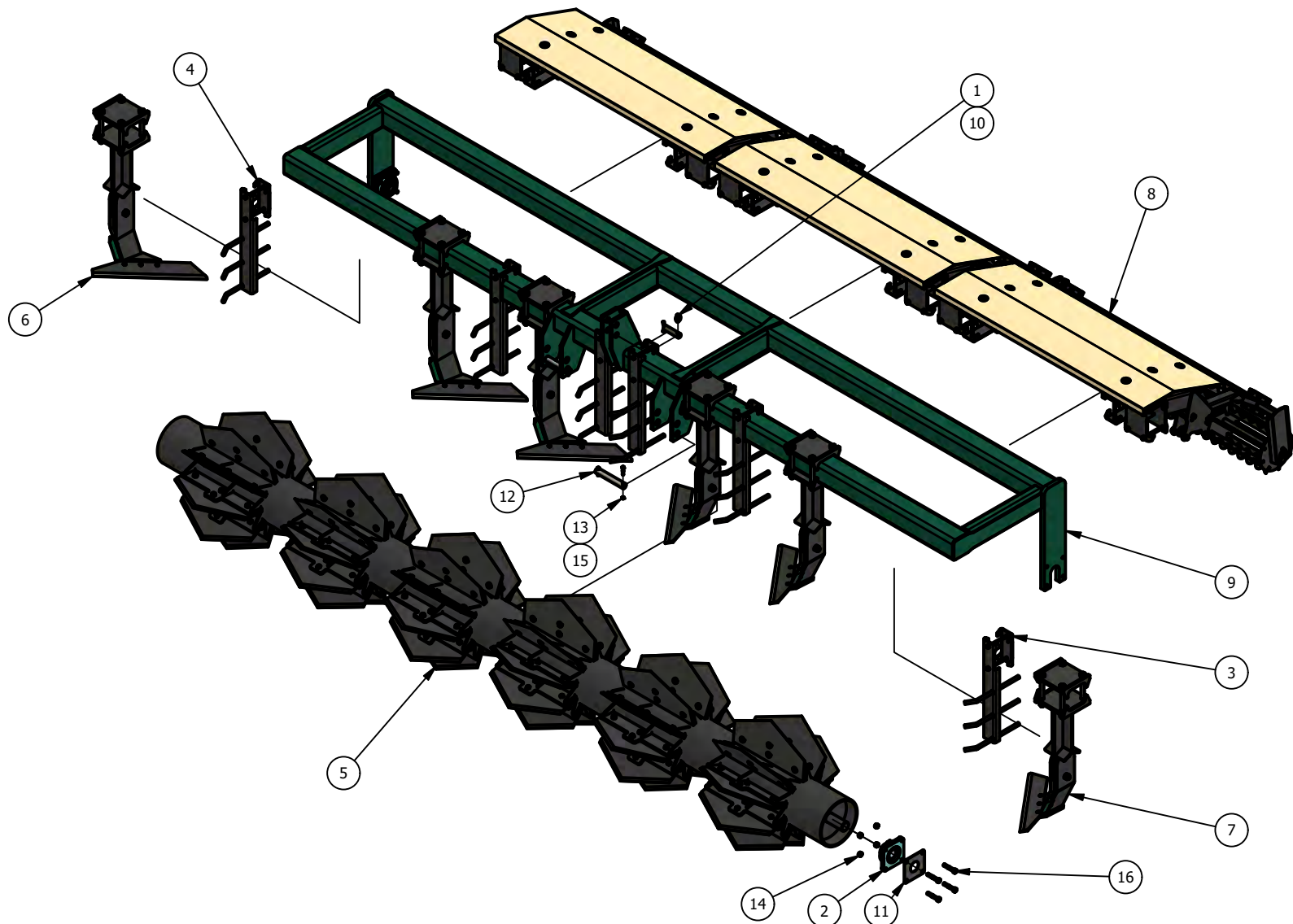
216 INDUSTRIAL BLVD., RAMP 2
BAINBRIDGE, GA 39817
(229) 246-0350
www.harrellag.com

75-PM-002-01

TABLE OF CONTENTS

84-022-75.....	7506 CROP CHOPPER 36"	4
84-004-75.....	CROP CHOPPER ROW GUIDE ASSEMBLY RH.....	6
84-005-75.....	CROP CHOPPER ROW GUIDE ASSEMBLY LH	8
84-013-75.....	SHANK ASSEMBLY RH	10
84-027-75.....	SHANK ASSEMBLY LH.....	12
84-1027-75.....	SHIELD & HANGER ASSEMBLY	14
84-1022-75.....	BASKET ASSEMBLY	16
84-1026-75.....	SHIELD & ARM ASSEMBLY.....	18
84-030-75.....	SHIELD ASSEMBLY	20
84-1021-75.....	SPRING ARM ASSEMBLY.....	22

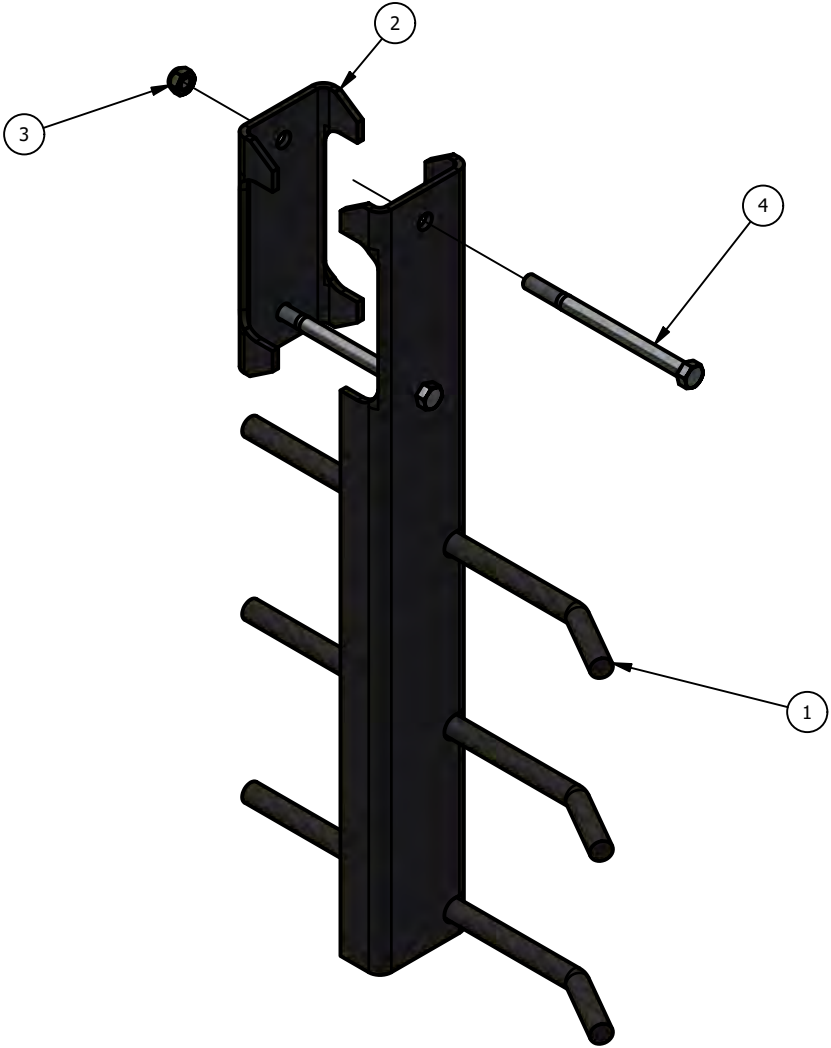
84-022-75 CROP CHOPPER, 6 ROW @ 36", FULL



75-PM-002-01
4 of 25

ITEM	ITEM QTY	PART NUMBER	DESCRIPTION
1	1	79-061-36	3/8" LYNCH PIN
2	2	79-070-90	4 BOLT FLANGE BEARING
3	3	84-004-75	CROP CHOPPER ROW GUIDE ASSEMBLY - LH
4	3	84-005-75	CROP CHOPPER ROW GUIDE ASSEMBLY - RH
5	1	84-013-75	DRUM, 6 ROW @ 36", STD
6	3	84-027-75	SHANK ASSEMBLY, RH
7	3	84-028-75	SHANK ASSEMBLY LH
8	3	84-1027-75	SHIELD & HANGER ASSEMBLY, 4R & 6R 36"-38"
9	1	85-020-75	FRAME WELDMENT (6 ROW)
10	1	85-029-36	UPPER HITCH PIN WELDMENT
11	2	93-008-75	DRUM RETAINER PLATE
12	2	96-001-75	LOWER HITCH PIN
13	4	1412-1200	LOCK NUT, 3/8 STOVER ZP
14	8	1412-2000	LOCK NUT, 5/8 STOVER ZP
15	4	2816-1220	HEX HEAD BOLT, 3/8 X 2 GR5 ZP
16	8	2816-2034	HEX HEAD BOLT, 5/8 X 3 1/2 GR5 ZP

84-004-75 CROP CHOPPER ROW GUIDE ASSEMBLY - LH



ITEM	ITEM QTY	PART NUMBER	DESCRIPTION
1	1	85-026-75	CROP CHOPPER ROW GUIDE - LH
2	1	93-028-75	CLAMP PLATE, ROW GUIDE
3	2	1412-1600	LOCK NUT, 1/2 STOVER ZP
4	2	2816-1670	HEX HEAD BOLT, 1/2x7, GR5 ZP

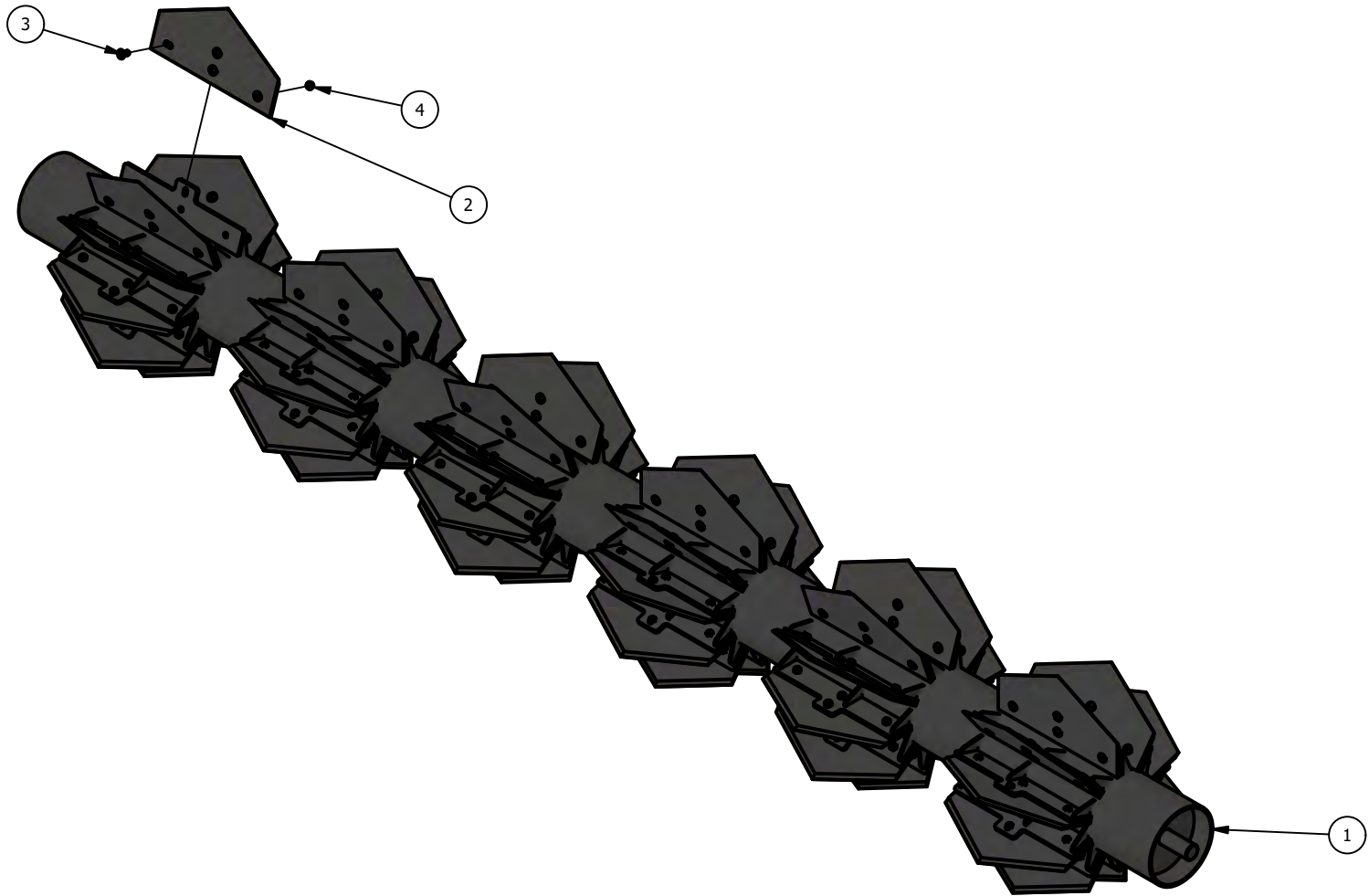
84-005-75 CROP CHOPPER ROW GUIDE ASSEMBLY - RH





ITEM	ITEM QTY	PART NUMBER	DESCRIPTION
1	1	85-025-75	CROP CHOPPER ROW GUIDE - RH
2	1	93-028-75	CLAMP PLATE, ROW GUIDE
3	2	1412-1600	LOCK NUT, 1/2 STOVER ZP
4	2	2816-1670	HEX HEAD BOLT, 1/2x7, GR5 ZP

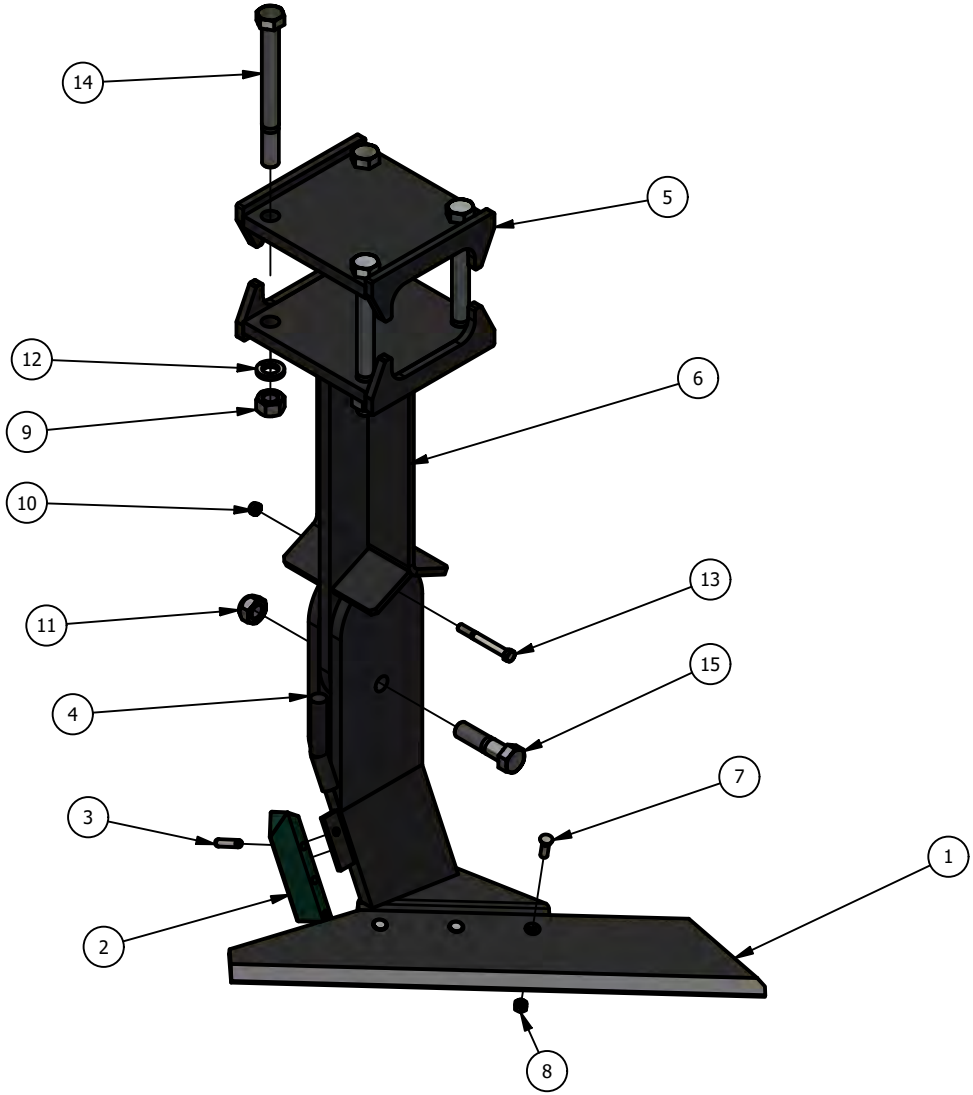
84-013-75
DRUM, 6 ROW @ 36", STD





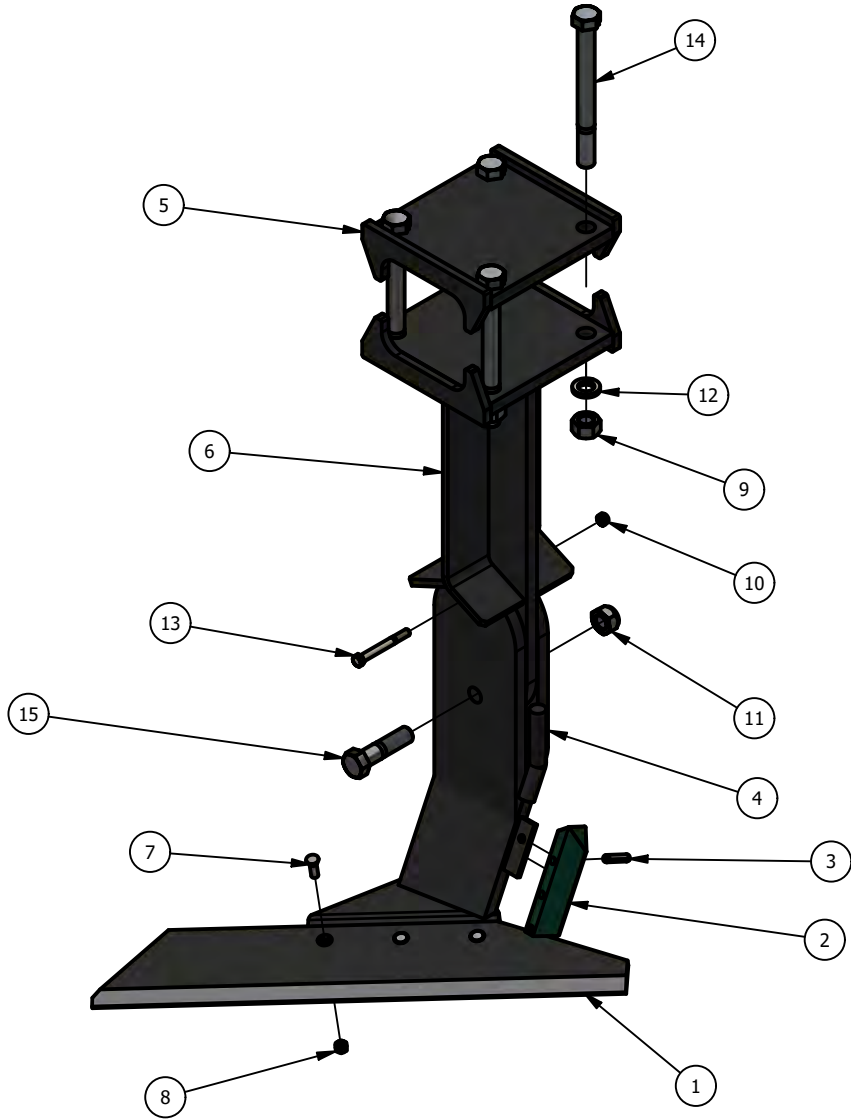
ITEM	ITEM QTY	PART NUMBER	DESCRIPTION
1	1	85-015-75	DRUM WELDMENT (6 ROW @ 36")
2	60	93-014-75	BLADE, 24" ('12 & LATER)
3	240	0516-2014	CARRIAGE BOLT, 5/8X1-1/2
4	240	1412-2000	LOCK NUT, 5/8 STOVER ZP

84-027-75 SHANK ASSEMBLY, RH



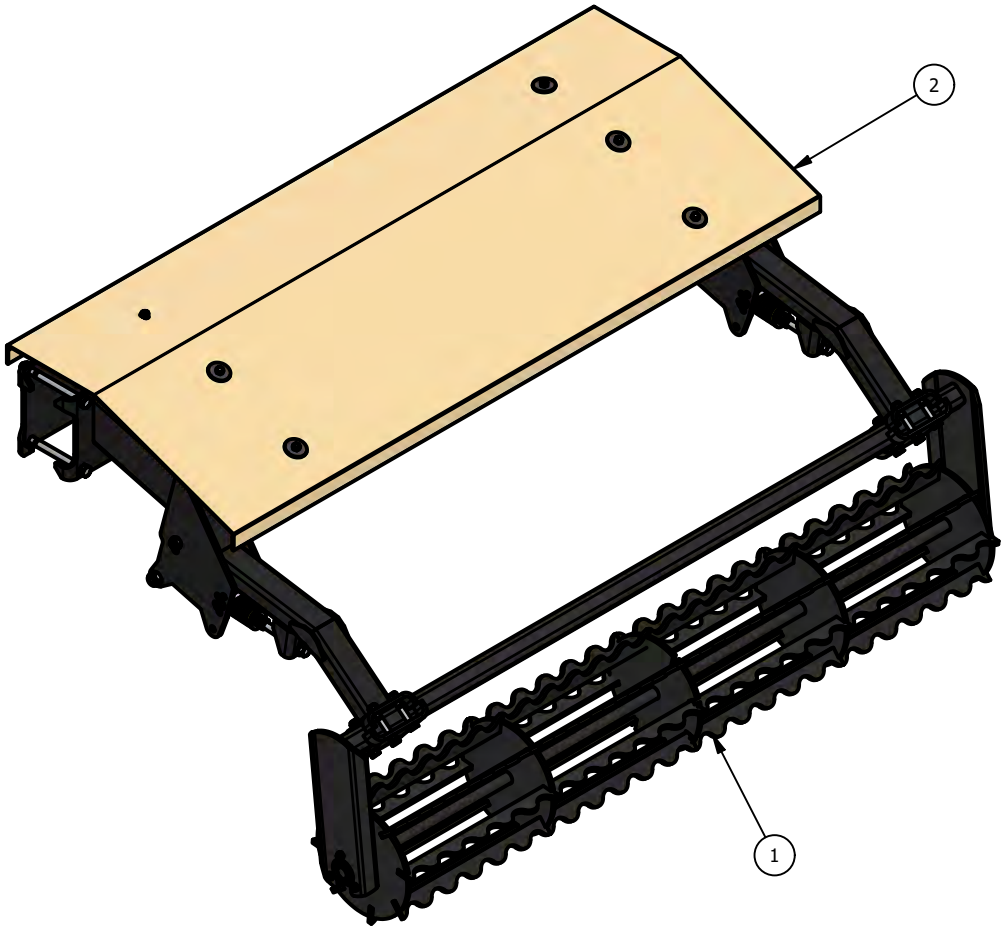
ITEM	ITEM QTY	PART NUMBER	DESCRIPTION
1	1	79-005-75	BLADE, FOOT RH
2	1	79-019-75	WEAR SHIN, RH
3	1	79-444-06	ROLL PIN, 3/8" X 1-3/4"
4	1	85-003-75-T	CROP CHOPPER FOOT WELDMENT - RH
5	1	85-017-36	TOP PLATE WELDMENT, 6" TOOL BAR
6	1	85-027-75	CHOPPER, UPPER SHANK
7	3	0315-1212	PLOW BOLT, 3/8 X 1 1/4
8	3	0812-1200	HEX NUT, 3/8
9	4	0812-2800	HEX NUT, 7/8
10	1	1412-1200	LOCK NUT, 3/8 STOVER ZP
11	1	1412-2800	LOCK NUT, 7/8 STOVER ZP
12	4	1602-2800	LOCK WASHER, 7/8 ZP
13	1	2816-1234	HEX HEAD BOLT, 3/8 X 3 1/2 GR5 ZP
14	4	2816-2890	HEX HEAD BOLT, 7/8 X 9 GR5 ZP
15	1	2818-2834	HEX HEAD BOLT, 7/8 X 3 1/2 GR 8

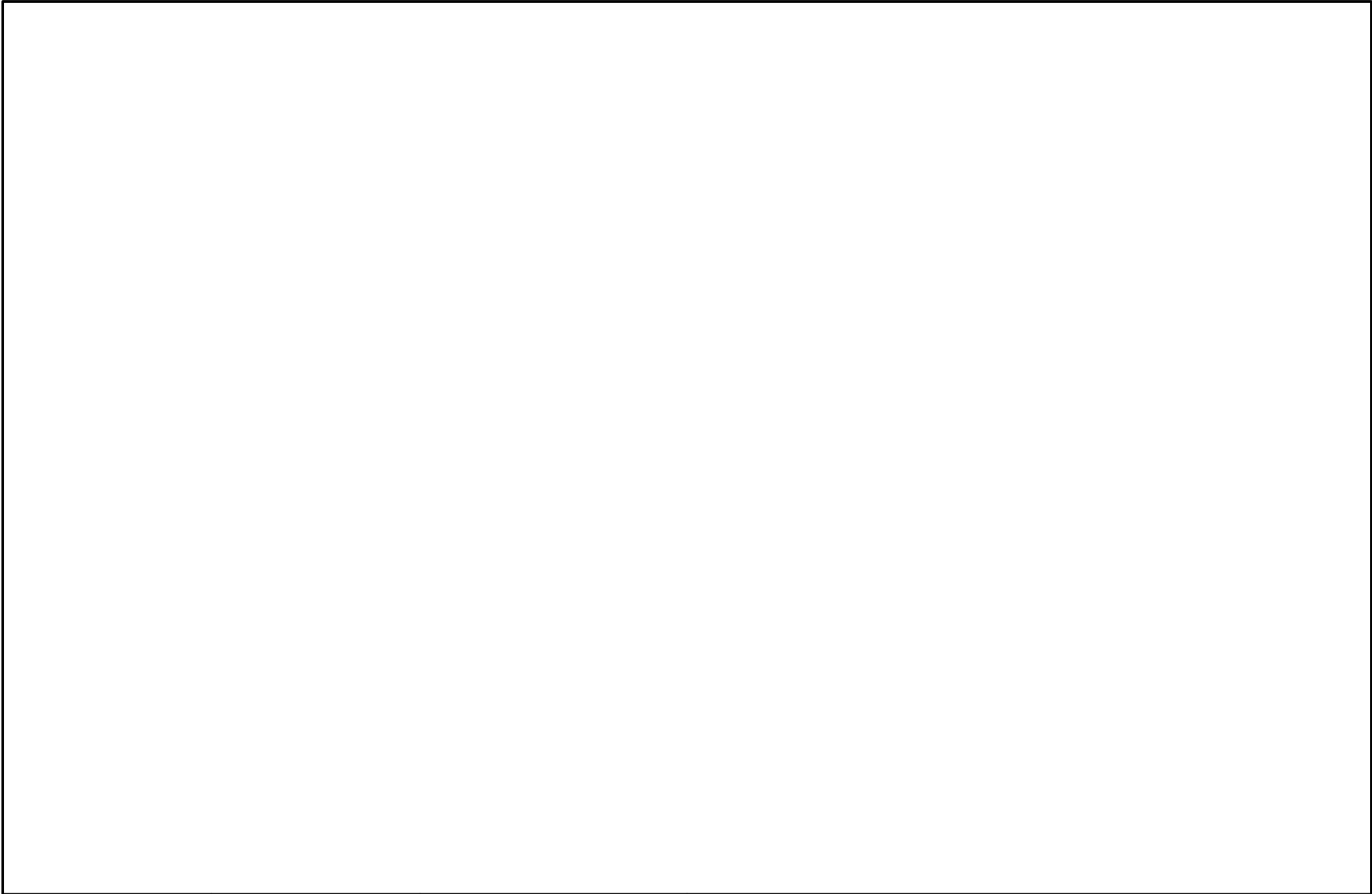
84-028-75 SHANK ASSEMBLY LH



ITEM	ITEM QTY	PART NUMBER	DESCRIPTION
1	1	79-006-75	BLADE, FOOT LH
2	1	79-020-75	WEAR SHIN, LH
3	1	79-444-06	ROLL PIN, 3/8" X 1-3/4"
4	1	85-004-75 T-A	CROP CHOPPER FOOT WELDMENT - LH
5	1	85-017-36	TOP PLATE WELDMENT, 6" TOOL BAR
6	1	85-027-75	CHOPPER, UPPER SHANK
7	3	0315-1212	PLOW BOLT, 3/8 X 1 1/4
8	3	0812-1200	HEX NUT, 3/8
9	4	0812-2800	HEX NUT, 7/8
10	1	1412-1200	LOCK NUT, 3/8 STOVER ZP
11	1	1412-2800	LOCK NUT, 7/8 STOVER ZP
12	4	1602-2800	LOCK WASHER, 7/8 ZP
13	1	2816-1234	HEX HEAD BOLT, 3/8 X 3 1/2 GR5 ZP
14	4	2816-2890	HEX HEAD BOLT, 7/8 X 9 GR5 ZP
15	1	2818-2834	HEX HEAD BOLT, 7/8 X 3 1/2 GR 8

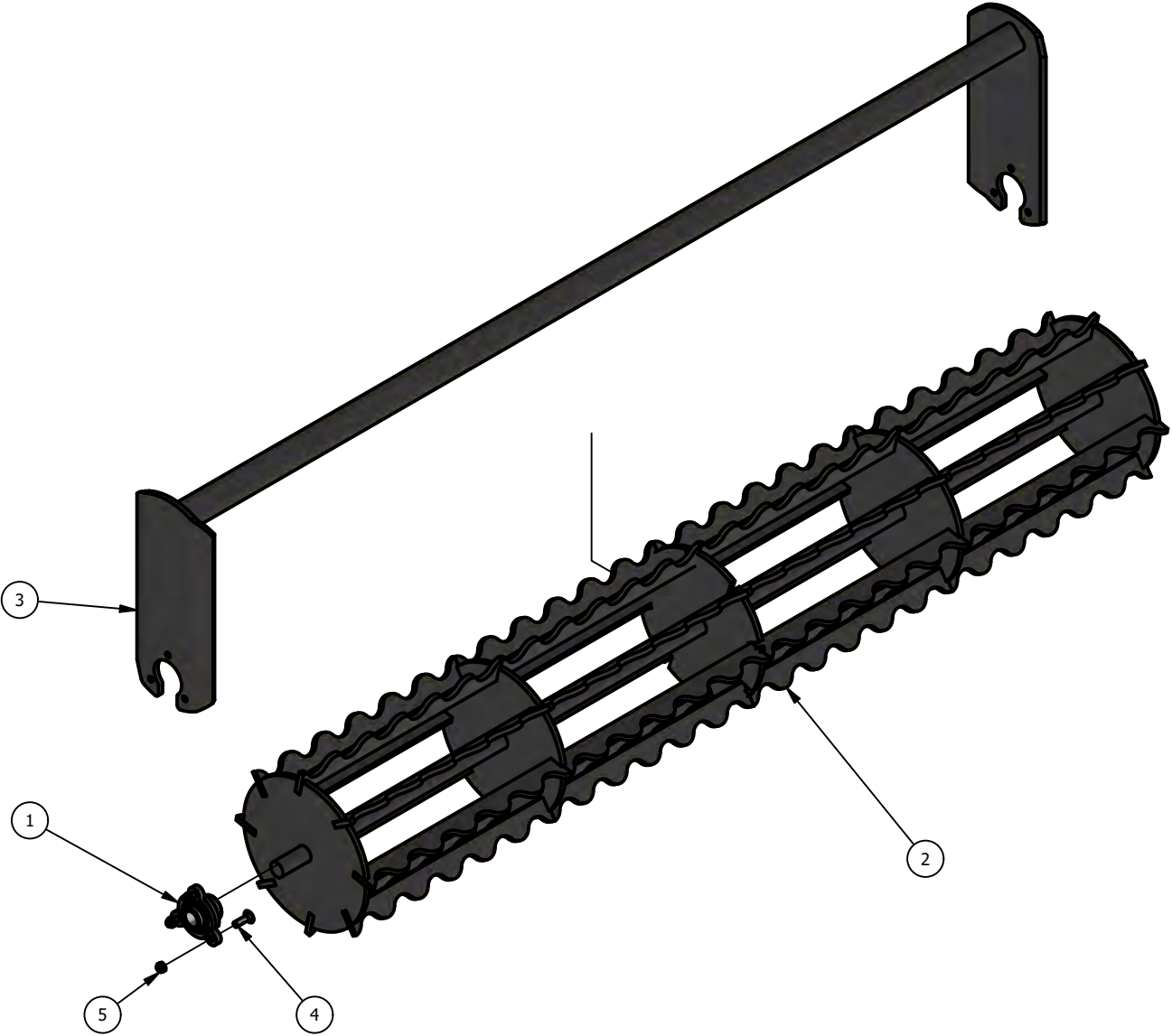
84-1027-75
SHIELD & HANGER ASSEMBLY, 4R & 6R 36"-38"

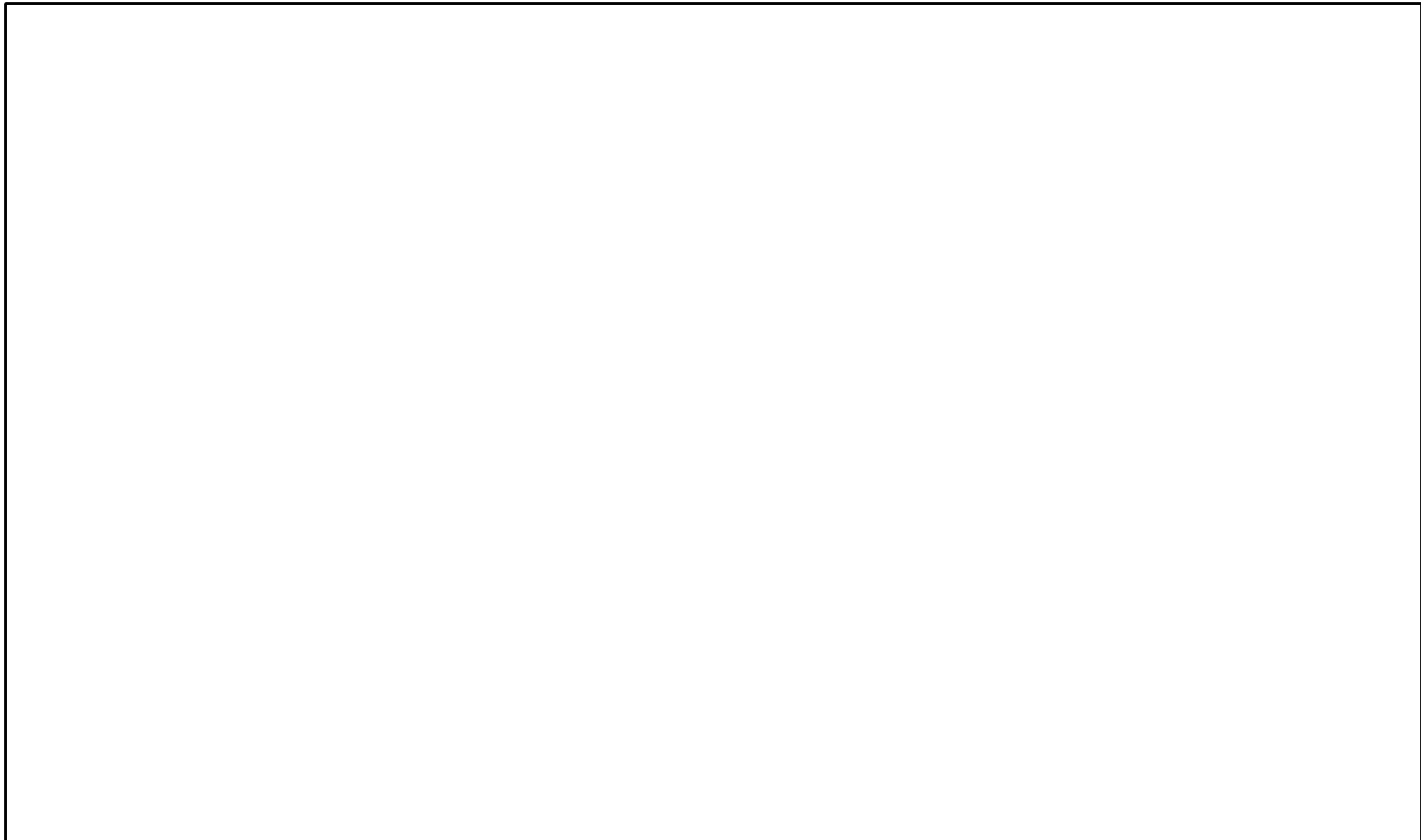




ITEM	ITEM QTY	PART NUMBER	DESCRIPTION
1	1	84-1022-75	BASKET & HANGER ASSEMBLY - 4R , 36"
2	1	84-1026-75	BASKET ARM & SHEILD ASSY, 4R & 6R 36"-38"

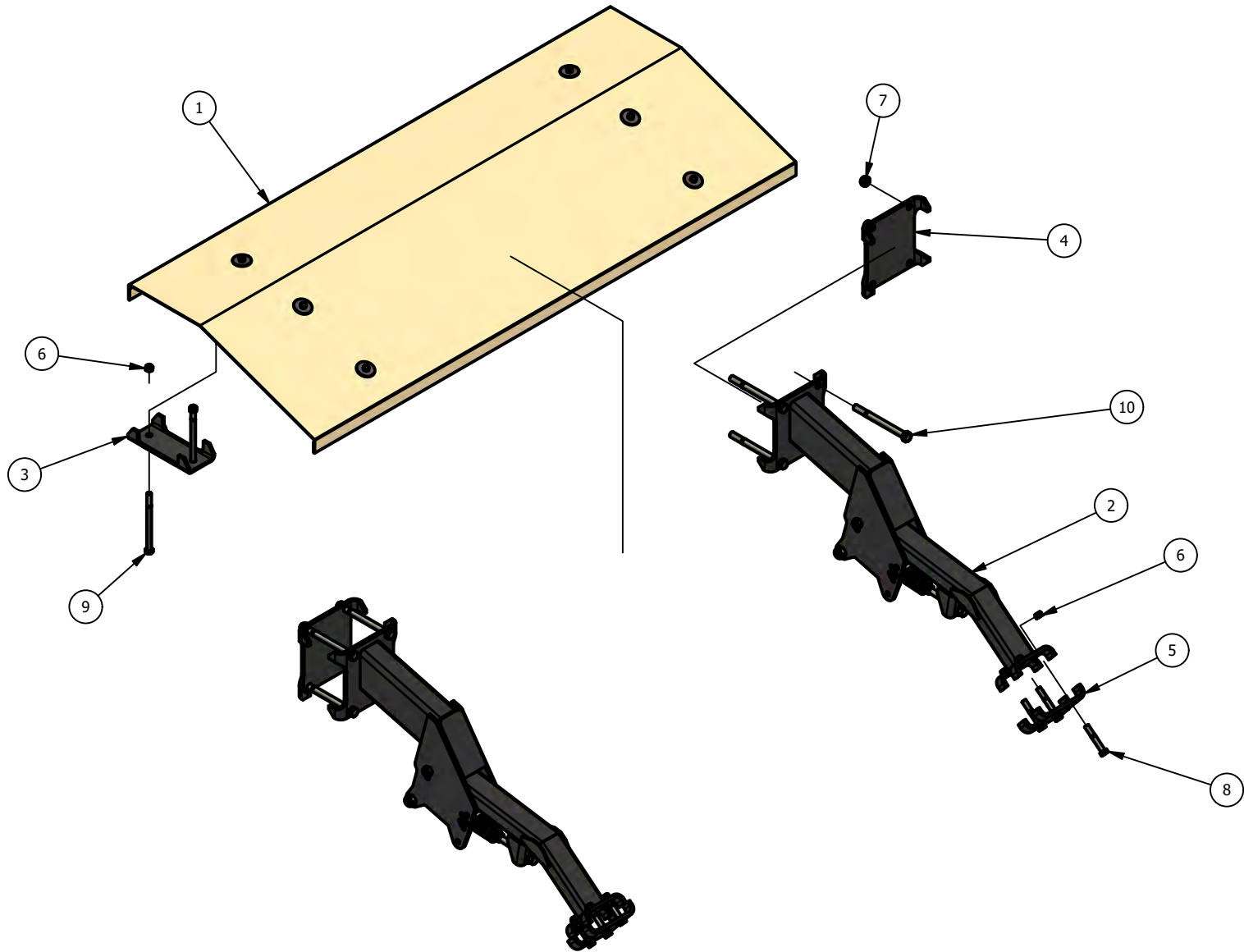
84-1022-75
BASKET & HANGER ASSEMBLY - 4R , 36"





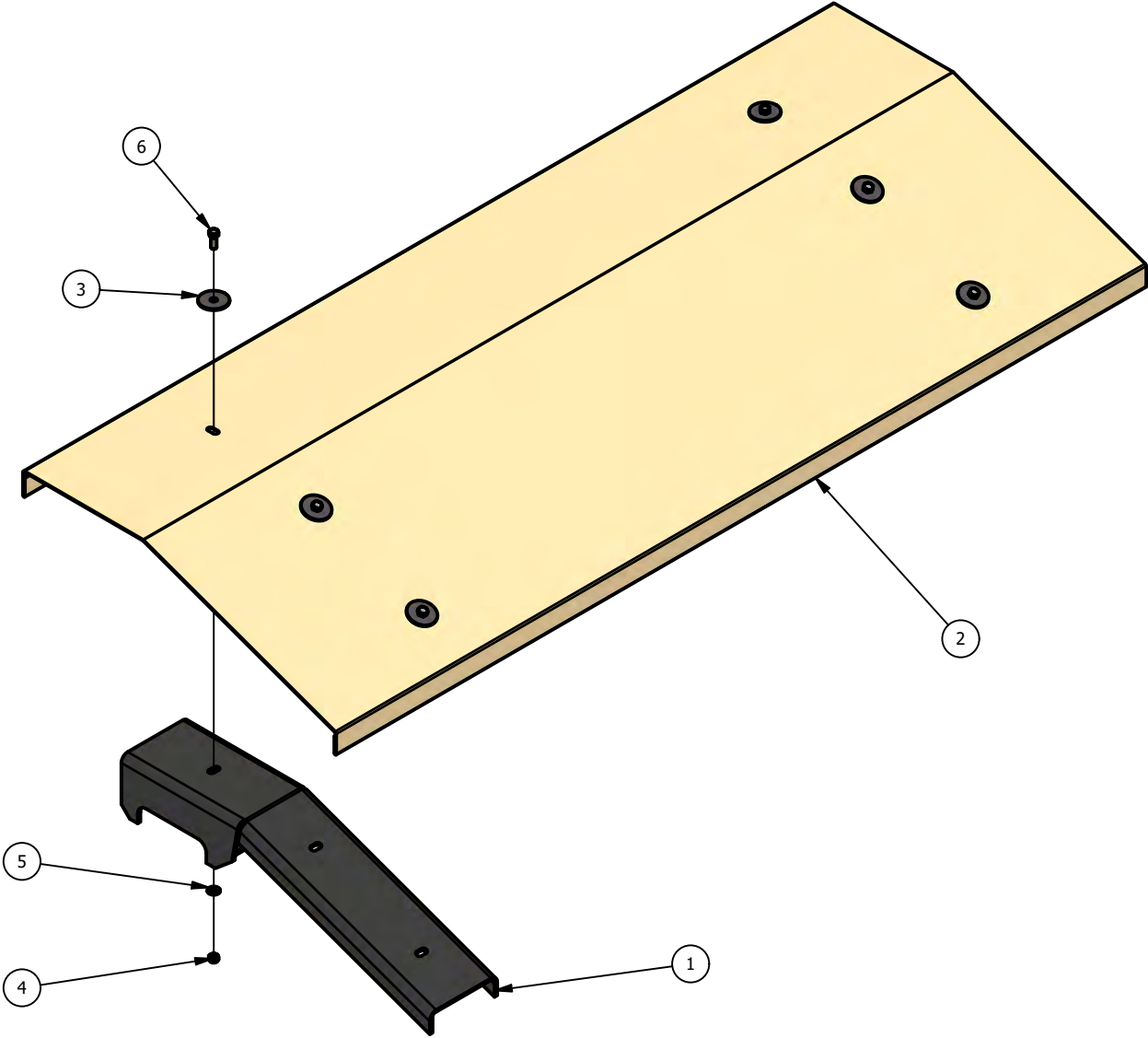
ITEM	ITEM QTY	PART NUMBER	DESCRIPTION
1	2	79-026-75	BEARING - 3 BOLT FLANGE , 1-1/8" BORE, TRIPLE SEAL W/ LOCKING COLLAR
2	1	85-1028-75	BASKET WELDMENT
3	1	85-1029-75	BASKET HANGER WELDMENT
4	6	0514-1212	CARRIAGE BOLT, 3/8 X 1-1/4 ZP
5	6	1412-1200	LOCK NUT, 3/8 STOVER ZP

84-1026-75 BASKET ARM & SHEILD ASSY, 4R & 6R 36"-38"



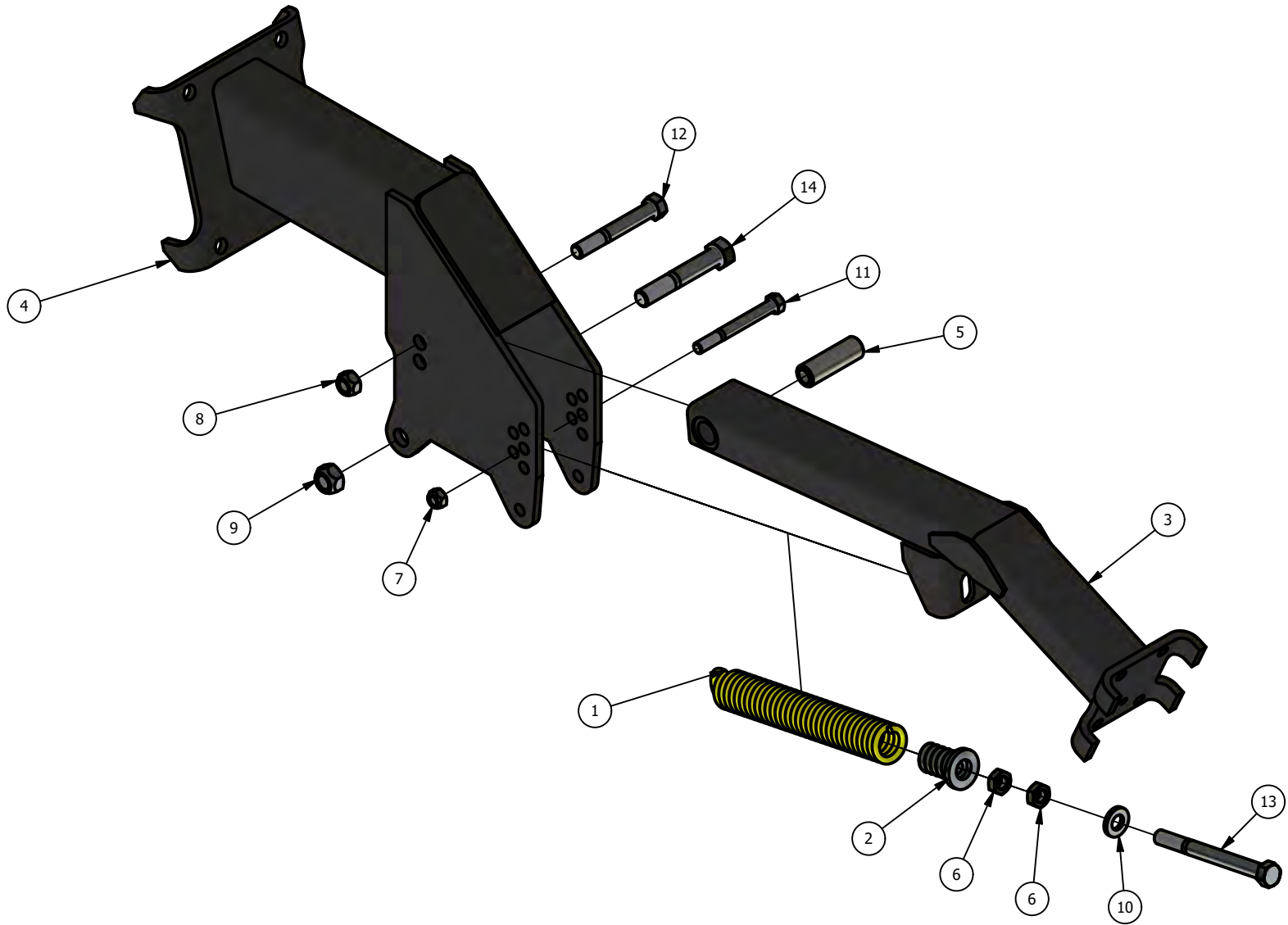
ITEM	ITEM QTY	PART NUMBER	DESCRIPTION
1	1	84-030-75	SHEILD, CHOPPER FULL COVER
2	2	84-1021-75	BASKET SPRING PIVOT ARM ASSEMBLY
3	2	93-028-75	CLAMP PLATE, ROW GUIDE
4	2	93-1030-75	TOOL BAR CLAMP
5	2	93-1034-75	PIVOT ARM BRACKET CLAMP
6	12	1412-1600	LOCK NUT, 1/2 STOVER ZP
7	8	1412-2000	LOCK NUT, 5/8 STOVER ZP
8	8	2816-1632	HEX HEAD BOLT, 1/2 X 3 1/4 GR5 ZP
9	4	2816-1672	HEX HEAD BOLT, 1/2 X 7 1/4 GR5 ZP
10	8	2816-2074	HEX HEAD BOLT, 5/8 X 7-1/2 GR5 ZP

84-030-75 SHEILD, CHOPPER FULL COVER



ITEM	ITEM QTY	PART NUMBER	DESCRIPTION
1	2	85-028-75	BRACKET, CHOPPER SHEILD MOUNT
2	1	93-033-75	SHEILD, CHOPPER 72" FULL COVER
3	6	93-073-75	SHIELD WASHER
4	6	1412-1200	LOCK NUT, 3/8 STOVER ZP
5	6	1702-1200	FLAT WASHER, 3/8 ZP
6	6	2816-1210	HEX HEAD BOLT, 3/8 X 1 GR5 ZP

84-1021-75 BASKET SPRING PIVOT ARM ASSEMBLY



ITEM	ITEM QTY	PART NUMBER	DESCRIPTION
1	1	79-011-15	SPRING ASSEMBLY
2	1	79-012-15	SPRING INSERT
3	1	85-1025-75	PIVOT ARM WELDMENT
4	1	85-1027-75	PIVOT ARM SUPPORT WELDMENT
5	1	94-1008-75	ROUND BUSHING
6	2	1012-2200	JAM NUT, 5/8 ZP
7	1	1412-1600	LOCK NUT, 1/2 STOVER ZP
8	1	1412-2000	LOCK NUT, 5/8 STOVER ZP
9	1	1412-2400	LOCK NUT, 3/4 STOVER ZP
10	1	1702-2000	FLAT WASHER, 5/8 ZP
11	1	2816-1644	HEX HEAD BOLT, 1/2 X 4 1/2 GR5 ZP
12	1	2816-2044	HEX HEAD BOLT, 5/8 X 4 1/2 GR5 ZP
13	1	2816-2064	HEX HEAD BOLT, 5/8 X 6 1/2 GR5 ZP
14	1	2816-2444	HEX HEAD BOLT, 3/4 X 4 1/2 GR5 ZP